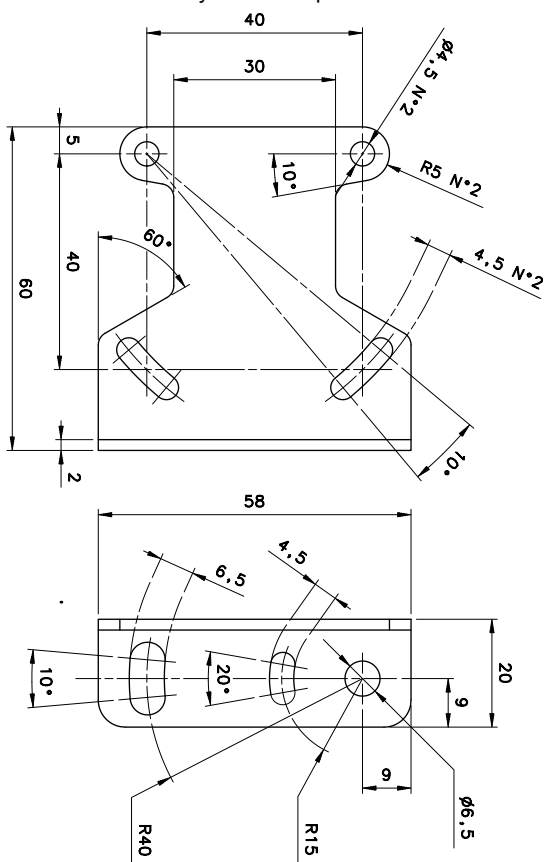


DIMENSIONS

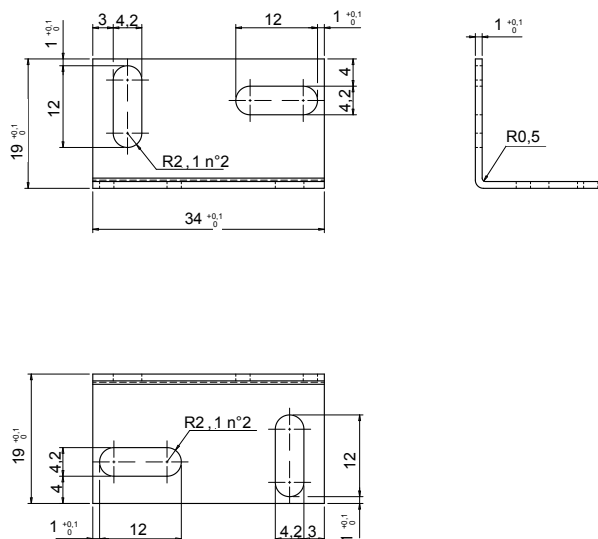
ST-504

S6 fixing brackets
material: yellow zinc-plated steel



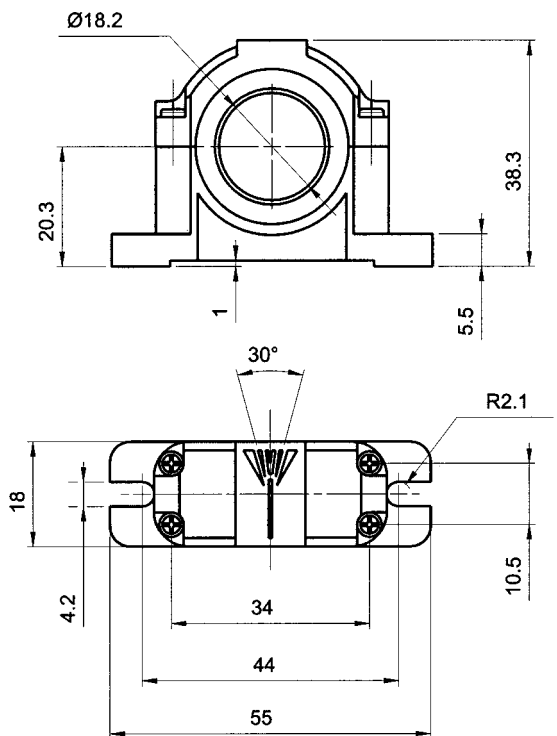
ST-505

S3/S40/S41 fixing bracket
material: yellow zinc-plated steel



SWING-18

adjustable support for plastic tubular M18 sensors
material: black dilamid



SP-40

fixed support for tubular M18 sensors
material: black durethan

