

ifm electronic

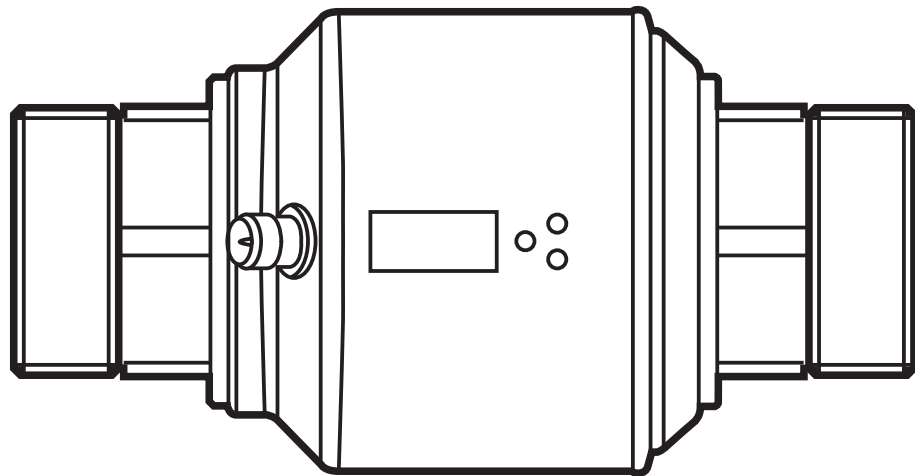


Operating instructions
Magnetic-inductive flow meter

efector300[®]

SM0510

UK



80012178 / 00 05 / 2014

Contents

1	Preliminary note.....	4
1.1	Symbols used	4
1.2	Warning signs used	5
2	Safety instructions	5
3	Functions and features	6
4	Function.....	6
4.1	Measuring principle for volumetric flow monitoring.....	6
4.2	Processing of the measured signals.....	7
4.3	Volumetric flow monitoring.....	8
4.3.1	Volumetric flow quantity.....	8
4.3.2	Direction of flow	8
4.4	Consumed quantity monitoring (totaliser function)	8
4.4.1	Consumed quantity monitoring with pulse output.....	9
4.4.2	Consumed quantity monitoring with preset counter	9
4.5	Temperature monitoring.....	10
4.6	Empty pipe detection	10
4.7	Volumetric flow or temperature monitoring / switching function.....	11
4.7.1	Hysteresis function	11
4.7.2	Window function	11
4.8	Volumetric flow or temperature monitoring / analogue function.....	12
4.8.1	Current output.....	12
4.8.2	Voltage output.....	13
4.9	Volumetric flow monitoring / frequency output.....	14
4.10	Start-up delay	14
4.11	Low flow cut-off (LFC).....	16
4.12	Simulation	16
5	Installation.....	17
5.1	Recommended installation position	17
5.2	Not recommended installation position.....	19
5.3	Grounding	20
5.4	Installation in pipes	20
6	Electrical connection.....	21
7	Operating and display elements	22

8	Menu	23
8.1	Process value display	23
8.2	Main menu	24
8.2.1	Explanation main menu	25
8.3	Extended functions – Basic settings	26
8.3.1	Explanation extended functions (EF)	27
8.3.2	Submenu basic settings (CFG)	27
8.4	Extended functions – Min/max memory – Empty pipe – Simulation	28
8.4.1	Explanation extended functions (EF)	29
8.4.2	Submenu min/max memory (MEM)	29
8.4.3	Submenu empty pipe (EPD)	29
8.4.4	Submenu simulation (SIM)	29
9	Set-up	30
10	Parameter setting	30
10.1	IO-Link	31
10.1.1	General information	31
10.1.2	Device-specific information	31
10.1.3	Parameter setting tools	31
10.2	Parameter setting in general	32
10.2.1	Switching between the menu levels	33
10.2.2	Locking / unlocking	33
10.2.3	Timeout	33
10.3	Settings for consumed quantity monitoring	33
10.3.1	Settings for limit value monitoring with OUT1	33
10.3.2	Settings for limit value monitoring with OUT2	34
10.3.3	Setting the analogue value for volumetric flow	34
10.3.4	Setting the frequency value for volumetric flow	34
10.4	Settings for consumed quantity monitoring	34
10.4.1	Settings for quantity monitoring via pulse output	34
10.4.2	Settings for quantity monitoring via the preset counter	35
10.4.3	Setting the pulse value	35
10.4.4	Manual counter reset	35
10.4.5	Time-controlled counter-reset	36
10.4.6	Deactivation of the counter reset	36
10.4.7	Configure counter reset using an external signal	36
10.5	Settings for temperature monitoring	36

UK

10.5.1	Settings for limit value monitoring with OUT2.....	36
10.5.2	Setting the analogue value for temperature	36
10.6	User settings (optional).....	37
10.6.1	Setting of the standard unit of measurement for volumetric flow.....	37
10.6.2	Configuration of the standard display	37
10.6.3	Changing the direction of the flow rate measurement.....	37
10.6.4	Setting the output logic	37
10.6.5	Setting the start-up delay.....	37
10.6.6	Setting the measured value damping	37
10.6.7	Setting the error behaviour of the outputs	38
10.6.8	Configuring the empty pipe detection as diagnostic output.....	38
10.6.9	Activating / deactivating empty pipe detection.....	38
10.6.10	Time-delay empty pipe detection.....	38
10.6.11	Setting of the empty pipe detection	39
10.6.12	Setting the counting method of the totaliser	39
10.6.13	Setting the low flow cut-off.....	39
10.7	Service functions	39
10.7.1	Reading the min/max values for the volumetric flow	39
10.7.2	Reading the min/max values for the temperature.....	39
10.7.3	Simulation menu.....	40
10.7.4	Resetting all parameters to factory setting	40
11	Operation	41
11.1	Reading the process value	41
11.2	Reading the parameter value.....	42
11.3	Error indications.....	43
12	Technical data.....	43
13	Factory setting	44

1 Preliminary note

1.1 Symbols used

- ▶ Instructions
- > Reaction, result
- [...] Designation of pushbuttons, buttons or indications
- Cross-reference



Important note

Non-compliance can result in malfunction or interference.



Information

Supplementary note.

1.2 Warning signs used

CAUTION

Warning of personal injury.

Slight reversible injuries may result.

UK

2 Safety instructions

- Please read this document prior to set-up of the unit. Ensure that the product is suitable for your application without any restrictions.
- If the operating instructions or the technical data are not adhered to, personal injury and/or damage to property can occur.
- Improper or non-intended use may lead to malfunctions of the unit or to unwanted effects in your application. That is why installation, electrical connection, set-up, operation and maintenance of the unit must only be carried out by qualified personnel authorised by the machine operator.
- In order to guarantee the correct condition of the device for the operating time it is necessary to use the device only for media to which the wetted materials are sufficiently resistant (→ Technical data).
- The responsibility whether the measurement devices are suitable for the respective application lies with the operator. The manufacturer assumes no liability for consequences of misuse by the operator. Improper installation and use of the devices result in a loss of the warranty claims.
- For medium temperatures above 50 °C some parts of the housing can heat up to over 65 °C. Moreover, during installation or in case of a fault (e.g. housing damage) media under high pressure or hot media can leak from the system. To avoid personal injury, take the following measures:
 - ▶ Install the unit according to the applicable rules and regulations.
 - ▶ Ensure that the system is free of pressure during installation.

- ▶ Protect the housing against contact with flammable substances and unintentional contact. To do so, equip the unit with suitable protection (e.g. protective cover).
- ▶ Do not press the pushbuttons manually; instead use another object (e.g. ballpoint pen).

3 Functions and features

Pressure Equipment Directive (PED): The units comply with section 3, article 3 of the Directive 97/23/EC and must be designed and manufactured for non-superheated liquids of group 2 fluids in accordance with the sound engineering practice.

The unit monitors liquid media.

The unit detects the 3 process categories volumetric flow quantity, consumed quantity and medium temperature.

Application area

Conductive liquids with the following properties:

- Conductivity: $\geq 20 \mu\text{S}/\text{cm}$
- Viscosity: $< 70 \text{ mm}^2/\text{s}$ at $40 \text{ }^\circ\text{C}$



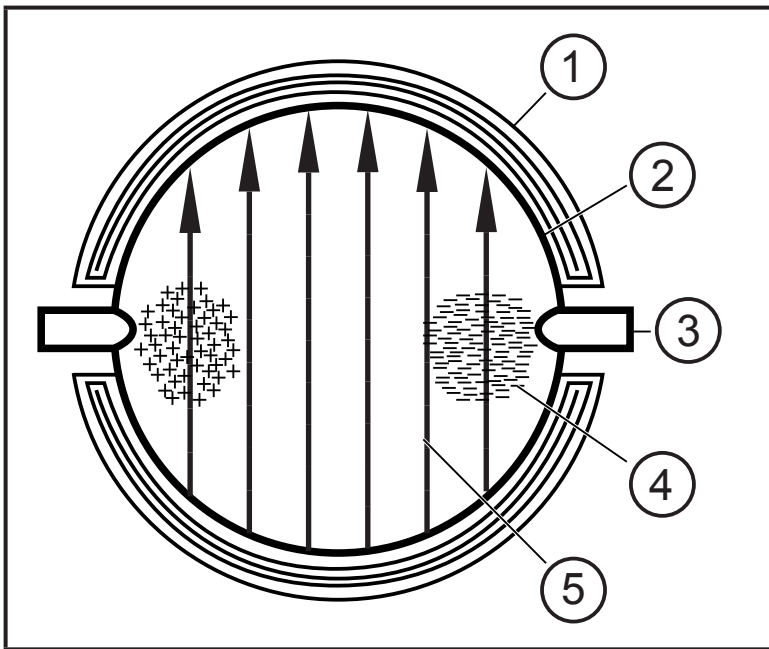
Operation in overload conditions can cause cavitation. Operation with cavitation can damage the pressure-carrying parts.

- ▶ Consider the cavitation limits (→ Technical data).

4 Function

4.1 Measuring principle for volumetric flow monitoring

The magnetic-inductive measuring principle means that a magnetic field is generated in the measuring pipe via current-carrying coils. When a conductive medium flows through the measuring pipe, the ions therein are diverted perpendicularly to the magnetic field. Positive and negative charge carriers flow in opposite directions. The voltage induced is measured by two electrodes that are in contact with the medium. This signal voltage is directly proportional to the average flow velocity. The volumetric flow quantity is derived from the inside pipe diameter.



- 1: Field coil
- 2: Measuring pipe
- 3: Electrode
- 4: Charge carrier in the medium
- 5: Magnetic field



Both electrodes must be wetted by the medium. Otherwise the signal [SEnS] for empty pipe is provided, if empty pipe detection is enabled.

4.2 Processing of the measured signals

The unit displays the current process values.

It generates 2 output signals according to the parameter setting.

OUT1/IO-Link: 5 selection options

Parameter setting

- Switching signal for volumetric flow limit values (→ 10.3.1)
- or frequency signal for volumetric flow quantity (→ 10.3.4)
- or pulse signal for quantity meter (→ 10.4.1)
- or switching signal for preset counter (→ 10.4.2)
- or switching signal for empty pipe detection (→ 10.6.9)

OUT2: 6 selection options

Parameter setting

- Switching signal for volumetric flow limit values (→ 10.3.2)
- or switching signal for temperature limit value (→ 10.5.1)
- or analogue signal for volumetric flow quantity (→ 10.3.3)
- or analogue signal for temperature (→ 10.5.2)
- or input for external reset signal (InD) (→ 10.4.7)
- or switching signal for empty pipe detection (→ 10.6.9)

4.3 Volumetric flow monitoring

4.3.1 Volumetric flow quantity

The signals for measuring the volumetric flow quantity can be provided as follows:

1. Two switching signals for volumetric flow quantity limit values on output 1 and output 2. On the switching functions → 4.7.
2. A frequency signal (10 Hz...10 kHz) on output 1.
On the frequency functions → 4.9.
3. An analogue signal proportional to the volumetric flow (4...20 mA or 0...10 V) on output 2. On the analogue functions → 4.8.

4.3.2 Direction of flow

In addition to the flow velocity, the unit also detects the flow direction. An arrow on the unit indicates the positive flow direction.

The flow direction can be inverted (→ 10.6.3).



► Use the supplied label to mark the changed flow direction.

Direction of flow in accordance with "flow direction"

> process value and display positive.

Direction of flow against the "flow direction"

> process value and display negative.

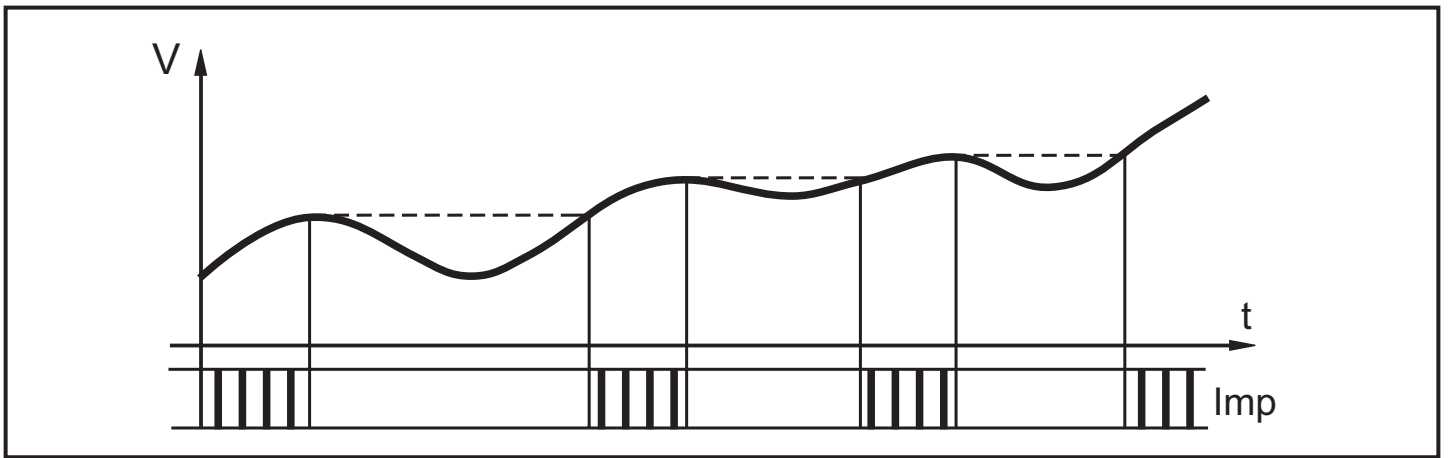


Only positive process values are processed for the signal output (limit values and analogue values for volumetric flow).

4.4 Consumed quantity monitoring (totaliser function)

The unit has an internal mass flow meter which continuously totals the volumetric flow. The sum corresponds to the current consumed quantity since the last reset.

- The quantity meter takes account of the flow direction for totalisation.
 - Flow according to the marked flow direction (arrow "flow direction"): meter adds.
 - Flow against the marked flow direction: meter subtracts (→ 10.6.12).
 - Meter pulses are only provided as the sum increases. After subtraction (consumed quantity decreases), the pulses are only provided again when the consumed quantity has exceeded the previous maximum value.



V = volumetric flow quantity, Imp = output pulses

- The current meter reading can be displayed (→ 11.1 Reading the process value).
- In addition the value before the last reset is stored. This value can also be displayed (→ 11.1 Reading the process value).



The meter saves the totalled consumed quantity every 10 minutes. In the event of a power failure this value is retained as the current meter reading. If a time-controlled reset is set, the elapsed time of the set reset interval is also stored. So the possible data loss can be maximum 10 minutes.

There are different ways to reset the meter

- 10.4.4 Manual counter reset
- 10.4.5 Time-controlled counter-reset
- 10.4.7 Configure counter reset using an external signal

4.4.1 Consumed quantity monitoring with pulse output

Output 1 indicates a counting pulse when the set volumetric flow quantity has been reached (→ 10.4.1).

4.4.2 Consumed quantity monitoring with preset counter

Output 1 switches when the set volumetric flow quantity has been reached (→ 10.4.2).

2 types of monitoring are possible:

1. Time-dependent quantity monitoring (→ 10.4.5 Time-controlled counter-reset).
 - If the quantity x is reached during t , output 1 switches and remains switched until the meter is reset.

- If the quantity x is not reached during the time t , the meter is automatically reset and counting starts again; output 1 does not switch.
2. Quantity monitoring not time-dependent (→ 10.4.6 Deactivation of the counter reset).
- If the quantity x is reached, output 1 switches and remains switched until the meter is reset.

4.5 Temperature monitoring

The following signals are provided for temperature monitoring:

- A switching signal for temperature limit values on output 2. On the switching functions → 4.7.
- An analogue signal proportional to the temperature (4...20 mA or 0...10 V) on output 2. On the analogue functions → 4.8.

4.6 Empty pipe detection

The unit detects when the two electrodes are not wetted by the medium (→ 4.1 Measuring principle for volumetric flow monitoring). The empty pipe detection can be activated or deactivated (→ 10.6.9). If it is active and the pipe is empty, the unit reacts as follows:

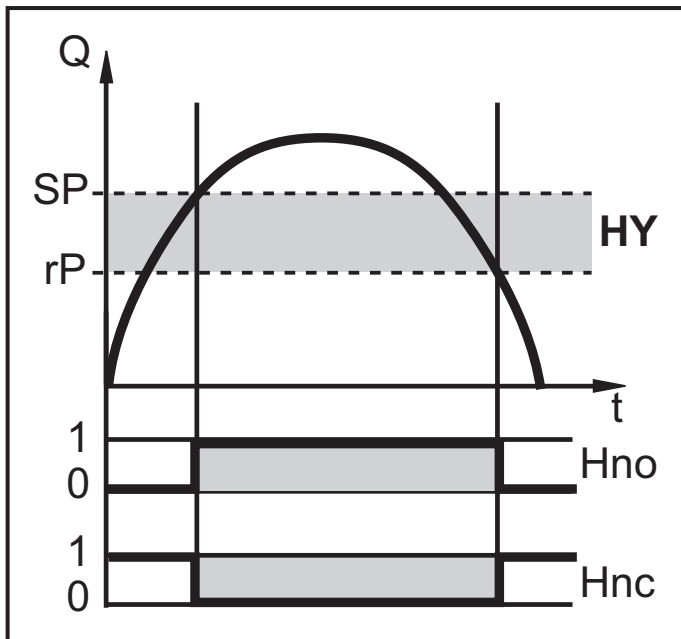
- > [SEnS] is indicated in the display.
- > The flow is set to zero.

The empty pipe detection can be set as time-dependent or not time dependent (→ 10.6.10).

4.7 Volumetric flow or temperature monitoring / switching function

OUTx changes its switching state if it is above or below the set switching limits (SPx, rPx). The following switching functions can be selected:

4.7.1 Hysteresis function



Example of volumetric flow monitoring
HY = hysteresis

Normally open: [OUx] = [Hno]

Normally closed: [OUx] = [Hnc]

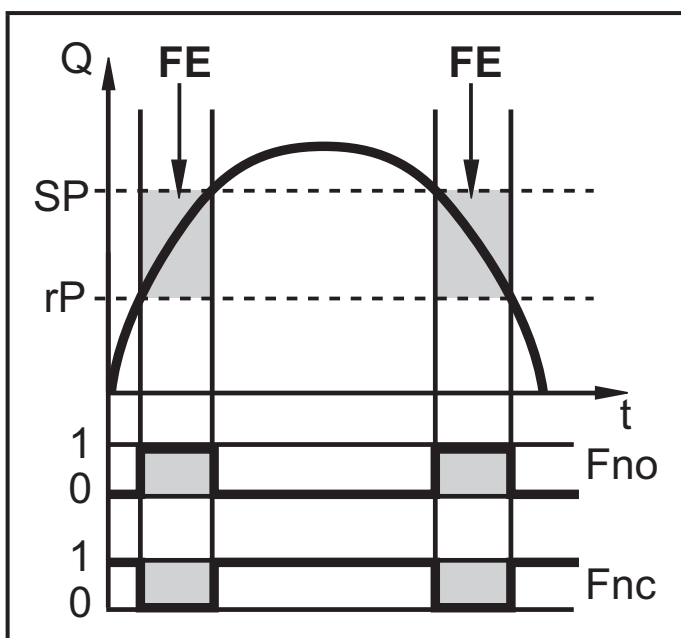
First the set point (SPx) is set, then the reset point (rPx) with the requested difference.



When SPx is adjusted rPx is changed automatically; the difference remains constant.

UK

4.7.2 Window function



Example of volumetric flow monitoring
FE = window

Normally open: [OUx] = [Fno]

Normally closed: [OUx] = [Fnc]

The width of the window can be set by means of the difference between SPx and rPx.

SPx = upper value

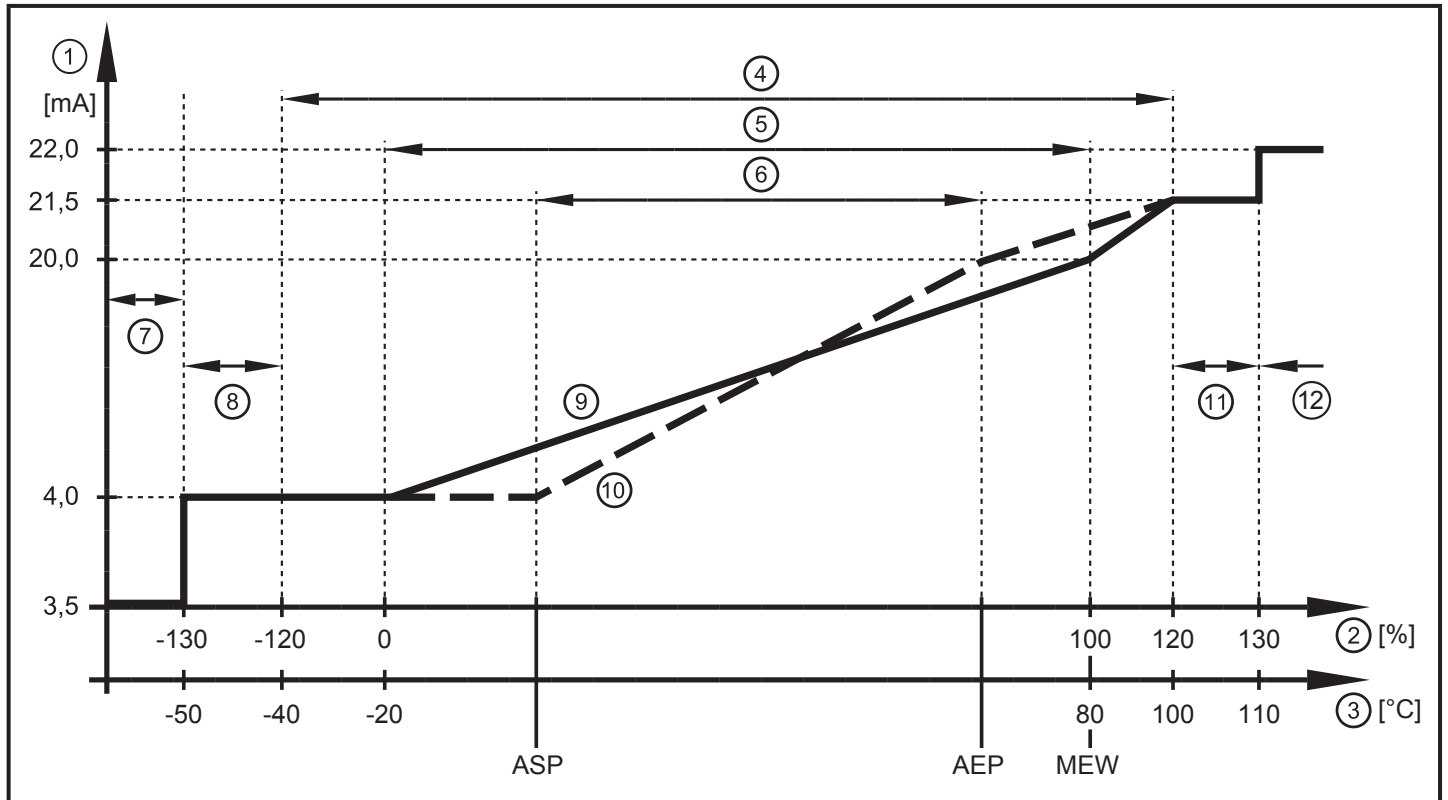
rPx = lower value.



When set to the window function the set and reset points have a fixed hysteresis of 0.25 % of the final value of the measuring range. This keeps the switching state of the output stable if the volumetric flow varies slightly.

4.8 Volumetric flow or temperature monitoring / analogue function

4.8.1 Current output



Characteristics of the analogue output according to the standard IEC 60947-5-7

- 1: Output current
- 2: Volumetric flow quantity
- 3: Temperature
- 4: Display range
- 5: Measuring range
- 6: Range between analogue start point and analogue end point
- 7: The unit is in the error state (FOU = OFF).
- 8: The process value transmitted in an analogue way is therefore below the display range.
- 9: Curve of the analogue signal at factory setting
- 10: Curve of the analogue signal with shifted ASP and AEP
- 11: The process value transmitted in an analogue way is therefore above the display range.
- 12: The unit is in the error state (FOU = ON).

ASP = analogue start point: determines at which measured value the output signal is 4 mA

AEP = analogue end point: determines at which measured value the output signal is 20 mA

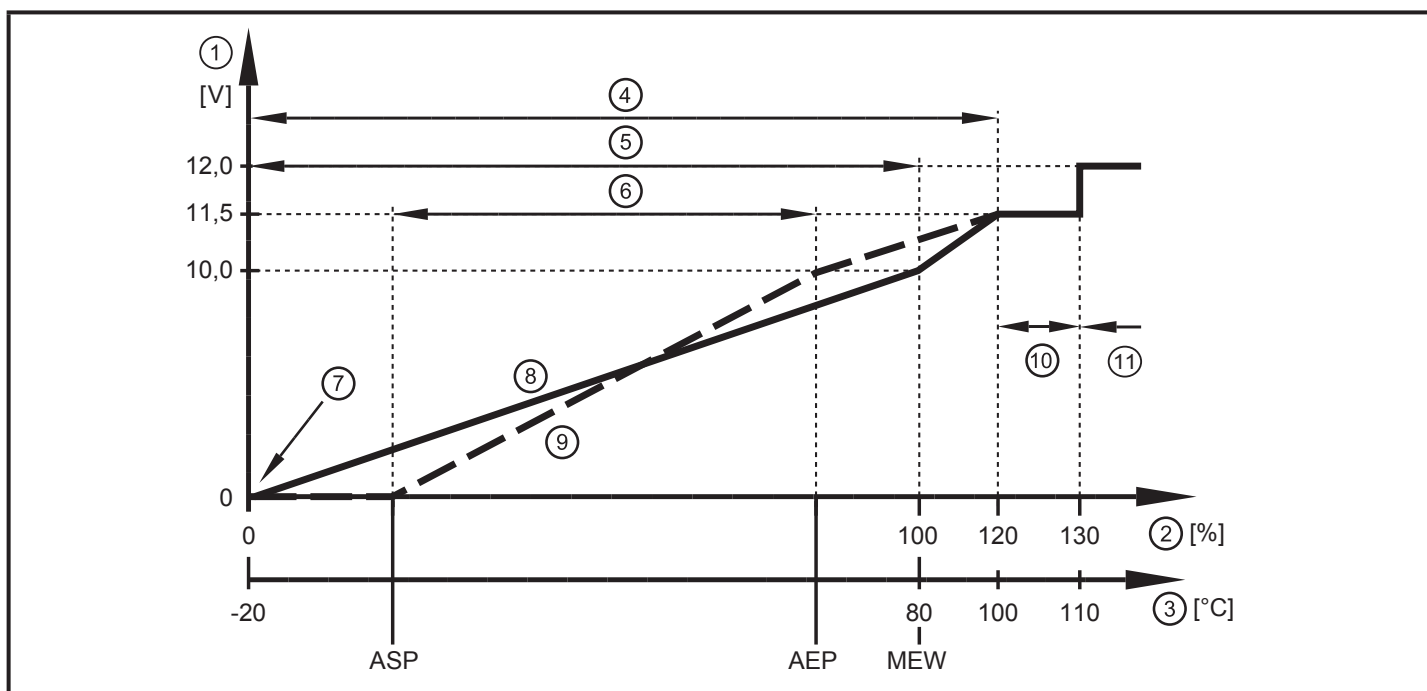
VMR = final value of the measuring range = 100 %



Minimum distance between ASP and AEP = 20 % of the measuring range

In the set scaling range the output signal is between 4 and 20 mA.

4.8.2 Voltage output



Characteristics of the analogue output according to the standard IEC 60947-5-7

- 1: Output voltage
- 2: Volumetric flow quantity
- 3: Temperature
- 4: Display range
- 5: Measuring range
- 6: Range between analogue start point and analogue end point
- 7: The unit is in the error state (FOU = OFF) or the process value transmitted in an analogue way is below the display range.
- 8: Curve of the analogue signal at factory setting
- 9: Curve of the analogue signal with shifted ASP and AEP
- 10: The process value transmitted in an analogue way is therefore above the display range.
- 11: The unit is in the error state (FOU = ON).

ASP = analogue start point: determines at which measured value the output signal is 0 V

AEP = analogue end point: determines at which measured value the output signal is 10 V

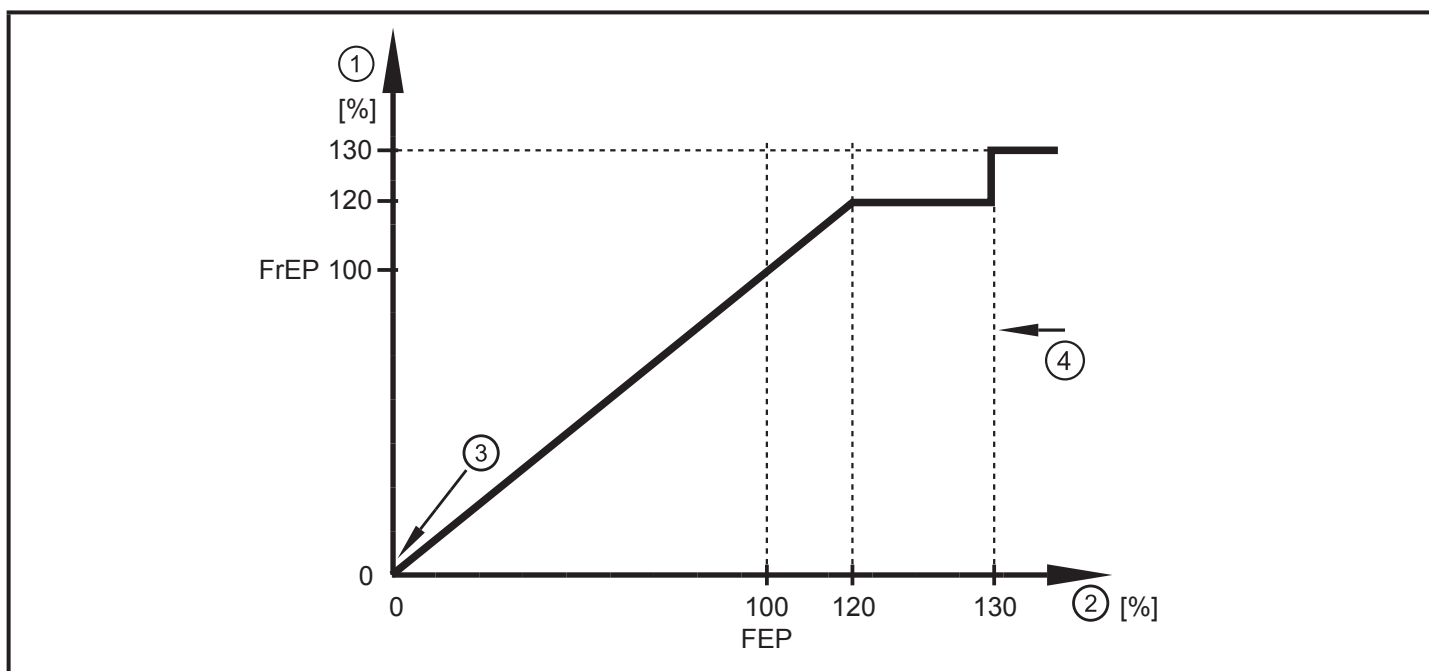
VMR = final value of the measuring range = 100 %



Minimum distance between ASP and AEP = 20 % of the measuring range

In the set scaling range the output signal is between 0 and 10 V.

4.9 Volumetric flow monitoring / frequency output



Output curve frequency output

1: Frequency output

2: Volumetric flow quantity Q

3: The unit is in the error state (FOU = OFF) or the process value transmitted in an analogue way is below the display range.

4: The unit is in the error state (FOU = ON).

FrEP = configured frequency at FEP (→ 10.3.4 Setting the frequency value for volumetric flow)

4.10 Start-up delay



The start-up delay dST influences the switching outputs of the volumetric flow monitoring.

If the start-up delay is active (dST > 0), note: As soon as the volumetric flow quantity exceeds the LFC (LFC = low flow cut-off → 4.11), the following processes are carried out:

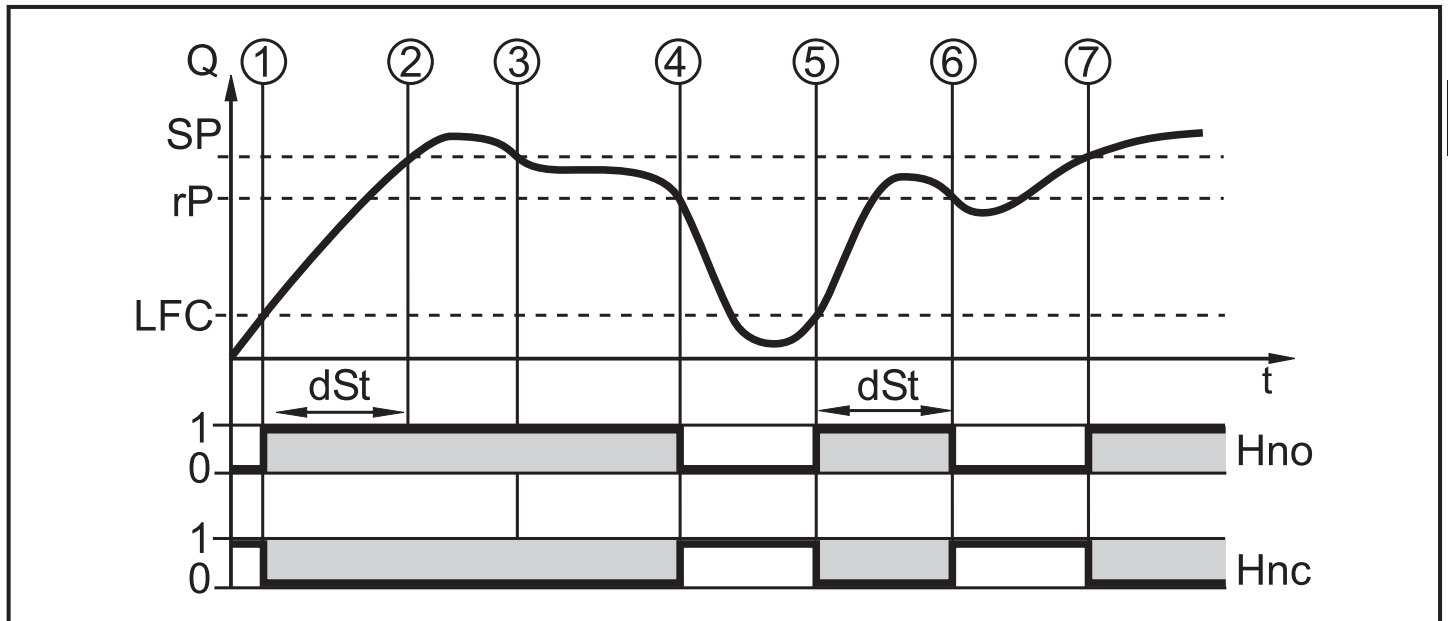
- > The start-up delay is activated.
- > The outputs switch as programmed:
ON for NO function, OFF for NC function.

After the start of the start-up delay there are 3 options:

1. The volumetric flow quantity increases quickly and reaches the set point / good range within dST.
 - > Outputs remain active.

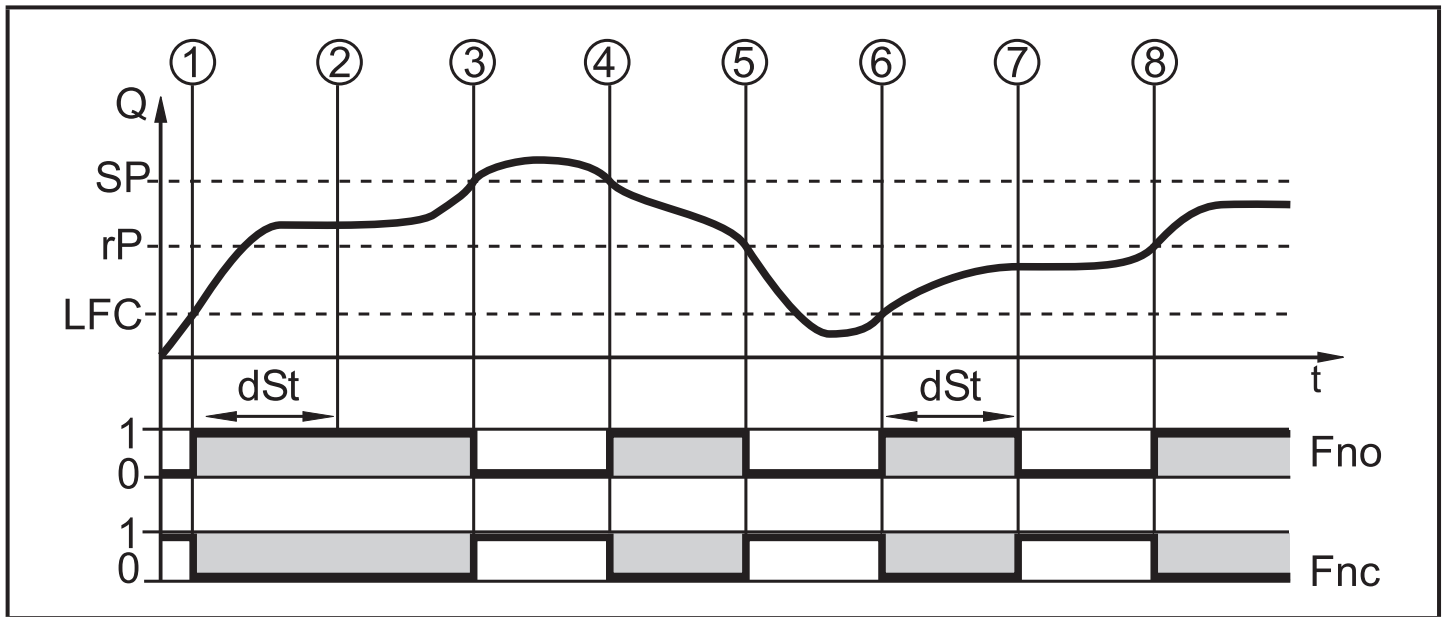
2. The volumetric flow increases slowly and does not reach the set point /good range within dST.
> Outputs are reset.
3. Volumetric flow quantity falls below LFC within dST.
> Outputs are reset at once; dST is stopped.

Example: dST for hysteresis function



	Condition	Reaction
1	Volumetric flow quantity Q reaches LFC	dST starts, output becomes active
2	dST elapsed, Q reached SP	output remains active
3	Q below SP but above rP	output remains active
4	Q below rP	output is reset
5	Q reaches again LFC	dST starts, output becomes active
6	dST elapsed, Q has not reached SP	output is reset
7	Q reaches SP	output becomes active

Example: dST for window function



	Condition	Reaction
1	Volumetric flow quantity Q reaches LFC	dST starts, output becomes active.
2	dST elapsed, Q reached good range	output remains active
3	Q above SP (leaves good range)	output is reset
4	Q again below SP	output becomes active again
5	Q below rP (leaves good range)	output is reset again
6	Q reaches again LFC	dST starts, output becomes active
7	dST elapsed, Q has not reached good range	output is reset
8	Q reaches good range	output becomes active

4.11 Low flow cut-off (LFC)

With this function small volumetric flow quantities can be ignored (\rightarrow 10.6.13). Flows below the LFC value are evaluated by the sensor as standstill ($Q = 0$).

4.12 Simulation

With this function small volumetric flow quantities can be suppressed (\rightarrow 10.7.3). The simulation does not have any effect on the totaliser or the current flow. The outputs operate as previously set.

When the simulation starts, the value of the totaliser is saved and then the simulated totaliser is set to 0. The simulated flow value then has an effect on the simulated totaliser. When the simulation is finished, the original totaliser value is restored.



During the simulation the original totaliser value remains saved without any changes even if there is a real flow.

5 Installation

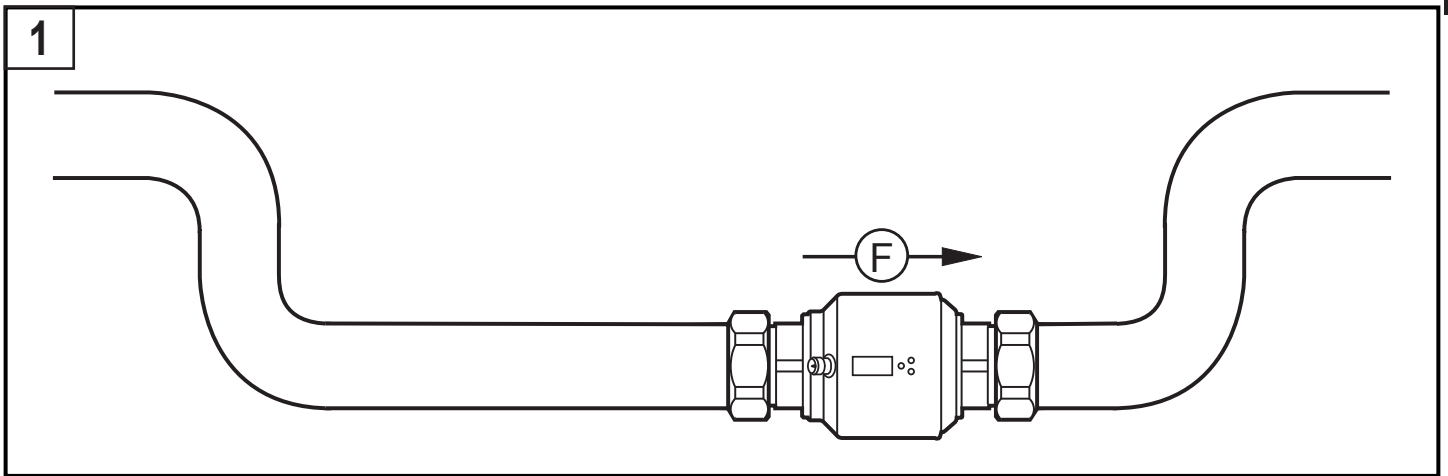


► Avoid deposits, accumulated gas and air in the pipe system.

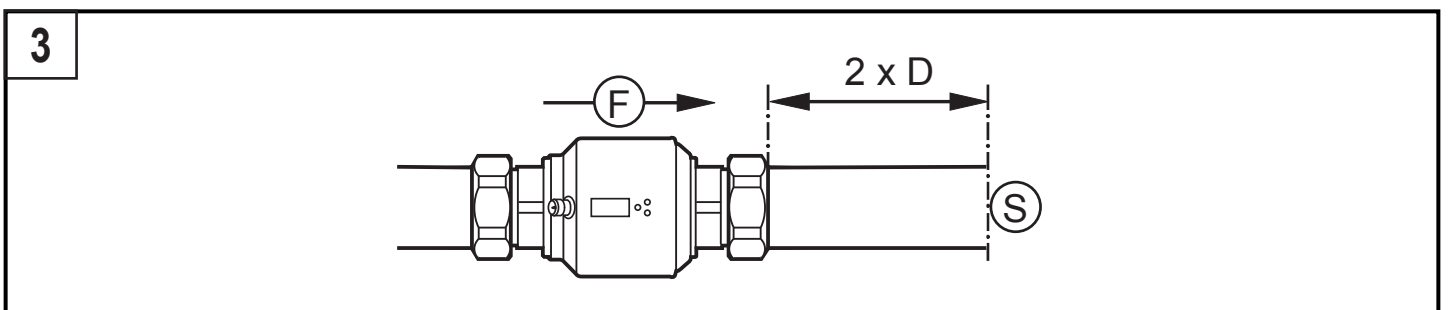
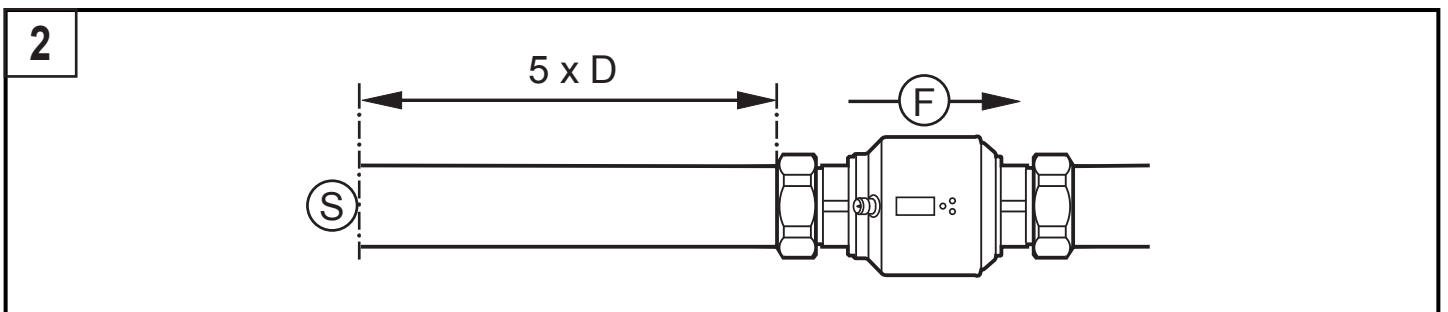
5.1 Recommended installation position

Example of an optimised installation:

UK

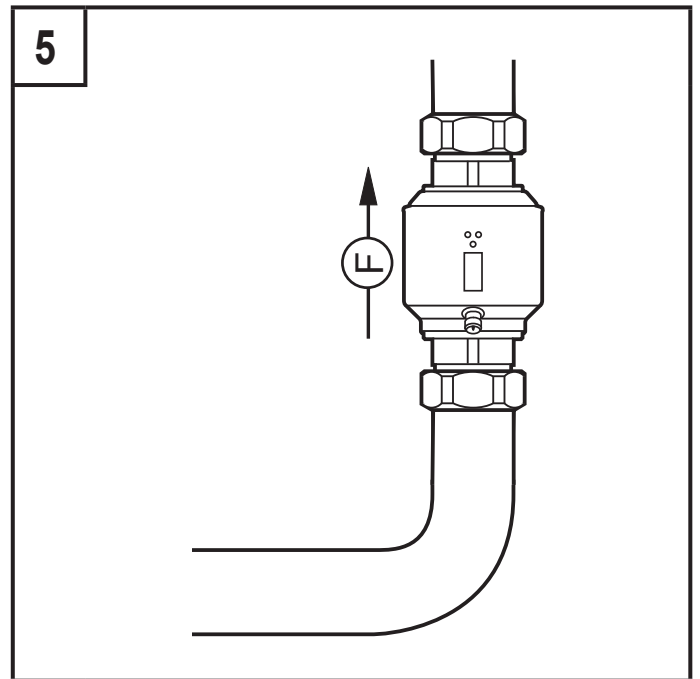
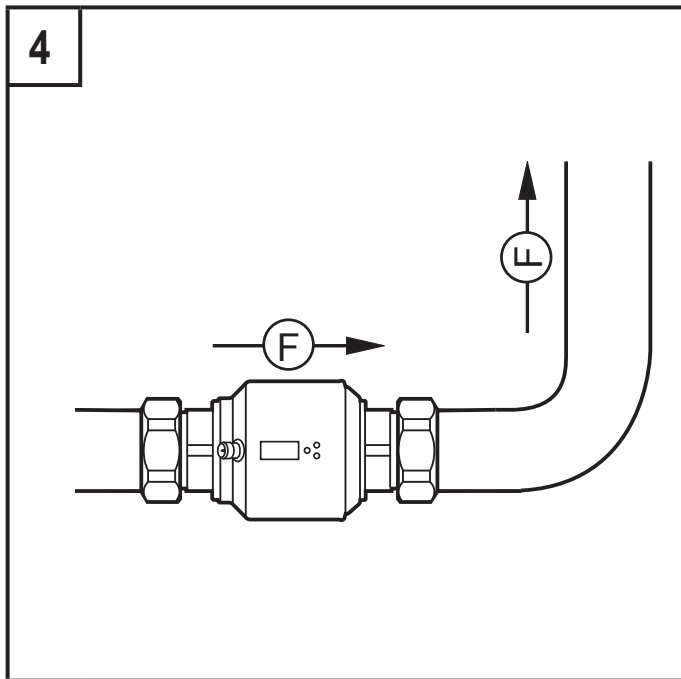


- Install the unit so that the measuring pipe is completely filled.
- Arrange for inlet and outlet pipe lengths. Disturbances caused by bends, valves, reductions, etc. are compensated for. It applies in particular: No shut-off and control devices are allowed directly in front of the unit.



S = disturbance; D = pipe diameter; F = flow direction

► Install in front of or in a rising pipe:



F = flow direction

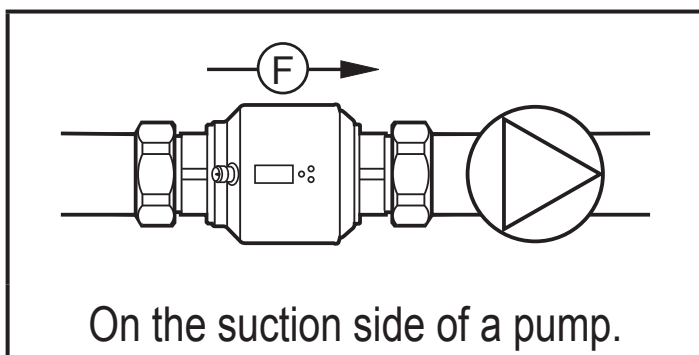
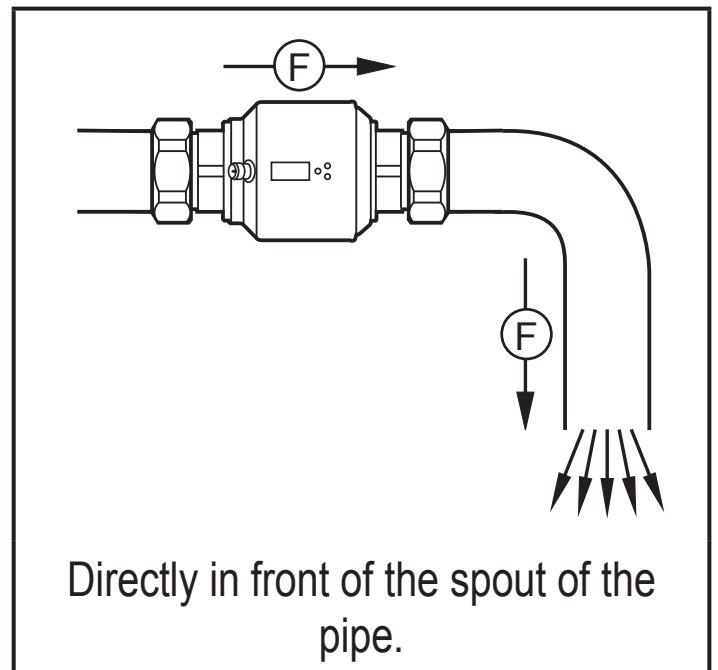
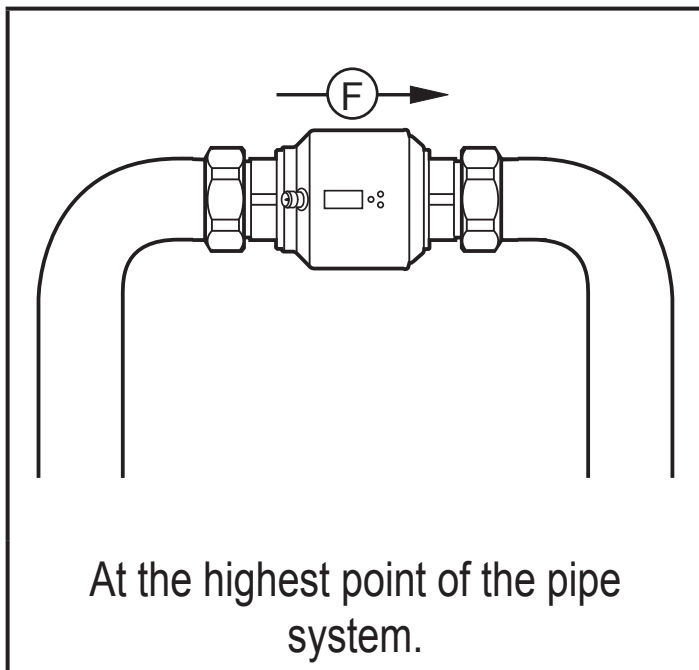
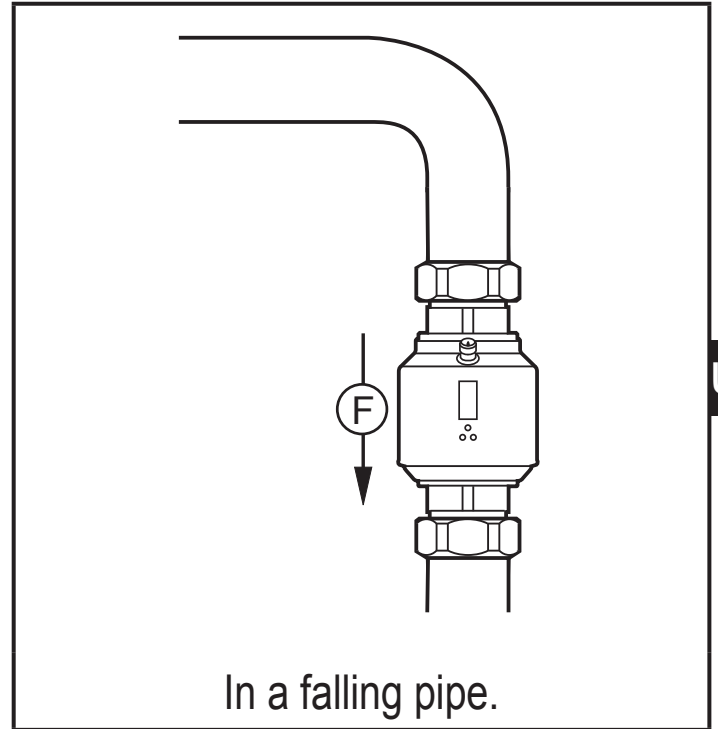
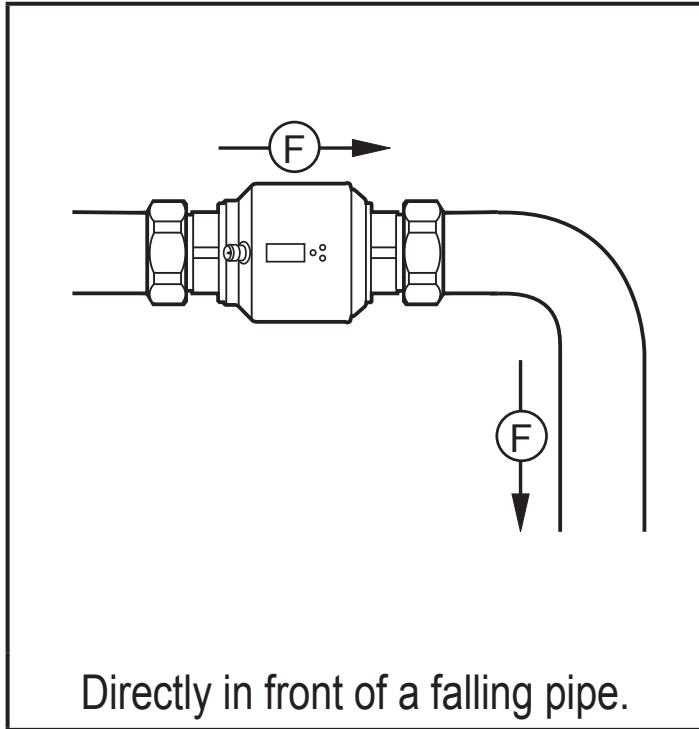


With empty pipe detection:

► Install the unit according to figure 1, 4 or 5.

5.2 Not recommended installation position

► Avoid the following installation positions:



F = flow direction



The unit can be installed independently of the orientation if the following is ensured:

- No air bubbles can form in the pipe system.
- The pipes are always completely filled.

5.3 Grounding

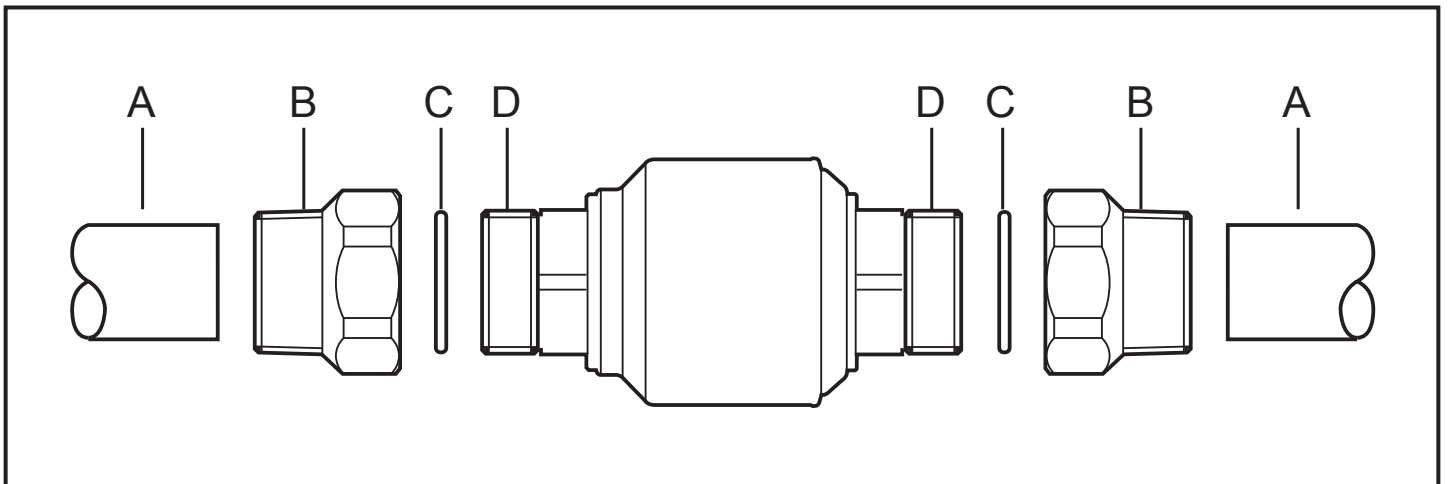


If installed in an ungrounded pipe system (e.g. plastic pipes), the unit must be grounded (functional earth).

Ground brackets for the M12 connector are available as accessories (→ www.ifm.com).

5.4 Installation in pipes

The unit can be installed in pipes using adapters. The adapters have to be ordered separately as accessories (→ www.ifm.com).



1. Screw the adapter (B) into the pipe (A).
2. Place the seals (C) and install the unit according to the marked flow direction.



► To mount the adapters on the process connection of the sensor use suitable lubricants.

3. Screw the adapter (B) with the threads (D) until it is hand-tight.
4. Tighten the two adapters in opposite direction (tightening torque: 30 Nm).

After installation air bubbles in the system can affect the measurement.

Corrective measures:

- Rinse the system after installation for ventilation (rinsing quantity > 15 l/min.).

In case of horizontal installation: As a result of design requirements a small quantity of the medium always remains in the measuring channel after switching off the pump.

6 Electrical connection



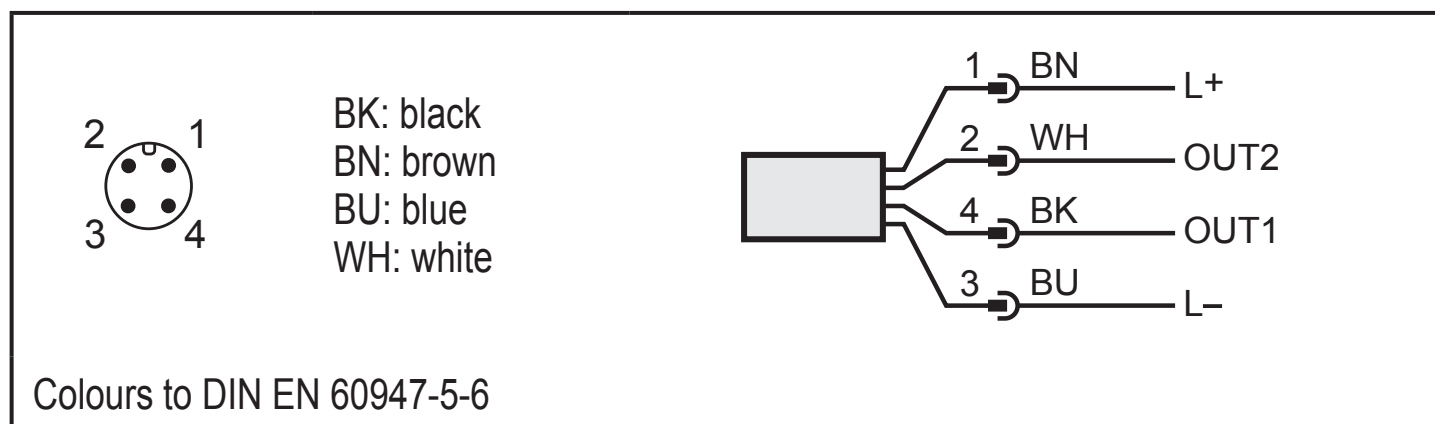
The unit must be connected by a qualified electrician.

The national and international regulations for the installation of electrical equipment must be adhered to.

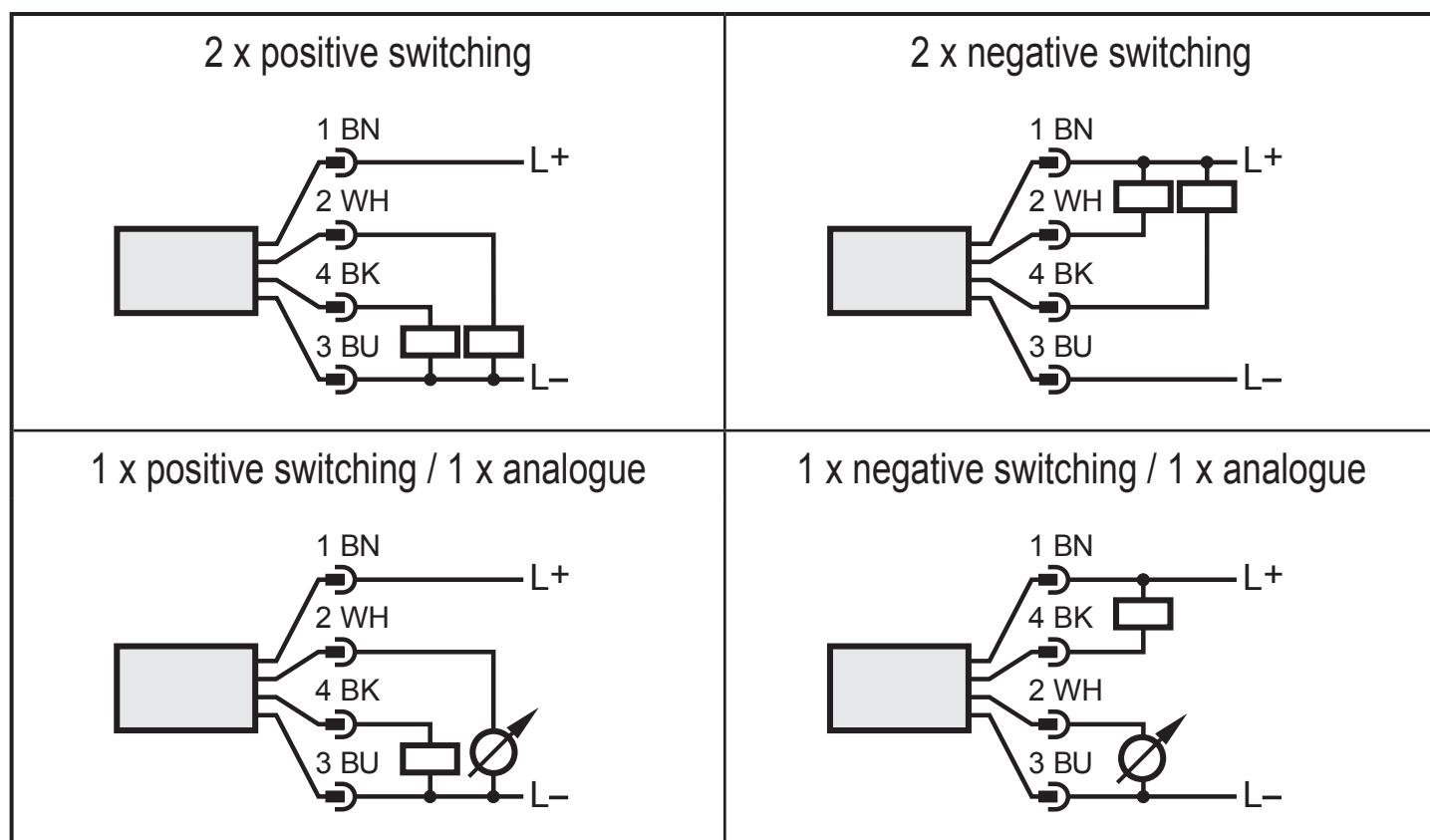
Voltage supply according to EN 50178, SELV, PELV.

► Disconnect power.

► Connect the unit as follows:

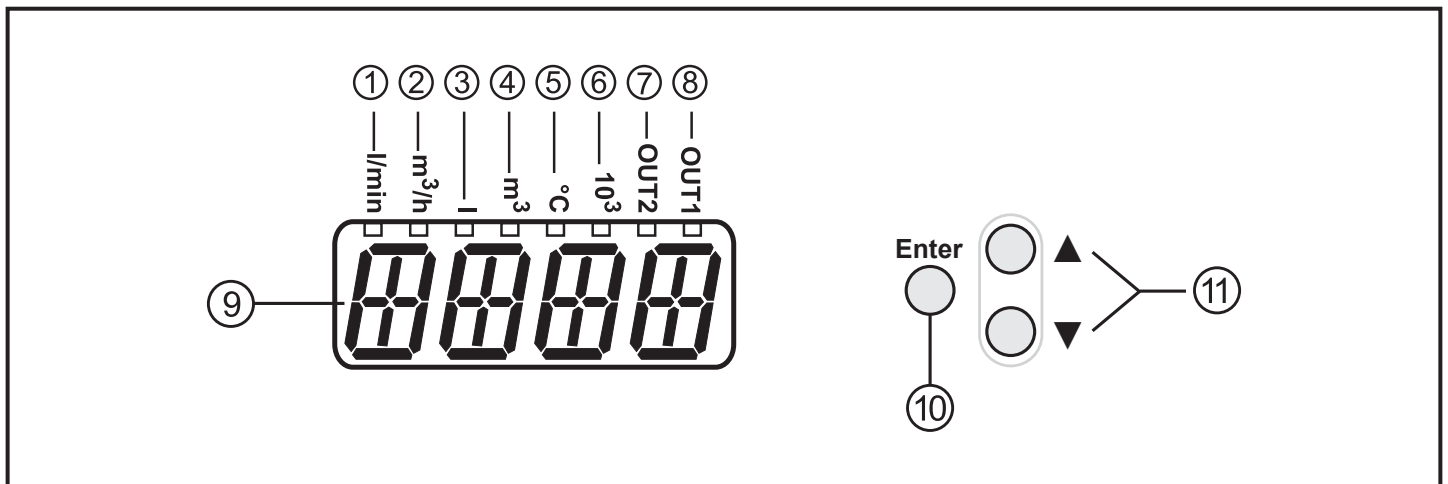


Sample circuits:



Pin 1	L+
Pin 3	L-
Pin 4 (OUT1)	<ul style="list-style-type: none"> • Switching signal: limit values for volumetric flow • Pulse signal: 1 pulse every time the defined volumetric flow quantity is reached. • Switching signal: quantity meter reached preset value • Frequency signal for volumetric flow quantity • Switching signal: empty pipe detection • IO-Link
Pin 2 (OUT2/ InD)	<ul style="list-style-type: none"> • Switching signal: limit values for volumetric flow • Switching signal: limit values for temperature • Analogue signal for volumetric flow quantity • Analogue signal for temperature • Switching signal: empty pipe detection • Input for external reset signal (InD)

7 Operating and display elements



1 to 8: Indicator LEDs

- LEDs 1-6 = Unit of the currently represented numerical value → 11.1 Reading the process value
- LED 7 = switching state of output OUT2 / of input InD
- LED 8 = switching status of output OUT1

9: Alphanumeric display, 4 digits

- Current volumetric flow quantity (with setting [SELd] = [FLOW])
- Meter reading of the totaliser (with setting [SELd] = [TOTL])
- Current medium temperature (with setting [SELd] = [TEMP])
- Parameters and parameter values

10: [Enter] button

- Selecting the parameters
- Reading the set values
- Confirming the parameter values

Representation in → 8 Menu: ○

11: Buttons up [▲] and down [▼]

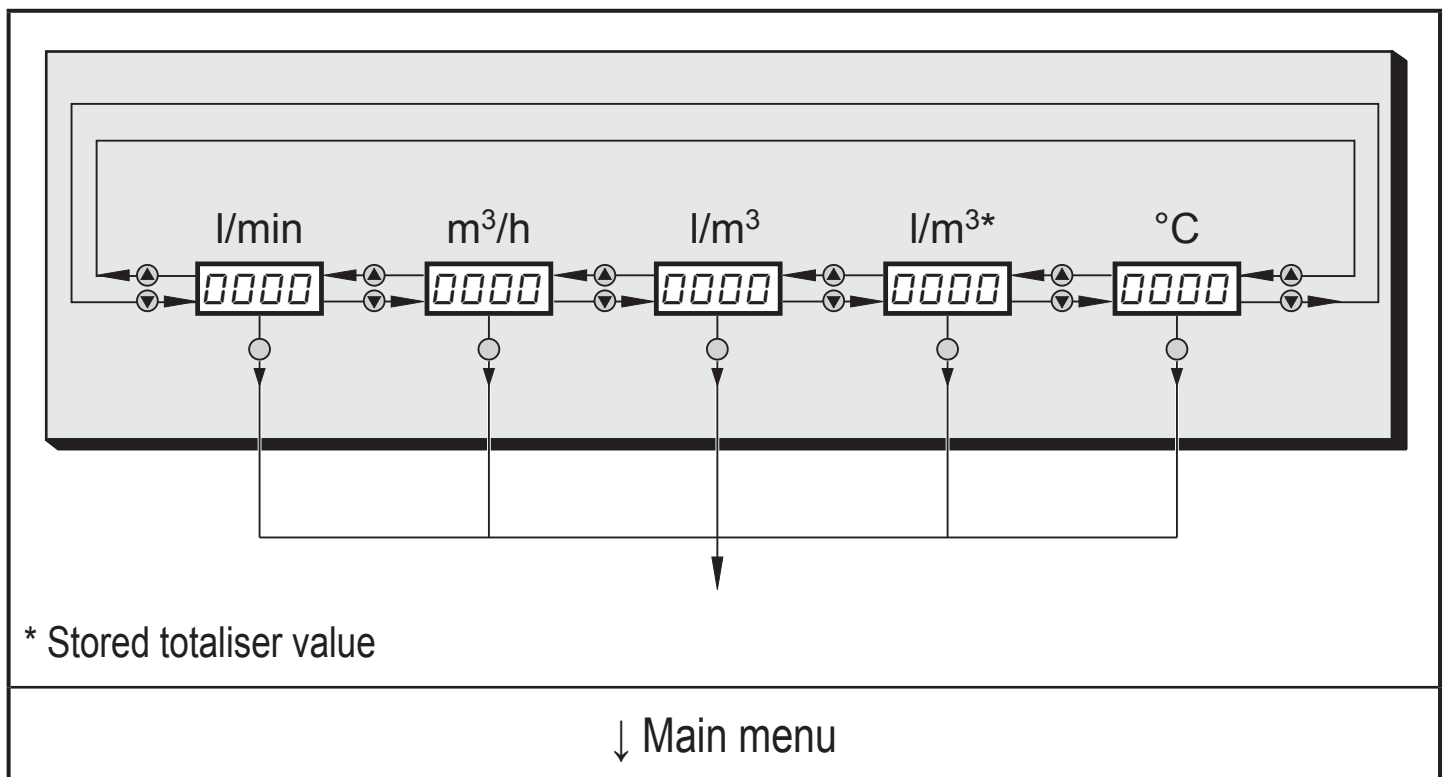
- Selection of the parameters
- Activation of the setting functions
- Changing the parameter values
- Change of the display unit in the normal operating mode (Run mode)
- Locking / unlocking

Representation in → 8 Menu: ▲ and ▼

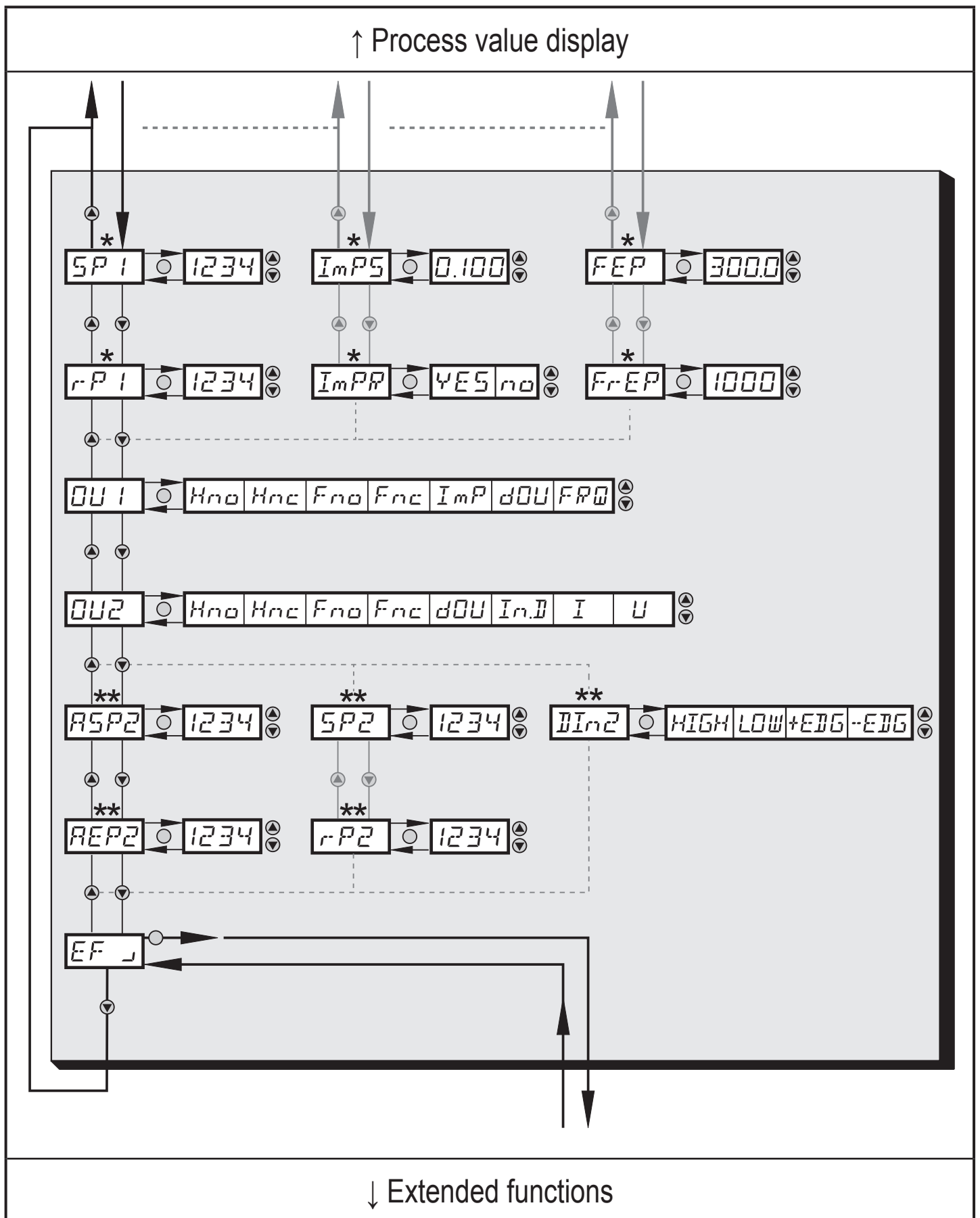
UK

8 Menu

8.1 Process value display



8.2 Main menu



* The parameters are only displayed when selected at OU1.

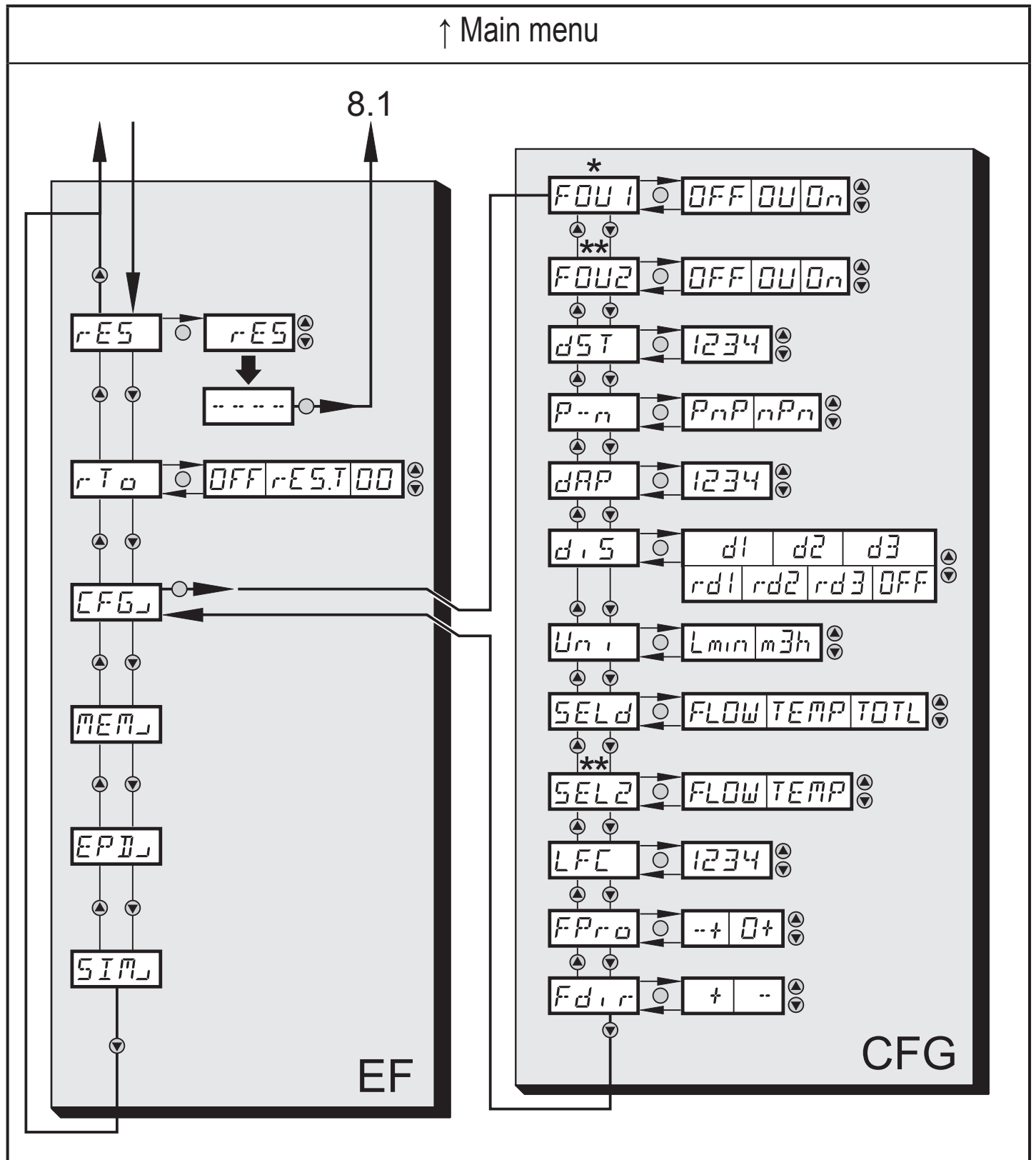
** The parameters are only displayed when selected at OU2.

8.2.1 Explanation main menu

SP1	Maximum limit value for the set process value
rP1	Minimum limit value for the set process value
ImPS	Pulse value
ImPR	Pulse reset
FEP	Frequency output of the end point of the flow value
FrEP	Frequency output of the end point of the frequency
OU1	Output function for OUT1 (volumetric flow or consumed quantity)
OU2	Output function for OUT2 (volumetric flow or temperature)
	As an alternative: configure OUT2 (Pin2) as input for external reset signal: Setting: [OU2] = [In.D]
Hno	Hysteresis normally open
Hnc	Hysteresis normally closed
Fno	Window normally open
Fnc	Window normally closed
ImP	Pulse output
FRQ	Frequency output
dOU	Diagnostic output
I	Current output
U	Voltage output
In.D	External input
ASP2	Analogue start value for the set process value
AEP2	Analogue end value for the set process value
SP2	Maximum limit value for the set process value
rP2	Minimum limit value for the set process value
DIn2	Configuration of the input (Pin2) for counter reset
EF	Extended functions / opening of menu level 2

UK

8.3 Extended functions – Basic settings



* The parameters are only displayed when selected at OU1.

** The parameters are only displayed when selected at OU2.

8.3.1 Explanation extended functions (EF)

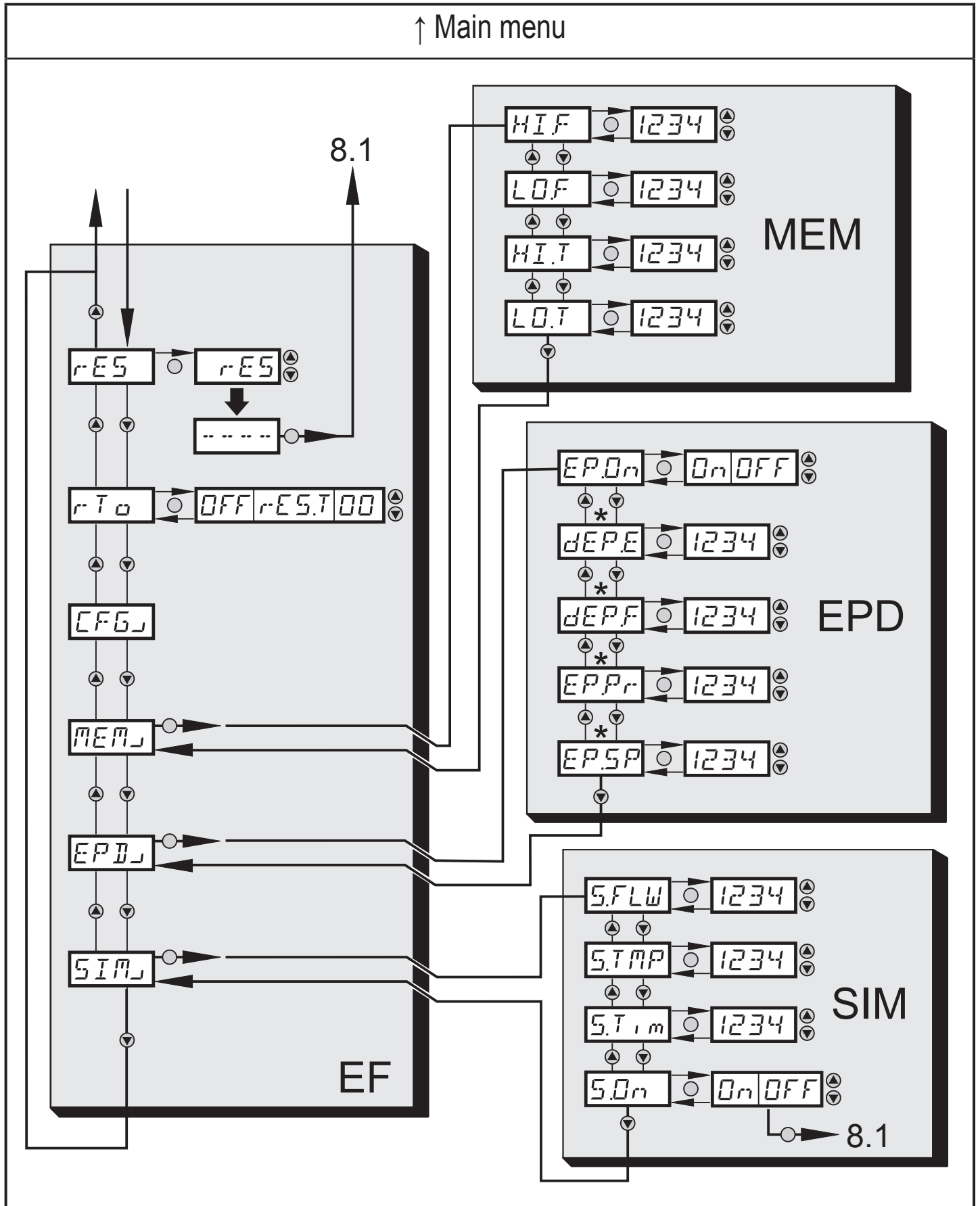
rES	Restore the factory setting
rTo	Counter reset: manual reset / time-controlled reset
CFG	Submenu basic settings
MEM	Submenu min/max memory
EPD	Submenu empty pipe
SIM	Submenu simulation

8.3.2 Submenu basic settings (CFG)

UK

FOU1	Behaviour of output 1 in case of an error
FOU2	Behaviour of output 2 in case of an error
dST	Start-up delay of volumetric flow monitoring
P-n	Output logic: pnp / npn
dAP	Measured value damping / damping constant in seconds
diS	Update rate and orientation of the display
Uni	Standard unit of measurement for volumetric flow: litres/minute or cubic metres/hour
SELd	Standard measuring unit of the display: volumetric flow value / medium temperature / meter reading
SEL2	Standard unit of measurement for evaluation via OUT2
LFC	Low flow cut-off
FPro	Totaliser: behaviour with negative flow
Fdir	Direction of flow

8.4 Extended functions – Min/max memory – Empty pipe – Simulation



* Parameters are only displayed for the selection EP.On = On.

8.4.1 Explanation extended functions (EF)

rES	Restore the factory setting
rTo	Counter reset: manual reset / time-controlled reset
CFG	Submenu basic settings
MEM	Submenu min/max memory
EPD	Submenu empty pipe
SIM	Submenu simulation

8.4.2 Submenu min/max memory (MEM)

UK

HI.F	Max. value flow
LO.F	Min. value flow
HI.T	Max. value temperature
LO.T	Min. value temperature

8.4.3 Submenu empty pipe (EPD)

EP.On	Empty pipe detection on / off
dEP.E.	Delay time empty signal
dEP.F	Delay time full signal
EP.Pr	Current measured value of empty pipe detection
EP.SP	Switch point of empty pipe detection

8.4.4 Submenu simulation (SIM)

S.FLW	Simulation flow value
S.TMP	Simulation temperature value
S.TIM	Simulation time
S.ON	Simulation start

9 Set-up

After power on and expiry of the power-on delay time (approx. 5 seconds) the unit is in the normal operating mode. It carries out its measurement and evaluation functions and generates output signals according to the set parameters.

- During the power-on delay time the outputs are switched as programmed:
 - ON with normally open function (Hno / Fno)
 - OFF with normally closed function (Hnc / Fnc).
- If output 2 is configured as analogue output, the output signal is at 20 mA (current output) or 10 V (voltage output).

10 Parameter setting

Parameters can be set before installation and set-up of the unit or during operation.



If you change parameters during operation, this will influence the function.

► Ensure that there will be no malfunctions in your plant.

During parameter setting the unit remains in the operating mode. It continues to monitor with the existing parameter until the parameter setting has been completed.

CAUTION

For medium temperatures above 50 °C some parts of the housing can heat up to over 65 °C.

► Do not press the pushbuttons manually; instead use another object (e.g. ballpoint pen).

10.1 IO-Link

10.1.1 General information

This unit has an IO-Link communication interface which requires an IO-Link-capable module (IO-Link master) for operation.

The IO-Link interface enables direct access to the process and diagnostic data and provides the possibility to set the parameters of the unit during operation.

In addition communication is possible via a point-to-point connection with a USB adapter cable.

You will find more detailed information about IO-Link at www.ifm.com/gb/io-link.

UK

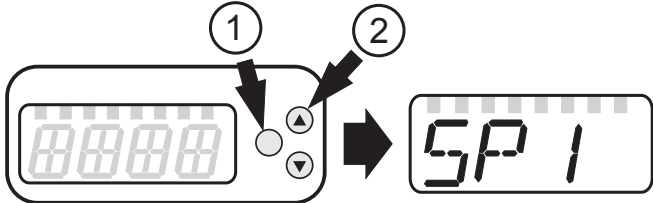

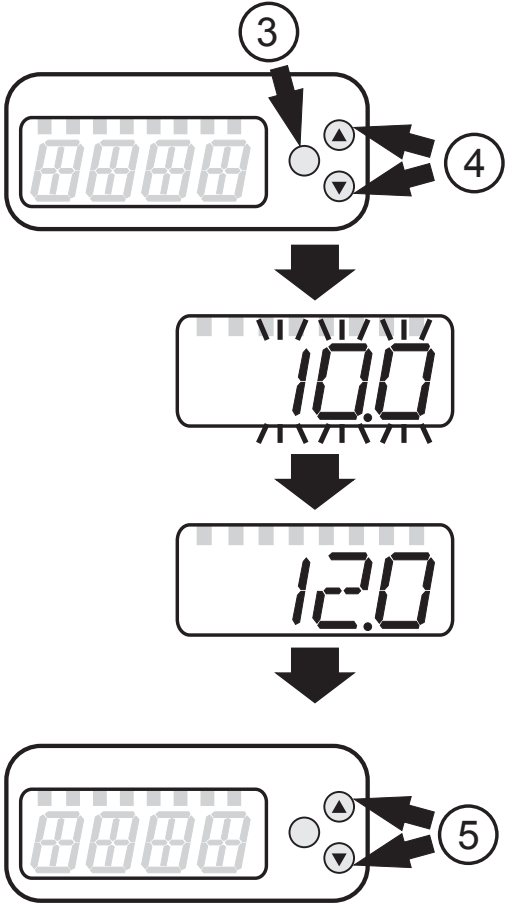
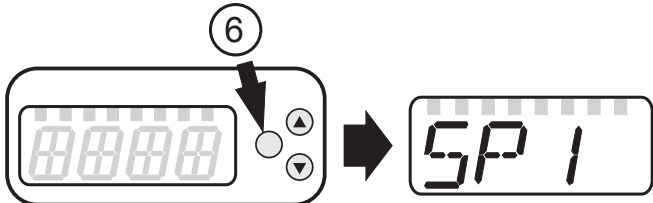
10.1.2 Device-specific information


You will find the IODDs necessary for the configuration of the IO-Link unit and detailed information about process data structure, diagnostic information and parameter addresses at www.ifm.com/gb/io-link.

10.1.3 Parameter setting tools

You will find all necessary information about the required IO-Link hardware and software at www.ifm.com/gb/io-link.

10.2 Parameter setting in general

<p>Select the parameter</p> <ol style="list-style-type: none"> 1. Press [Enter] briefly. 2. Press [▲] or [▼] until the requested parameter is displayed. 	
<p>Changing the parameter value</p> <ol style="list-style-type: none"> 3. Press [Enter] briefly. > The currently set value is displayed. 4. Keep [▲] or [▼] pressed for 1 s > Display flashes first, then permanent. 5. Change value by pressing [▲] or [▼]. <p> [▲] or [▼] pressed. > Faster cycle of the numerical values.</p>	
<p>Confirm the parameter value</p> <ol style="list-style-type: none"> 6. Press [Enter] briefly. > The parameter is displayed again. The new setting value is saved. 	
<p>Finish parameter setting and change to the process value display:</p> <ul style="list-style-type: none"> ▶ Wait for 30 seconds or ▶ Change from the submenu to the main menu, from the main menu to the process value display with [▲] or [▼]. 	

 If [C.Loc] is displayed when an attempt is made to modify a parameter value, an IO-Link communication is active (temporary locking). If [S.Loc] is displayed, the sensor is permanently locked via software. This locking can only be removed using a parameter setting software.

10.2.1 Switching between the menu levels


Change to the submenu	Switching to the next submenu via the parameters [EF], [CFG], [MEM], [EPD] or [SIM]. ▶ Select a submenu with [▲] or [▼] and switch to the submenu by pressing [Enter].
Back to the process value display	▶ Wait for 30 seconds or ▶ Change from the submenu to the main menu, from the main menu to the process value display with [▲] or [▼].

UK

10.2.2 Locking / unlocking

The unit can be locked electronically to prevent unintentional settings. Setting at the factory: not locked.

Locking is also possible via an IO-Link capable parameter setting tool.

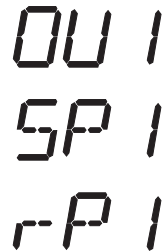
Locking	<ul style="list-style-type: none"> ▶ Make sure that the unit is in the normal operating mode. ▶ Press [▲] and [▼] simultaneously for 10 s. > [Loc] is displayed. <div style="display: flex; align-items: center; margin-top: 10px;">  <p>During operation: [LOC] is briefly displayed if you try to change parameter values.</p> </div>
Unlocking	<ul style="list-style-type: none"> ▶ Press [▲] and [▼] simultaneously for 10 s. > [uLoc] is displayed.

10.2.3 Timeout

If no button is pressed for 30 s during parameter setting, the unit returns to the operating mode with unchanged parameter.

10.3 Settings for consumed quantity monitoring

10.3.1 Settings for limit value monitoring with OUT1

<ul style="list-style-type: none"> ▶ Select [OU1] and set the switching function: <ul style="list-style-type: none"> - [Hno] = hysteresis function/NO, - [Hnc] = hysteresis function/NC, - [Fno] = window function/NO, - [Fnc] = window function/NC. ▶ Select [SP1] and set the value at which the output switches. ▶ Select [rP1] and set the value at which the output switches off. 	
--	---

10.3.2 Settings for limit value monitoring with OUT2

<ul style="list-style-type: none">▶ Select [SEL2] and set [FLOW].▶ Select [OU2] and set the switching function.<ul style="list-style-type: none">- [Hno] = hysteresis function/NO,- [Hnc] = hysteresis function/NC,- [Fno] = window function/NO,- [Fnc] = window function/NC.▶ Select [SP2] and set the value at which the output switches.▶ Select [rP2] and set the value at which the output switches off.	<pre>SEL2 OU2 SP2 rP2</pre>
---	-----------------------------

10.3.3 Setting the analogue value for volumetric flow

<ul style="list-style-type: none">▶ Select [SEL2] and set [FLOW].▶ Select [OU2] and set the function:<ul style="list-style-type: none">- [I] = current signal proportional to volumetric flow (4...20 mA);- [U] = voltage signal proportional to volumetric flow (0...10 V).▶ Select [ASP2] and set the value at which the minimum value is provided.▶ Select [AEP2] and set the value at which the maximum value is provided.	<pre>SEL2 OU2 ASP2 AEP2</pre>
--	-------------------------------

10.3.4 Setting the frequency value for volumetric flow


<ul style="list-style-type: none">▶ Select [OU1] and set [FRQ].▶ Select [FEP] and set the flow value at which the frequency set in FrEP is provided.▶ Select [FrEP] and set the frequency.	<pre>OU 1 FEP FrEP</pre>
--	--------------------------

10.4 Settings for consumed quantity monitoring


10.4.1 Settings for quantity monitoring via pulse output

<ul style="list-style-type: none">▶ Select [OU1] and set [ImP].▶ Select [ImPS] and set the volumetric flow quantity at which 1 pulse is provided (→ 10.4.3).▶ Select [ImPR] and set [YES].> Pulse repetition is active. Output 1 provides a counting pulse each time the value set in [ImPS] is reached.	<pre>OU 1 ImPS ImPR</pre>
--	---------------------------

10.4.2 Settings for quantity monitoring via the preset counter

<ul style="list-style-type: none"> ▶ Select [OU1] and set [ImP]. ▶ Select [ImPS] and set the volumetric flow quantity at which output 1 switches (→ 10.4.3). ▶ Select [ImPR] and set [no]. > Pulse repetition is not active. The output switches ON if the value set in [ImPS] is reached. It remains set until the counter is reset. 	
--	---

10.4.3 Setting the pulse value

<ul style="list-style-type: none"> ▶ Select [ImPS]. ▶ Press [Enter] briefly. > The currently set value is displayed. ▶ Keep [▲] or [▼] pressed until "c c c c" is displayed. ▶ Press [▲] or [▼] to select the setting range. > With each press of the pushbutton the display changes to the next setting range (decimal point shifts and / or LED changes). ▶ Press [Enter] to confirm the setting range. ▶ Press [▲] or [▼] until the requested numerical value is displayed. ▶ Press [Enter] briefly. <p>Setting ranges:</p>																																									
<table border="1" style="width: 100%; border-collapse: collapse;"> <thead> <tr> <th style="text-align: center;">LED*</th> <th style="text-align: center;">Unit</th> <th style="text-align: center;">Display</th> <th style="text-align: center;">Value</th> <th style="text-align: center;">Step increment</th> </tr> </thead> <tbody> <tr> <td style="text-align: center;">3</td> <td style="text-align: center;">l</td> <td style="text-align: center;"><i>000.1...999.9</i></td> <td style="text-align: center;">0.1...999.9 l</td> <td style="text-align: center;">0.1 l</td> </tr> <tr> <td style="text-align: center;">4</td> <td style="text-align: center;">m³</td> <td style="text-align: center;"><i>0.001...9.999</i></td> <td style="text-align: center;">0.001...9.999 m³</td> <td style="text-align: center;">0.001 m³</td> </tr> <tr> <td style="text-align: center;">4</td> <td style="text-align: center;">m³</td> <td style="text-align: center;"><i>00.01...99.99</i></td> <td style="text-align: center;">0.01...99.99 m³</td> <td style="text-align: center;">0.01 990 m³</td> </tr> <tr> <td style="text-align: center;">4</td> <td style="text-align: center;">m³</td> <td style="text-align: center;"><i>000.1...999.9</i></td> <td style="text-align: center;">0,1...999,9 990 m³</td> <td style="text-align: center;">0.1 990 m³</td> </tr> <tr> <td style="text-align: center;">4 + 6</td> <td style="text-align: center;">m³ x 10³</td> <td style="text-align: center;"><i>0.001...9.999</i></td> <td style="text-align: center;">1...9999 m³</td> <td style="text-align: center;">1 m³</td> </tr> <tr> <td style="text-align: center;">4 + 6</td> <td style="text-align: center;">m³ x 10³</td> <td style="text-align: center;"><i>00.01...99.99</i></td> <td style="text-align: center;">10...99 990 m³</td> <td style="text-align: center;">10 m³</td> </tr> <tr> <td style="text-align: center;">4 + 6</td> <td style="text-align: center;">m³ x 10³</td> <td style="text-align: center;"><i>000.1...999.9</i></td> <td style="text-align: center;">100...999 900 m³</td> <td style="text-align: center;">100 m³</td> </tr> </tbody> </table>	LED*	Unit	Display	Value	Step increment	3	l	<i>000.1...999.9</i>	0.1...999.9 l	0.1 l	4	m ³	<i>0.001...9.999</i>	0.001...9.999 m ³	0.001 m ³	4	m ³	<i>00.01...99.99</i>	0.01...99.99 m ³	0.01 990 m ³	4	m ³	<i>000.1...999.9</i>	0,1...999,9 990 m ³	0.1 990 m ³	4 + 6	m ³ x 10 ³	<i>0.001...9.999</i>	1...9999 m ³	1 m ³	4 + 6	m ³ x 10 ³	<i>00.01...99.99</i>	10...99 990 m ³	10 m ³	4 + 6	m ³ x 10 ³	<i>000.1...999.9</i>	100...999 900 m ³	100 m ³	
LED*	Unit	Display	Value	Step increment																																					
3	l	<i>000.1...999.9</i>	0.1...999.9 l	0.1 l																																					
4	m ³	<i>0.001...9.999</i>	0.001...9.999 m ³	0.001 m ³																																					
4	m ³	<i>00.01...99.99</i>	0.01...99.99 m ³	0.01 990 m ³																																					
4	m ³	<i>000.1...999.9</i>	0,1...999,9 990 m ³	0.1 990 m ³																																					
4 + 6	m ³ x 10 ³	<i>0.001...9.999</i>	1...9999 m ³	1 m ³																																					
4 + 6	m ³ x 10 ³	<i>00.01...99.99</i>	10...99 990 m ³	10 m ³																																					
4 + 6	m ³ x 10 ³	<i>000.1...999.9</i>	100...999 900 m ³	100 m ³																																					
<p>* indicator LED → 7 Operating and display elements</p>																																									

10.4.4 Manual counter reset

<ul style="list-style-type: none"> ▶ Select [rTo] and set [rES.T]. > The counter is reset to zero. 	
---	---

10.4.5 Time-controlled counter-reset

<ul style="list-style-type: none">▶ Select [rTo] and set the requested value (intervals of hours, days or weeks).> The counter is reset automatically with the value now set.	rTo
---	-----

10.4.6 Deactivation of the counter reset

<ul style="list-style-type: none">▶ Select [rTo] and set [OFF].> The meter is only reset after overflow (= factory setting).	rTo
--	-----

10.4.7 Configure counter reset using an external signal

<ul style="list-style-type: none">▶ Select [OU2] and set [InD].▶ Select [DIn2] and set the reset signal:<ul style="list-style-type: none">- [HIGH] = reset for high signal,- [LOW] = reset for low signal,- [+EDG] = reset for rising edge,- [-EDG] = reset for falling edge.	OU2 DIn2
---	-------------

10.5 Settings for temperature monitoring

10.5.1 Settings for limit value monitoring with OUT2



<ul style="list-style-type: none">▶ Select [SEL2] and set [TEMP].▶ Select [OU2] and set the switching function.<ul style="list-style-type: none">- [Hno] = hysteresis function/NO,- [Hnc] = hysteresis function/NC,- [Fno] = window function/NO,- [Fnc] = window function/NC.▶ Select [SP2] and set the value at which the output switches.▶ Select [rP2] and set the value at which the output switches off.	SEL2 OU2 SP2 rP2
---	---------------------------

10.5.2 Setting the analogue value for temperature

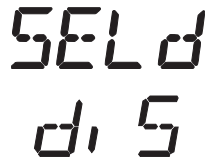
<ul style="list-style-type: none">▶ Select [SEL2] and set [TEMP].▶ Select [OU2] and set the function:<ul style="list-style-type: none">- [I] = temperature-proportional current signal (4...20 mA);- [U] = temperature-proportional voltage signal (0...10 V).▶ Select [ASP2] and set the value at which the minimum value is provided.▶ Select [AEP2] and set the value at which the maximum value is provided.	SEL2 OU2 ASP2 AEP2
--	-----------------------------

10.6 User settings (optional)


10.6.1 Setting of the standard unit of measurement for volumetric flow

<p>▶ Select [Uni] and set the unit of measurement: [Lmin] or [m3h].</p> <p> The setting only has an effect on the volumetric flow value. The counter values (consumed quantity) are automatically displayed in the unit of measurement providing the highest accuracy.</p>	
--	---

10.6.2 Configuration of the standard display

<p>▶ Select [SEld] and determine the standard measuring unit:</p> <ul style="list-style-type: none">- [FLOW] = the current volumetric flow value in the standard unit of measurement is displayed.- [TOTL] = display indicates the current meter count in l, m³ or 1000 m³.- [TEMP] = the current medium temperature in °C is displayed. <p>▶ Select [diS] and set the update rate and orientation of the display:</p> <ul style="list-style-type: none">- [d1] = update of the measured values every 50 ms.- [d2] = update of the measured values every 200 ms.- [d3] = update of the measured values every 600 ms.- [rd1], [rd2], [rd3] = display as for d1, d2, d3; rotated by 180°.- [OFF] = the display is switched off in the operating mode.	
--	---


10.6.3 Changing the direction of the flow rate measurement

<p>▶ Select [Fdir] and set the direction of flow:</p> <p>[+] = flow in the direction of the flow arrow (= factory setting) [-] = flow against the flow arrow ▶ label over the arrow</p>	
---	---

10.6.4 Setting the output logic

<p>▶ Select [P-n] and set [PnP] or [nPn].</p>	
---	---

10.6.5 Setting the start-up delay

<p>▶ Select [dST] and set the numerical value in seconds.</p>	
---	---


10.6.6 Setting the measured value damping

<p>▶ Select [dAP] and set the damping constant in seconds (τ value 63 %).</p>	
---	---

10.6.7 Setting the error behaviour of the outputs

<p>► Select [FOU1] and set the value:</p> <ol style="list-style-type: none"> Switching output: <ul style="list-style-type: none"> - [On] = output 1 switches ON in case of an error. - [OFF] = output 1 switches OFF in case of an error. - [OU1] = output 1 switches irrespective of the error as defined with the parameters. Frequency output: <ul style="list-style-type: none"> - [On] = 130% of FrEP - [OFF] = 0 Hz - [OU1] = continues running <p>► Select [FOU2] and set the value:</p> <ul style="list-style-type: none"> - [On] = output 2 switches ON in case of an error, the analogue signal goes to the upper error value. - [OFF] = output 2 switches OFF in case of an error, the analogue signal goes to the lower error value. - [OU2] = output 2 switches irrespective of the error as defined with the parameters. The analogue signal corresponds to the measured value. 	<pre>FOU1 FOU2</pre>
--	----------------------

10.6.8 Configuring the empty pipe detection as diagnostic output

<p>► Select [OU1] or [OU2] and set [dOU].</p> <p>► Select [P-n] and set [PnP] or [nPn].</p> <p> The empty pipe detection is only effective if it is activated at [EP.On] → 10.6.9. When the empty pipe state is detected, the diagnostic output is inactive.</p>	<pre>dOU P-n EP.On</pre>
--	--------------------------

10.6.9 Activating / deactivating empty pipe detection

<p>► Select [EP.On] and set the function:</p> <ul style="list-style-type: none"> - [OFF] = empty pipe detection deactivated. - [On] = empty pipe detection activated. 	<pre>EP.On</pre>
---	------------------

10.6.10 Time-delay empty pipe detection

<p>► Select [dEP.E] and set the delay time from 0...30 s, at which the signal should be provided when the pipe is empty.</p> <p>► Select [dEP.F] and set the delay time from 0...30 s, at which the signal should be provided when the pipe is full.</p>	<pre>dEP.E dEP.F</pre>
--	------------------------

10.6.11 Setting of the empty pipe detection

<ul style="list-style-type: none">▶ Select [EP.Pr] to display the current value of the empty pipe detection in percent.▶ Select [EP.SP] and set the switch point of empty pipe detection.	<pre>EP.Pr EP.SP</pre>
--	------------------------

10.6.12 Setting the counting method of the totaliser

<ul style="list-style-type: none">▶ Select [FPro] and set the value: [-+] = totalling the volumetric flow values with the correct sign. [0+] = totalling only positive volumetric flow values.	<pre>FPro</pre>
--	-----------------

10.6.13 Setting the low flow cut-off

<ul style="list-style-type: none">▶ Select [LFC] and set the limit value.	<pre>LFC</pre>
---	----------------

10.7 Service functions

10.7.1 Reading the min/max values for the volumetric flow

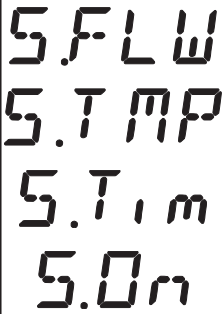
<ul style="list-style-type: none">▶ Select [HI.F] or [LO.F] [HI.F] = max. value, [LO.F] = min. value. <p>Delete memory:</p> <ul style="list-style-type: none">▶ Select [HI.F] or [LO.F].▶ Press [Enter] briefly.▶ Keep [▲] or [▼] pressed. <p>> [----] is displayed.</p> <ul style="list-style-type: none">▶ Press [Enter] briefly. <p>It makes sense to delete the memories as soon as the unit operates under normal operating conditions for the first time.</p>	<pre>HI.F LO.F</pre>
--	----------------------

10.7.2 Reading the min/max values for the temperature


<ul style="list-style-type: none">▶ Select [HI.T] or [LO.T] [HI.T] = max. value, [LO.T] = min. value. <p>Delete memory:</p> <ul style="list-style-type: none">▶ Select [HI.T] or [LO.T].▶ Press [Enter] briefly.▶ Keep [▲] or [▼] pressed. <p>> [----] is displayed.</p> <ul style="list-style-type: none">▶ Press [Enter] briefly. <p>It makes sense to delete the memories as soon as the unit operates under normal operating conditions for the first time.</p>	<pre>HI.T LO.T</pre>
--	----------------------

UK

10.7.3 Simulation menu

<ul style="list-style-type: none">▶ Select [S.FLW] and set the flow value to be simulated.▶ Select [S.TMP] and set the temperature value to be simulated.▶ Select [S.Tim] and set the time of the simulation in minutes.▶ Select [S.On] and set the function:<ul style="list-style-type: none">- [On]: The simulation starts. The values are simulated for the time set at [S.Tim]. [SIM] is displayed simultaneously with the process values. Cancel with [Enter].- [OFF]: The simulation is not active.	
---	---

10.7.4 Resetting all parameters to factory setting

<ul style="list-style-type: none">▶ Select [rES].▶ Press [Enter] briefly.▶ Keep [▲] or [▼] pressed.> [----] is displayed.▶ Press [Enter] briefly. <p>For the factory settings please refer to the end of these instructions → 13. We recommend taking down your own settings in that table before carrying out a reset.</p>	
--	---

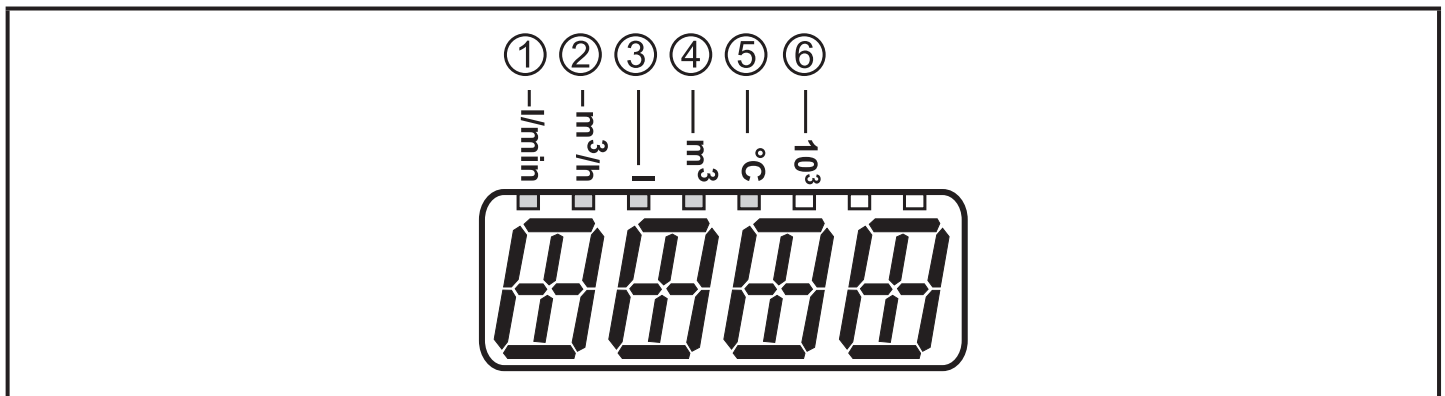
11 Operation

11.1 Reading the process value

The LEDs 1-6 signal which process value is currently displayed. The process value to be displayed as standard (temperature, flow velocity or meter reading of the totaliser) can be preset → 10.6.2 Configuration of the standard display. A standard unit of measurement can be defined for the flow velocity (l/min or m³/h → 10.6.1). Further process values can be read in addition to the preset standard display:

- ▶ Press the buttons [▲] or [▼].
- > The LED of the selected process value display is lit and the current process value is displayed.
- > After 30 seconds the display changes to the standard display.

UK



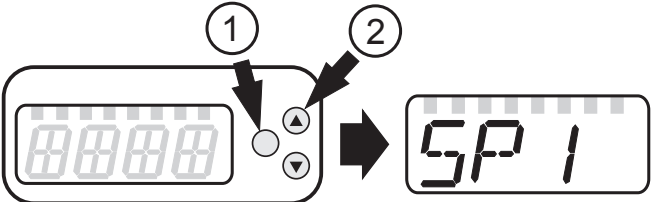

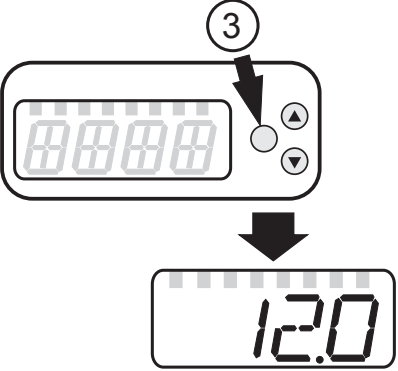
LED	Process value display	Unit	
1 □	Current flow volume per minute	l/min	
2 □	Current flow volume per hour	m ³ / h	
3 □	Totaliser*	Current consumed quantity since the last reset	
3 𐄂		Consumed quantity before the last reset	
4 □		Current consumed quantity since the last reset	
4 𐄂		Consumed quantity before the last reset	
4 + 6 □		Current consumed quantity since the last reset	m ³ x 10 ³
4 + 6 𐄂		Consumed quantity before the last reset	m ³ x 10 ³
5 □		Current medium temperature	°C

□ LED is lit; 𐄂 LED flashes

* The consumed quantity is automatically displayed in the unit of measurement providing the highest accuracy.

11.2 Reading the parameter value

To display the currently set parameter value, take the following steps:

<p>Select the parameter</p> <ol style="list-style-type: none">1. Press [Enter] briefly.2. Press [▲] or [▼] until the requested parameter is displayed.	
<p>Display the parameter value</p> <ol style="list-style-type: none">3. Press [Enter] briefly. <p>> The currently set value is displayed for 30 s.</p> <p> By pressing [Enter] briefly several times, the display switches between parameter and parameter value.</p>	
<p>Switching to the process value display</p> <ul style="list-style-type: none">▶ Wait for 30 seconds <p>or</p> <ul style="list-style-type: none">▶ Change from the submenu to the main menu, from the main menu to the process value display with [▲] or [▼].	

11.3 Error indications

	Warning message
[SC1]	Short circuit in OUT1. LED8 for OUT1 flashes (→ 7 Operating and display elements).
[SC2]	Short circuit in OUT2. LED7 for OUT2 flashes (→ 7 Operating and display elements).
[SC]	Short circuit in both outputs. LED7 and LED8 flash (→ 7 Operating and display elements).
[OL]	Detection zone of volumetric flow or temperature exceeded. Measured value between 120 % and 130 % of the final value of the measuring range.
[UL]	Below the detection zone of volumetric flow or temperature. Measured value between -120 % and -130 % of the final value of the measuring range.
[Err]	<ul style="list-style-type: none"> • Unit faulty / malfunction. • Measured value greater than 130 % of the final value of the measuring range. • Measured value lower than -130 % of the final value of the measuring range.
[C.Loc]	Setting pushbuttons locked, parameter change rejected. Active IO-Link communication.
[S.Loc]	Setting pushbuttons locked, parameter change rejected. Unlock using parameter setting software.
[SEnS]	<ul style="list-style-type: none"> • Sensor signal invalid. • Measuring pipe not sufficiently filled. • Medium with too low a conductivity.
[IOE.n]	Malfunctioning. The unit is faulty and must be replaced.

UK

12 Technical data

Technical data and scale drawing at www.ifm.com.

13 Factory setting

	Factory setting	User setting
SP1	20 % *	
rP1	19.5 % *	
ImPS	0.1	
ImPR	YES	
OU1	Hno	
OU2	I	
SP2 (FLOW)	40 % *	
rP2 (FLOW)	39.5 % *	
SP2 (TEMP)	20 °C	
rP2 (TEMP)	-19.6 °C	
ASP2 (FLOW)	0 % *	
AEP2 (FLOW)	100 % *	
ASP2 (TEMP)	-20 °C	
AEP2 (TEMP)	80 °C	
FEP	100 % *	
FrEP	1 kHz	
FDir	+	
FPro	- +	
LFC	5 l/min	
DIn2	+EDG	
FOU1	OFF	
FOU2	OFF	
dST	0	
P-n	PnP	
dAP	0.6 s	
rTo	OFF	
diS	d2	

Uni	Lmin	
SELd	FLOW	
SEL2	FLOW	
EP.On	OFF	
dEP.E	0 s	
dEP.F	2 s	
EP.SP	75 %	
S.FLW	20 %	
S.TMP	20 °C	
S.Tim	3 min	

UK

* of the final value of the measuring range