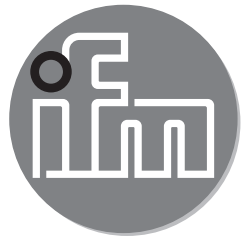


ifm electronic



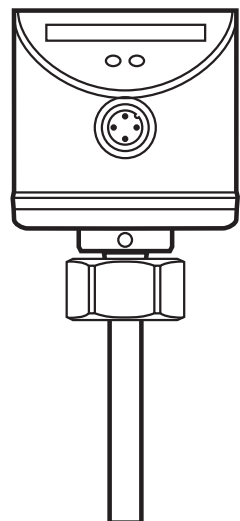
Operating instructions
Flow monitors

efector300[®]

SI0553

UK

704379 / 01 08 / 2010



Contents

1 Safety instructions	3
2 Functions and features	4
2.1 Application area	4
2.2 Operating principle flow monitoring	4
3 Installation	5
3.1 Installation location	5
3.2 Sources of interference in the pipe system	6
3.3. Mounting operation.....	6
4 Electrical connection.....	7
5 Operating and display elements	7
6 Set-up and settings for water.....	8
6.1 Change the switch point (optional)	8
6.2 High flow adjustment (optional)	9
7 Additional settings (optional).....	9
7.1 Low flow adjustment.....	9
7.2 Configure the switching output	9
7.3 Restore the factory setting (reset)	10
7.4 Lock / unlock the unit.....	10
7.5 Remote adjustment	10
8 Error during adjustment.....	10
9 Operation.....	11
10 Maintenance	11
11 Scale drawing	12
12 Technical data.....	12

Preliminary note

- An instruction is indicated by “▶”:
Example: ▶ Check whether the unit operates correctly.
- A reaction to the action is indicated by ">":
Example: > LED 9 lights.

1 Safety instructions

- Please read the product description prior to set-up of the unit. Ensure that the product is suitable for your application without any restrictions.
- The unit conforms to the relevant regulations and EC directives.
- Improper or non-intended use may lead to malfunctions of the unit or to unwanted effects in your application.
- That is why installation, electrical connection, set-up, operation and maintenance of the unit must only be carried out by qualified personnel authorised by the machine operator.

UK

2 Functions and features

2.1 Application area

The unit monitors the flow of liquid and gaseous media.

2.2 Operating principle flow monitoring

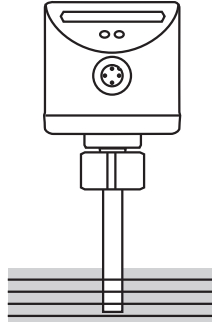
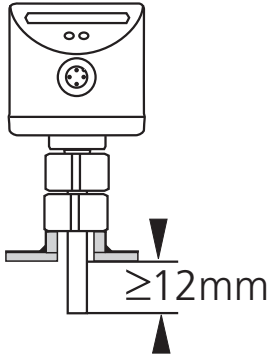
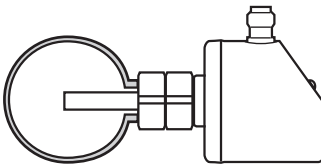
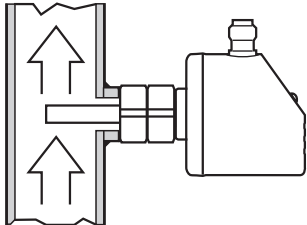
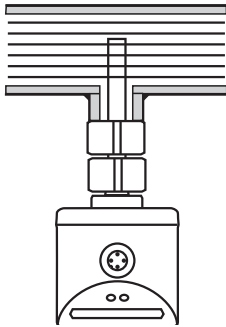
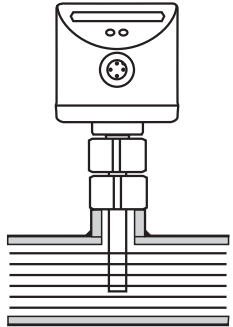
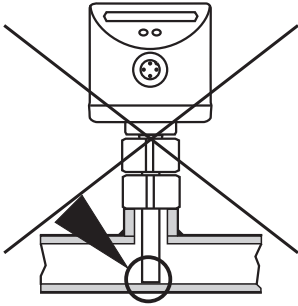
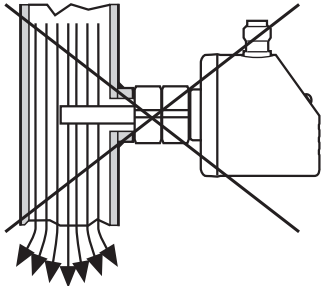
- The unit detects the flow speed to the calorimetric measuring principle and switches the output:
 - output closed if medium is flowing / output open if no medium is flowing.This applies to the unit on delivery: output = normally open. In case of need you can change the output to normally closed (→ 7.2). It then applies: output open if medium is flowing.
- If the flow speed increases, the switching status changes when the switch point is reached.
- If the flow speed falls again, the switching status changes if the value "SP minus hysteresis" is reached.
The hysteresis changes with the flow speed and it is essentially influenced by the set monitoring range.
It is 2...5 cm/s for the setting 5...100 cm/s (= factory setting), it increases with higher flow speeds.
- The typical response time of the unit is 1...10 s. It can be influenced by the setting of the switch point:
 - Low switch point = quick reaction with rising flow.
 - High switch point = quick reaction with falling flow.

3 Installation

Using process adapters the unit can be adapted to different process connections.

- Adapters have to be ordered separately as accessories.
A correct fit of the unit and ingress resistance of the connection are only ensured using ifm adapters.
- For small flow rates ifm adapter blocks are available.

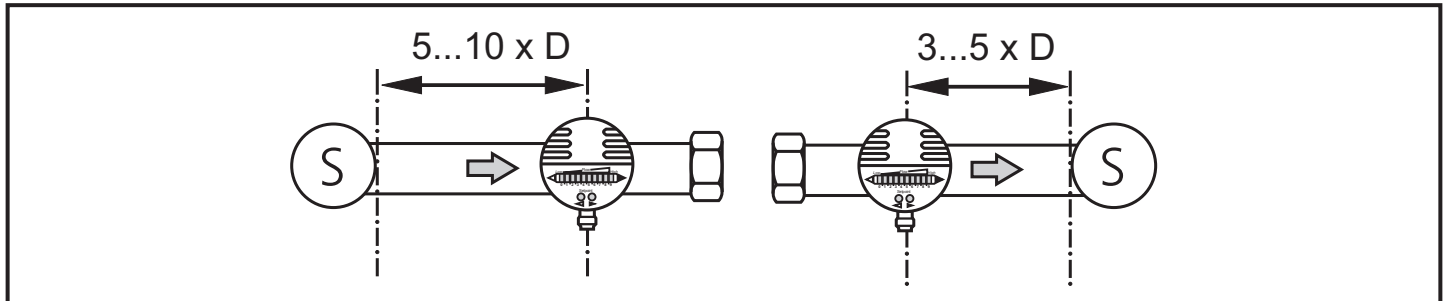
3.1 Installation location

<p>General</p> <ul style="list-style-type: none"> • The sensor tip is to be completely surrounded by the medium. • Insertion depth of the sensor: minimum 12 mm. 		
<p>Recommended</p> <ul style="list-style-type: none"> • For horizontal pipes: mounting from the side. • For vertical pipes: mounting in the rising pipe. 		
<p>Conditional</p> <ul style="list-style-type: none"> • Horizontal pipe /mounting from the bottom: if the pipe is free from build-up. • Horizontal pipe /mounting from the top: if the pipe is completely filled with medium. 		
<p>To avoid</p> <ul style="list-style-type: none"> • The sensor tip must not be in contact with the pipe wall. • Do not mount in downpipes that are open at the bottom! 		

3.2 Sources of interference in the pipe system

Components integrated in the pipes, bends, valves, reductions, etc. lead to turbulence of the medium. This affects the function of the unit.

Recommendation: Adhere to the distances between sensor and sources of interference:

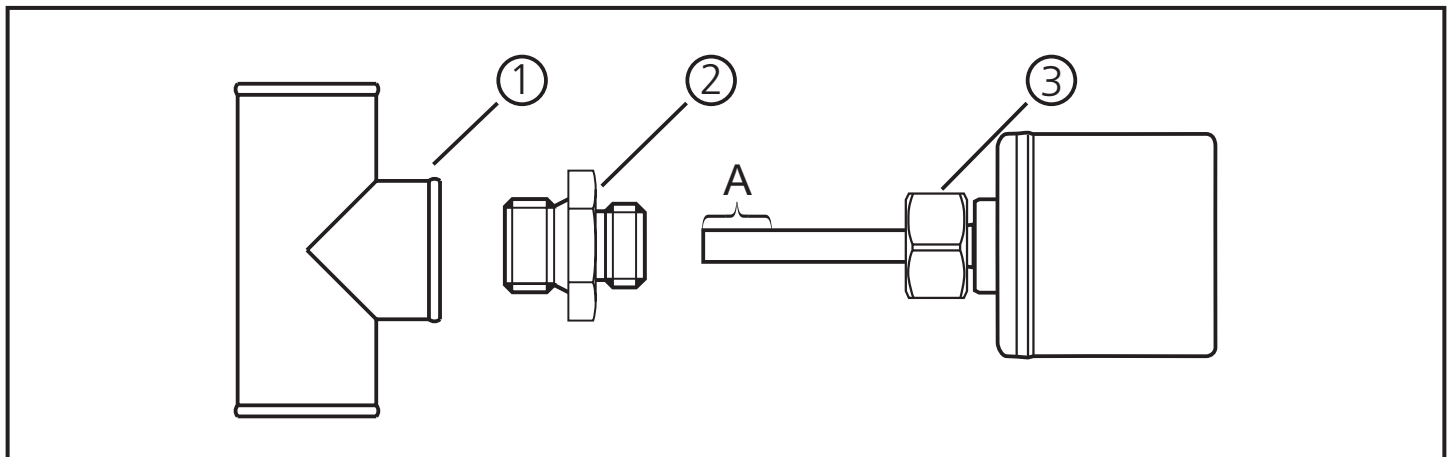


D = pipe diameter; S = sources of interference

3.3. Mounting operation



- ▶ Ensure that the system is free of pressure during installation.
- ▶ Ensure that no media can leak at the mounting location during installation.



- ▶ Grease the threads of the process connection (1), adapter (2) and nut (3).
Note: The sensor tip (A) must not be in contact with grease.
- ▶ Screw the suitable adapter into the process connection.
- ▶ Place the flow monitor onto the adapter and tighten the nut. Tightening torque 25 Nm. Ensure that the unit is correctly oriented.

4 Electrical connection

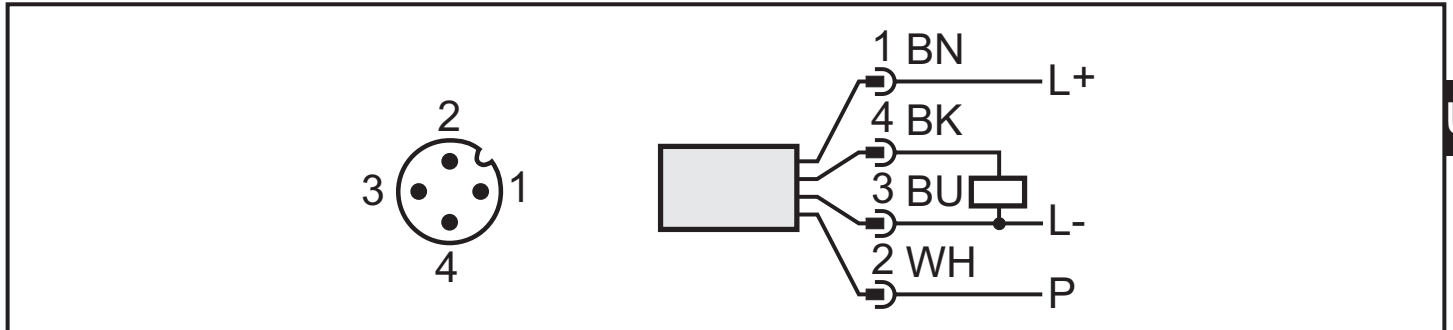


The unit must be connected by a qualified electrician.

The national and international regulations for the installation of electrical equipment must be adhered to.

Voltage supply to EN 50178, SELV, PELV.

- ▶ Disconnect power.
- ▶ Connect the unit as follows:



Core colours of ifm sockets:

P: programming wire (for remote adjustment) → 7.5)

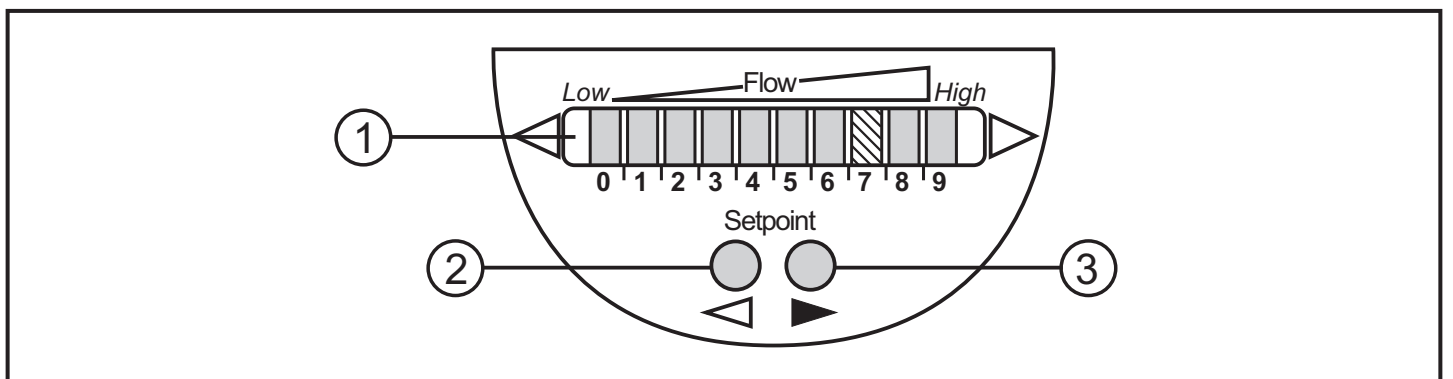
1 = BN (brown), 2 = WH (white), 3 = BU (blue), 4 = BK (black)



Use 4-wire connection cables without a link between pins 2 and 4.

With 3-wire sockets with a link between pin 2 and pin 4 switching of the output stage triggers the remote adjustment.

5 Operating and display elements



1: Operation display

- The green LEDs indicate the current flow (the LEDs 0 to 9 represent the range between no flow and maximum flow).
- A lighting LED indicates the position of the switch point (orange = output closed, red = output open).

2, 3: Setting buttons for adjustment and configuration

6 Set-up and settings for water

(For media other than water → 7.1: Low flow adjustment).

- ▶ Switch on the supply voltage.
- > All LEDs light and go out again step by step. During this time the output is closed (if configured as normally open). The unit is in the operating mode.
- ▶ Let the normal flow circulate in the installation.
- ▶ Check the display and determine further actions.

1		<p>The factory setting is suitable for the application.</p> <ul style="list-style-type: none"> ▶ No further settings are required.
2		<p>Your normal flow is below the representation range of the display.</p> <p>2 setting options:</p> <ul style="list-style-type: none"> ▶ Change the switch point (→ 6.1). ▶ Carry out high flow adjustment (→ 6.2).
3		<p>Your normal flow exceeds the representation range of the display (LED 9 flashes).</p> <ul style="list-style-type: none"> ▶ Carry out high flow adjustment (→ 6.2).

You can restore the factory setting any time. (→ 7.3).

6.1 Change the switch point (optional)


For the factory setting the switch point is at LED 7. A change makes sense if:

- the display shows example 2.
- the flow fluctuates much or pulsates.
- if a faster response time of the unit is requested (low switch point = fast response with rising flow, high switch point = fast response with falling flow).
- ▶ Briefly press the pushbutton ◀ or ▶.
- > The switch point LED flashes.
- ▶ Press the pushbutton ◀ or ▶ as often as required. Each press of the pushbutton shifts the LED by one position in the indicated direction.

Note: If no pushbutton is pressed for 2 s, the unit returns to the operating mode with the newly set value.

6.2 High flow adjustment (optional)

The unit determines the existing flow as normal flow and adapts the display representation (all LEDs except the switch point LED light green).

- ▶ Let the normal flow circulate in the installation.
- ▶ Press the pushbutton  and keep it pressed.
- > LED 9 lights, after approx. 5 s it flashes.
- ▶ Release the pushbutton.

The unit is now adapted to your flow conditions. It passes into the operating mode, the display should now show example 1.

Note: The adjustment affects the switch point: It is increased proportionally (maximum up to LED 7).

Remote adjustment → 7.5.


UK

7 Additional settings (optional)

7.1 Low flow adjustment

If the unit is used in media other than water, you should additionally adapt the unit to the minimum flow.


Note: The following adjustment must only be carried out after the high flow adjustment.

- ▶ Let the minimum flow circulate in the installation or ensure flow standstill.
- ▶ Press the pushbutton  and keep it pressed.
- > LED 0 lights, after approx. 5 s it flashes.
- ▶ Release the pushbutton. The unit adopts the new value and passes into the operating mode.

Remote adjustment → 7.5.


7.2 Configure the switching output

The unit is delivered as normally open. In case of need you can change the output to normally closed:

- ▶ Press the pushbutton  for at least 15 s.
- > LED 0 lights, after approx. 5 s it flashes.
- > After 10 s the current setting is displayed: LEDs 5...9 light orange (= output normally open).
- > After approx. 15 s LEDs 0...4 flash orange.
- ▶ Release the pushbutton. The output is changed to normally closed operation.

For a new changeover repeat the operation.

7.3 Restore the factory setting (reset)

- ▶ Press the pushbutton  for at least 15 s.
- > LED 9 lights, after approx. 5 s it flashes.
- > After approx. 15 s LEDs 0...9 flash orange.
- ▶ Release the pushbutton. All settings are reset to the factory setting:
 - operating area: 5 ...100 cm/s for water
 - switch point: LED 7
 - output function: NO
 - unlocked.

7.4 Lock / unlock the unit

The unit can be locked electronically to prevent unintentional settings.

- ▶ Press both setting pushbuttons simultaneously for at least 10 s in the operating mode.
 - > The indication goes out, the unit locks or unlocks.
- On delivery: unlocked.

7.5 Remote adjustment

You can adapt the unit to new flow conditions any time.

- Apply the operating voltage for $> 5 \dots < 10$ s to Pin 2 = high flow adjustment.
- Apply the operating voltage for $> 10 \dots < 15$ s to Pin 2 = low flow adjustment.

This adjustment does not affect the switch point (the relative position is not changed).

8 Error during adjustment

If no adjustment is possible, all LEDs flash red. The unit then passes into the operating mode with unchanged values.



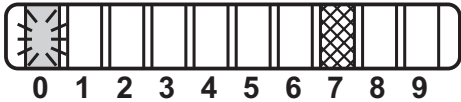
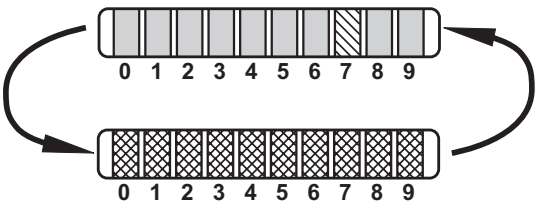
Possible cause /aid:

Error during installation.	▶ Read chapter 3 Installation. Check whether all requirements have been met.
The difference between maximum flow and minimum flow is too small.	▶ Increase the flow difference and carry out the adjustment once again.
The sequence high flow /low flow adjustment was not adhered to.	▶ Carry out the two adjustment operations again in the right sequence.

9 Operation

After every power on all LEDs light and go out again step by step (during this time the output is closed if configured as normally open). The unit is then ready for operation.

In case of power failure or interruption all settings remain.

Operating indicators	
 <p>0 1 2 3 4 5 6 7 8 9</p>	<p>Green LED bar: Current flow within the representation range. Indication of the switch point (SP): - LED orange: output closed. - LED red: output open.</p>
 <p>0 1 2 3 4 5 6 7 8 9</p>	<p>LED 9 flashes: current flow above the representation range.</p>
 <p>0 1 2 3 4 5 6 7 8 9</p>	<p>LED 0 flashes: current flow far below the representation range.</p>
Interference indicator	
 <p>0 1 2 3 4 5 6 7 8 9</p> <p>0 1 2 3 4 5 6 7 8 9</p>	<p>Short circuit at the switching output: The operating indicator and red LEDs light alternately. If the short circuit has been rectified, the unit immediately passes into the normal operating state. The current operating state is displayed.</p>
<p>Display OFF (no LED lights):</p>	<p>Operating voltage too low (< 19 V) or failed. Ensure a correct voltage supply.</p>

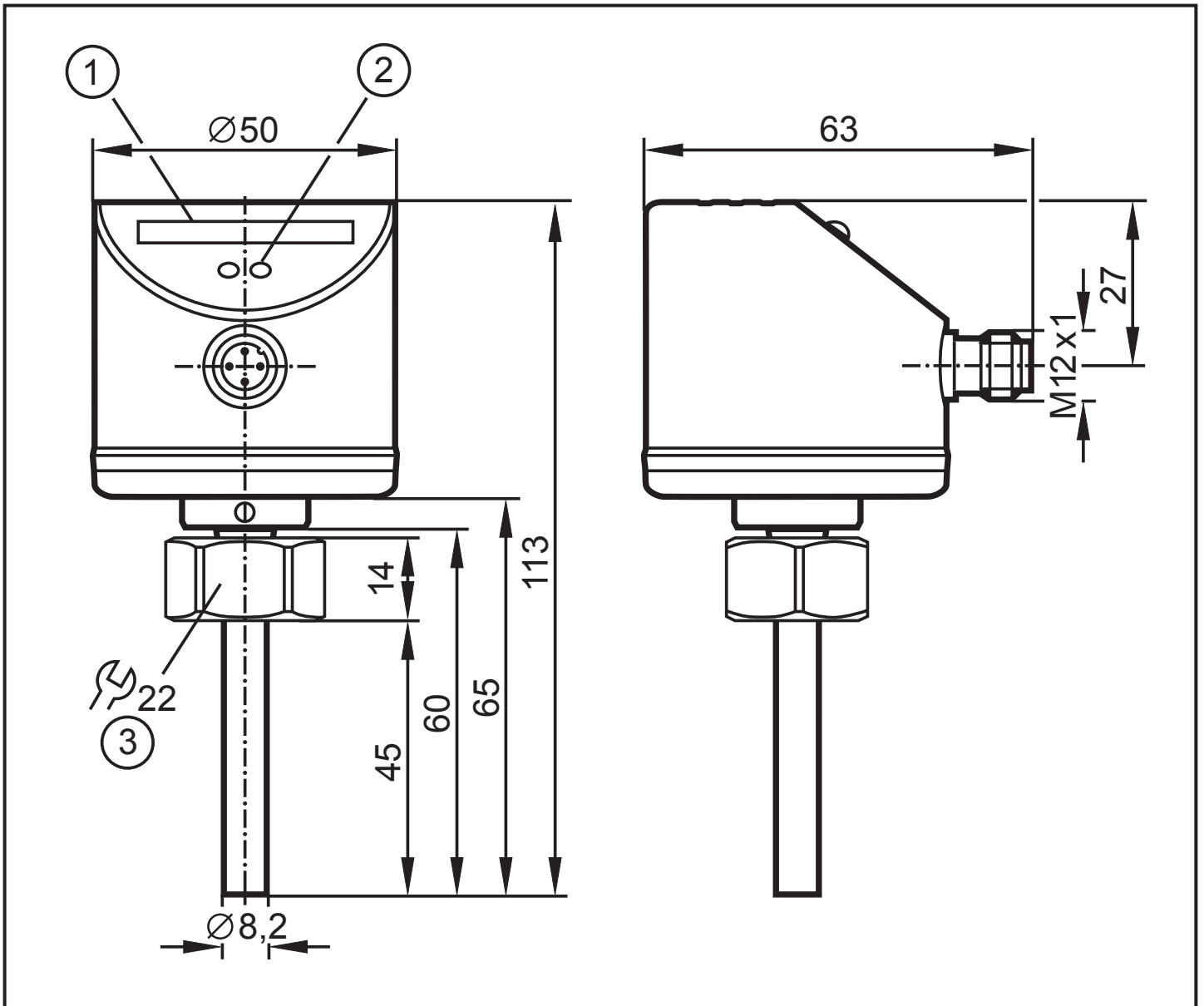
UK

10 Maintenance

Recommended maintenance:

- ▶ Check the sensor tip for build-up from time to time.
- ▶ Clean it using a soft cloth. Stubborn build-up (e.g. lime) can be removed using a common vinegar cleaning agent.

11 Scale drawing



- 1: LED bar display
- 2: set button
- 3: tightening torque 25 Nm

12 Technical data

Application area	Liquids and gases
Operating voltage [V]	19 ... 36 DC ¹⁾
Current rating [mA]	250
Short-circuit protection, pulsed; reverse polarity / overload protection	
Voltage drop [V]	< 2.5
Current consumption [mA]	< 60
Power-on delay time [s]	10, optically indicated

Liquids	
Medium temperature [°C]	-25 ... +80
Setting range [cm/s].....	3 ... 300
Greatest sensitivity [cm/s]	3...100
Temperature gradient [K/min]	300
Gases	
Medium temperature [°C]	-25 ... +80
Setting range [cm/s].....	200 ... 3000
Greatest sensitivity [cm/s].....	200 ... 800
Switch point accuracy [cm/s]	$\pm 2... \pm 10^{2)}$
Hysteresis [cm/s]	$2...5^{2)}$
Repeatability [cm/s]	$1...5^{2)}$
Temperature drift [cm/s x 1/K].....	$0.1^{3)}$
Response time [s].....	1 ... 10
Pressure resistance [bar].....	300
Operating temperature [°C]	-25 ... 80
Protection rating	IP 67
Protection class	III
Shock resistance [g]	50 (DIN / IEC 68-2-27, 11 ms)
Vibration resistance [g].....	20 (DIN / IEC 68-2-6, 55-2000 Hz)
Housing materials.....	stainless steel 316L / 1.4404; stainless steel 304 / 1.4301; PC (Makrolon); PBT-GF 20; EPDM/X (Santoprene)
Materials (wetted parts).....	Hastelloy (2.4610); O-ring: FPM 8x1.5 gr 80° Shore A
EMC	
EN 61000-4-2 ESD:	4 kV CD / 8 kV AD
EN 61000-4-3 HF radiated:	10 V/m
EN 61000-4-4 Burst:	2 kV
EN 61000-4-6 HF conducted:	10 V

¹⁾ to EN50178, SELV, PELV;

²⁾ for water; 5...100 cm/s; 25°C (factory setting)

³⁾ for water; 5...100 cm/s; 10...70°C

The sensor conforms to the standard EN 61000-6-2

More information at www.ifm.com