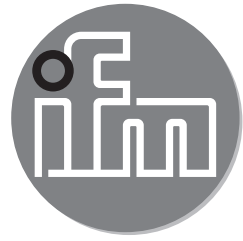


ifm electronic

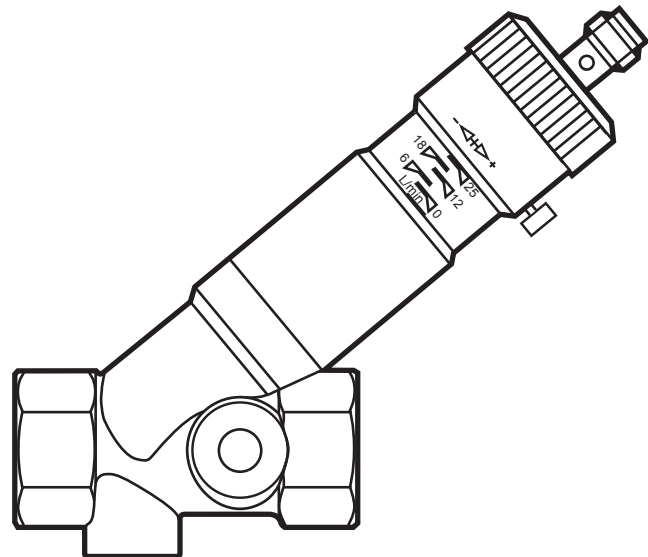


Operating instructions
Mechatronic flow sensor

efector300[®]

SBY323

UK



03/2011

704678/03

Contents

1 Safety instructions	2
2 Functions and features	3
3 Installation.....	3
4 Electrical connection.....	4
5 Switch point setting.....	4
5.1 Definition of requested value	5
5.2 Adjustment to existing flow	5
6 Operation	6
7 Maintenance, repair and disposal.....	6
8 Scale drawing	7
9 Technical data	8

1 Safety instructions

- Please read the product description prior to set-up of the unit. Ensure that the product is suitable for your application without any restrictions.
- Improper or non-intended use may lead to malfunctions of the unit or to unwanted effects in your application. That is why installation, electrical connection, set-up, operation and maintenance of the unit must be carried out by qualified personnel authorised by the plant operator.
- Check the compatibility of the product materials (see technical data) with the media to be monitored in all applications.

2 Functions and features

The unit monitors liquid media (water, glycol solutions, oils).

It detects the volumetric flow quantity to the principle of differential pressure and switches the output:

- Output closed (LED = ON), if volumetric flow quantity \geq switch point.
- Output open (LED = OFF), if volumetric flow quantity $<$ switch point.

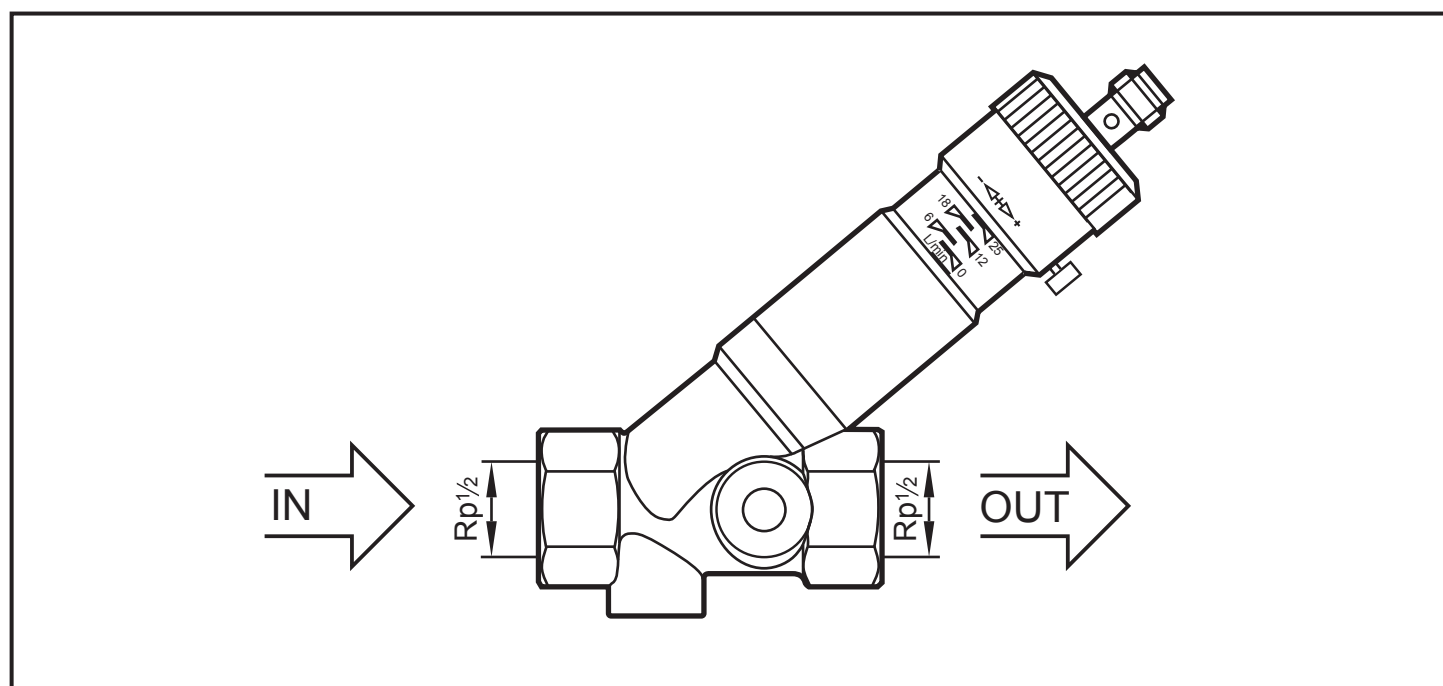
The switch point is adjustable.

3 Installation



- ▶ Ensure that the system is free of pressure during installation.
- ▶ Ensure that no media can leak at the mounting location during installation.

- ▶ Install the unit according to the marked flow direction into a pipe Rp 1/2 and tighten firmly.



IN = inlet
OUT = outlet

4 Electrical connection

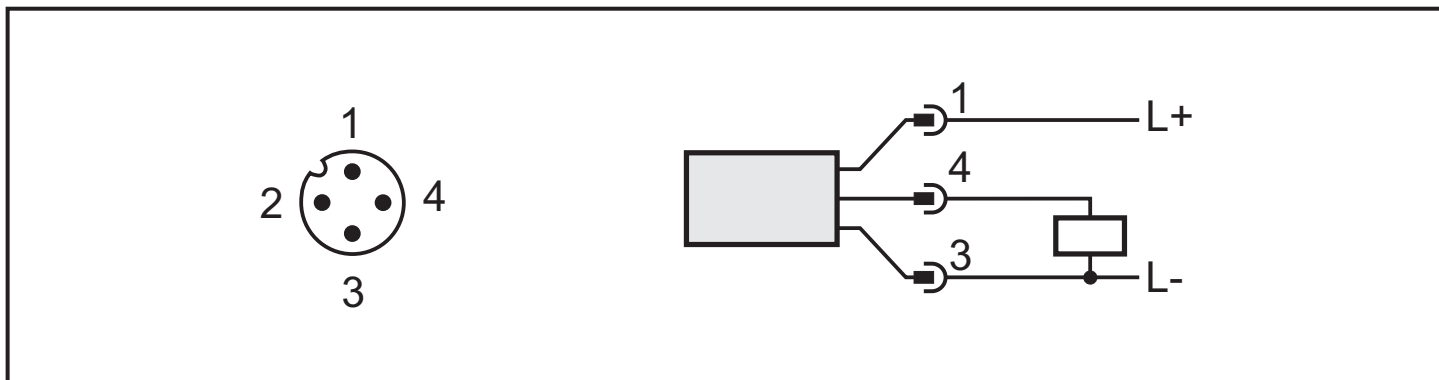


The unit must be connected by a qualified electrician.

The national and international regulations for the installation of electrical equipment must be adhered to.

Voltage supply to EN 50178, SELV, PELV.

- ▶ Disconnect power.
- ▶ Connect the unit as follows:



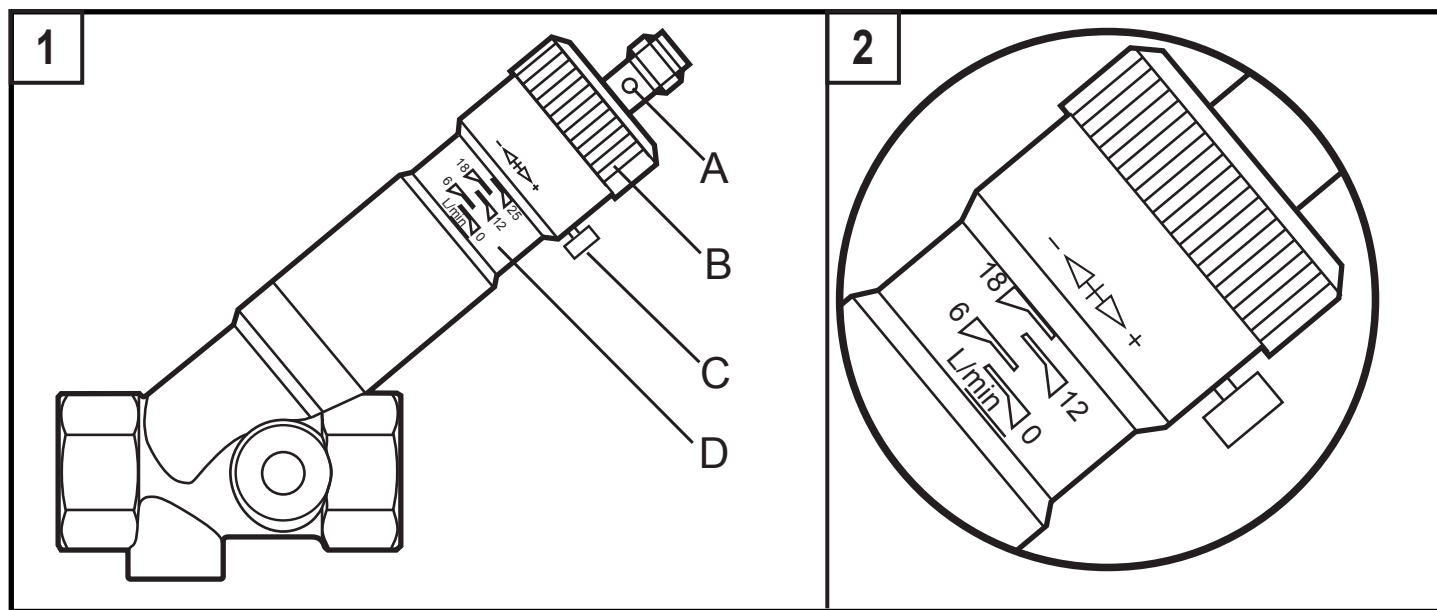
For information about available sockets/connectors see:

www.ifm.com → Products → Accessories

5 Switch point setting

There are 2 possibilities:

- Definition of requested value → 5.1.
- Adjustment to existing flow → 5.2.



A: LED; B: setting screw; C: lock screw; D: setting scale



Do not turn the setting screw beyond the maximum value of the setting range (→ Technical data) to avoid faulty switching.

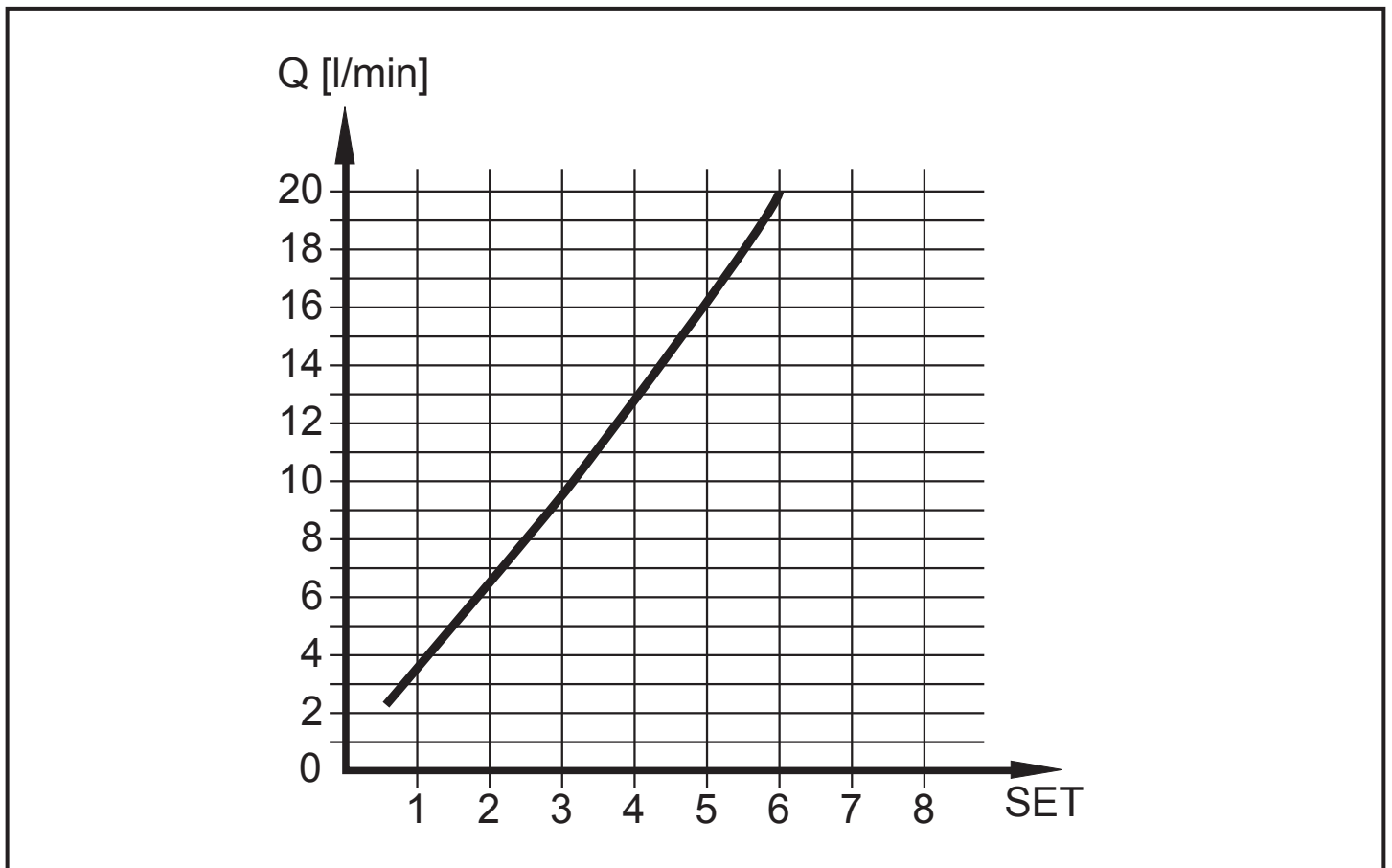
5.1 Definition of requested value

- ▶ Loosen the lock screw.
- ▶ Turn the setting screw until the requested value just becomes visible on the setting scale. → Example in figure 2: requested value = 10 l/min.
- ▶ Tighten the lock screw.

5.2 Adjustment to existing flow

- ▶ Let the normal flow circulate in the installation.
- ▶ Loosen the lock screw.
- ▶ Set the switch point with the setting screw.
 - If the LED lights before setting: turn the setting screw in the direction [+] until the LED goes out. Then turn in the opposite direction [-] until the LED lights.
 - If the LED does not light before setting: turn the setting screw in the direction [-] until the LED lights.
- ▶ Tighten the lock screw.

Correlation between number of the turns of the setting screw (SET) and switch point in l/min: One complete turn corresponds to 2.5 l/min.

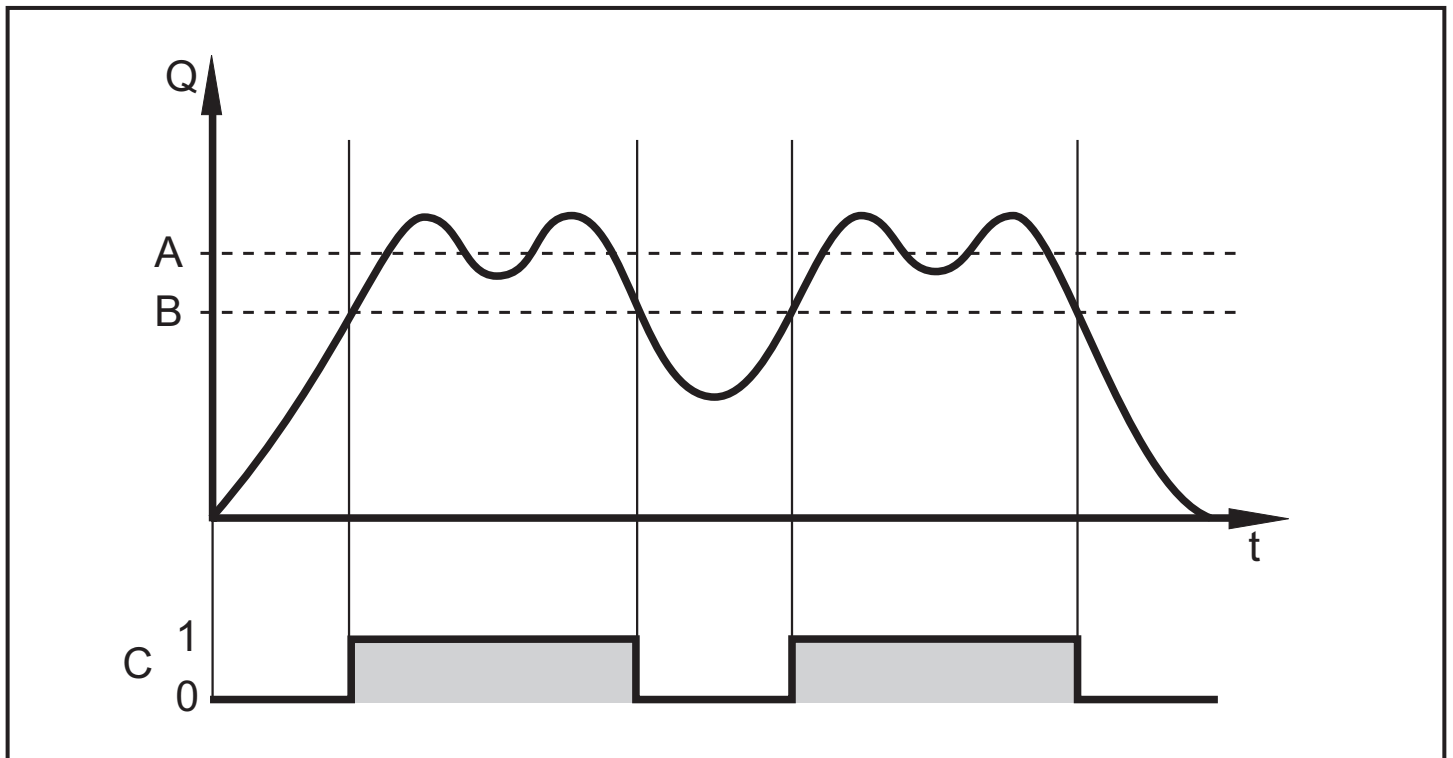


The diagram shows the typical course of the measurement curves for water at 20 °C.

6 Operation

After power on the unit is ready for operation. It detects the volumetric flow quantity and switches the output according to the setting.

Function diagram



A = requested flow; B = switch point; C = switching output

7 Maintenance, repair and disposal

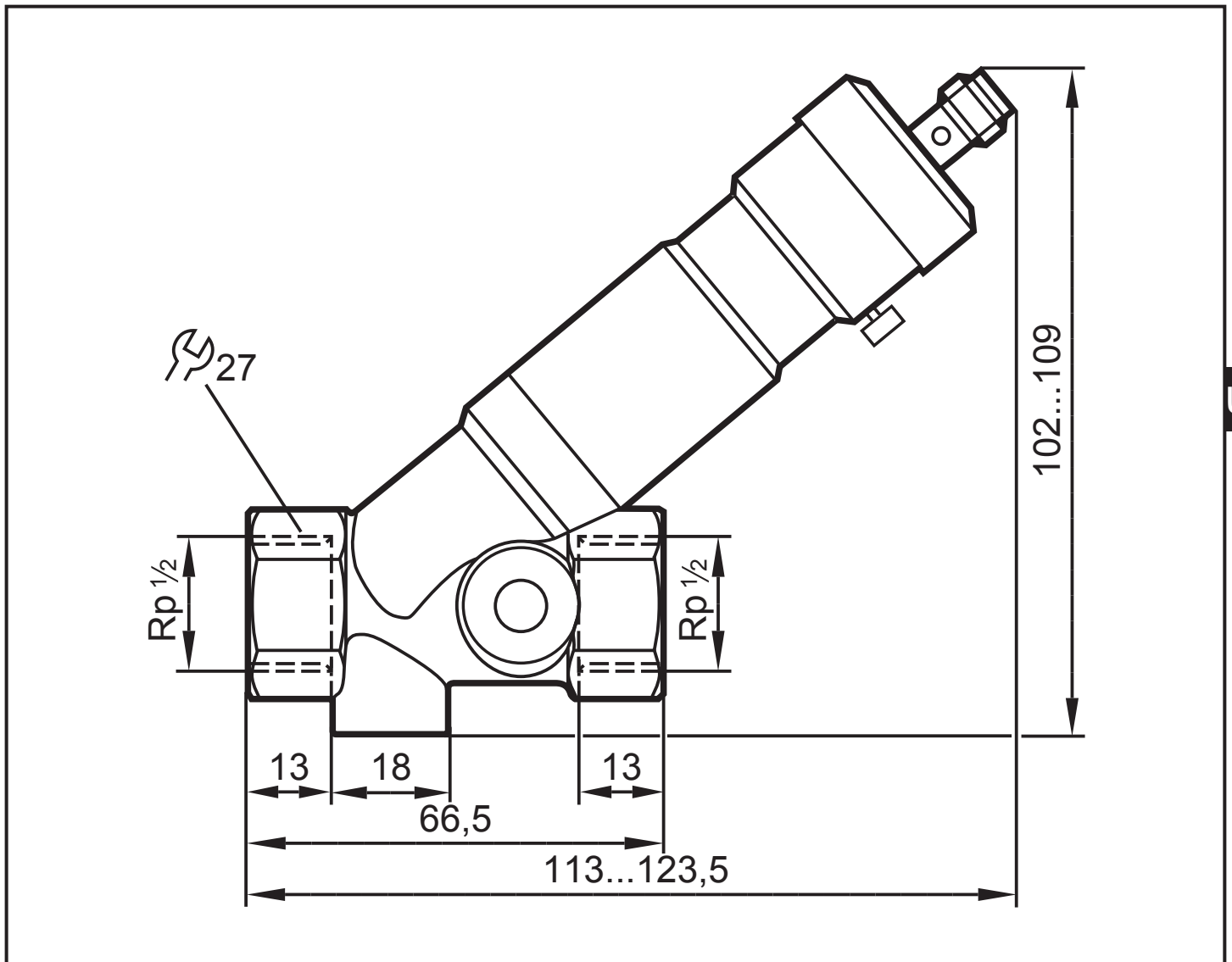
In case of correct use no maintenance and repair measures are necessary.

In case of strongly polluted media: mount a filter in front of the inlet (IN). Recommendation: use a 50-micron filter.

Only the manufacturer is allowed to repair the unit.

After use dispose of the unit in an environmentally friendly way in accordance with the applicable national regulations.

8 Scale drawing



dimensions are in millimeters

9 Technical data

Setting range [l/min].....	2...20																																														
Flow range max. [l/min]	100																																														
Operating voltage [V].....	24 DC (-15 % / +10 %)																																														
Current rating [mA]	100																																														
Protected against short circuits, reverse polarity and overload																																															
Voltage drop [V]	< 2.5																																														
Current consumption [mA].....	< 15																																														
Hysteresis [l/min]	0.3...4																																														
Repeatability [% of value of measuring range]	1																																														
Accuracy [% of value of measuring range]	± 5																																														
Response time [s].....	< 0.01																																														
Pressure loss (dP) / flow rate (Q)																																															
<table border="1"> <caption>Pressure loss (dP) / flow rate (Q) data points</caption> <thead> <tr> <th>Flow rate (Q) [l/min]</th> <th>Pressure loss (dP) [bar]</th> </tr> </thead> <tbody> <tr><td>0</td><td>0</td></tr> <tr><td>0.5</td><td>0.05</td></tr> <tr><td>1</td><td>0.055</td></tr> <tr><td>2</td><td>0.06</td></tr> <tr><td>3</td><td>0.065</td></tr> <tr><td>4</td><td>0.07</td></tr> <tr><td>5</td><td>0.075</td></tr> <tr><td>6</td><td>0.08</td></tr> <tr><td>7</td><td>0.085</td></tr> <tr><td>8</td><td>0.09</td></tr> <tr><td>9</td><td>0.095</td></tr> <tr><td>10</td><td>0.10</td></tr> <tr><td>11</td><td>0.105</td></tr> <tr><td>12</td><td>0.11</td></tr> <tr><td>13</td><td>0.115</td></tr> <tr><td>14</td><td>0.12</td></tr> <tr><td>15</td><td>0.125</td></tr> <tr><td>16</td><td>0.13</td></tr> <tr><td>17</td><td>0.135</td></tr> <tr><td>18</td><td>0.14</td></tr> <tr><td>19</td><td>0.145</td></tr> <tr><td>20</td><td>0.15</td></tr> </tbody> </table>		Flow rate (Q) [l/min]	Pressure loss (dP) [bar]	0	0	0.5	0.05	1	0.055	2	0.06	3	0.065	4	0.07	5	0.075	6	0.08	7	0.085	8	0.09	9	0.095	10	0.10	11	0.105	12	0.11	13	0.115	14	0.12	15	0.125	16	0.13	17	0.135	18	0.14	19	0.145	20	0.15
Flow rate (Q) [l/min]	Pressure loss (dP) [bar]																																														
0	0																																														
0.5	0.05																																														
1	0.055																																														
2	0.06																																														
3	0.065																																														
4	0.07																																														
5	0.075																																														
6	0.08																																														
7	0.085																																														
8	0.09																																														
9	0.095																																														
10	0.10																																														
11	0.105																																														
12	0.11																																														
13	0.115																																														
14	0.12																																														
15	0.125																																														
16	0.13																																														
17	0.135																																														
18	0.14																																														
19	0.145																																														
20	0.15																																														
Housing materials.....	brass chemically nickel-plated; aluminium anodised; PP																																														
Materials (wetted parts).....	stainless steel (304S15); brass chemically nickel-plated; PP; O-ring: FPM (Viton)																																														
Protection	IP 67 III																																														
Switching cycles min.	10 million																																														
Medium temperature [°C]	0...85																																														
Operating temperature [°C]	0...60																																														
Pressure resistance [bar].....	25																																														

Further information at www.ifm.com

