

## Datasheet

Miniature self-contained photoelectric sensors in universal housing



Standard Model

Chemical-Resistant Model

- Bright, visible red (640 nm) light source
- Standard models available with 4-wire 2 m (6.5 ft) or 9 m (30 ft) cable or 3 or 4-wire 150 mm (6 in) pigtail with Pico-style M8 threaded connector
- Solid-state, bipolar outputs: one current sourcing (PNP) and one current sinking (NPN) standard on 4-wire models
- Single output solid-state PNP or NPN standard on Q3 models
- Light Operate (L.O.) or Dark Operate (D.O.), depending on model
- Models available with PFA chemical-resistant jacket (1200 psi washdown rated) for use in harsh environments
- Compact 8 mm (0.31 in) housing mounts almost anywhere
- Crosstalk avoidance circuitry for applications with multiple sensors
- LED status indicators for Power ON, Output Overload, Signal Received, and Marginal Signal
- Models with black housing are available



**WARNING: Not To Be Used for Personnel Protection**

Never use this device as a sensing device for personnel protection. Doing so could lead to serious injury or death. This device does not include the self-checking redundant circuitry necessary to allow its use in personnel safety applications. A sensor failure or malfunction can cause either an energized or de-energized sensor output condition.

## Chemical-Resistant Models

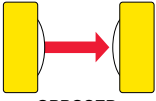


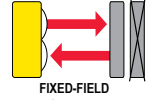
Sensing Mode	Model <sup>1 2</sup>	Range	Output
<p><b>OPPOSED</b></p> <p>Effective Beam: 5.7 mm (0.22 in)</p>	Q126ECR	1.5 m (4.9 ft)	N/A
	Q12AB6RCR		Bipolar LO
	Q12RB6RCR		Bipolar DO
Performance based on use of 90% reflectance white test card.			
<p><b>FIXED-FIELD VISIBLE RED</b></p> <p>640 nm Visible Red</p>	Q12AB6FF15CR	13 mm (0.5 in) cutoff; 8 mm (0.3 in) focus	Bipolar LO
	Q12RB6FF15CR		Bipolar DO
	Q12AB6FF30CR	28 mm (1.1 in) cutoff; 14 mm (0.6 in) focus	Bipolar LO
	Q12RB6FF30CR		Bipolar DO
	Q12AB6FF50CR	48 mm (1.9 in) cutoff; 14 mm (0.6 in) focus	Bipolar LO
	Q12RB6FF50CR		Bipolar DO

<sup>1</sup> Only standard 2 m (6.5 ft) cables are available for chemical-resistant models.

<sup>2</sup> For black housing, add prefix D to the model number, for example, DQ12AB6FF15CR.



## Standard Models

Sensing Mode	Model <sup>3 4</sup>	Range	Output
640 nm Visible Red	Q126E (emitter)		N/A
 <p><b>OPPOSED</b></p> <p>Effective Beam: 5.7 mm (0.22 in)</p>	Q12AB6R	2 m (6.5 ft)	Bipolar LO
	Q12RB6R		Bipolar DO
	Q12AP6RQ3		1 PNP LO
	Q12RP6RQ3		1 PNP DO
	Q12AN6RQ3		1 NPN LO
	Q12RN6RQ3		1 NPN DO
 <p><b>POLAR RETRO</b></p> <p>640 nm Visible Red</p>	Q12AB6LP	1 m (40 in) <sup>5</sup>	Bipolar LO
	Q12RB6LP		Bipolar DO
	Q12AP6LPQ3		1 PNP LO
	Q12RP6LPQ3		1 PNP DO
	Q12AN6LPQ3		1 NPN LO
	Q12RN6LPQ3		1 NPN DO
 <p><b>RETRO</b></p> <p>640 nm Visible Red</p>	Q12AB6LV	1.5 m (59 in) <sup>5</sup>	Bipolar LO
	Q12RB6LV		Bipolar DO
	Q12AP6LVQ3		1 PNP LO
	Q12RP6LVQ3		1 PNP DO
	Q12AN6LVQ3		1 NPN LO
	Q12RN6LVQ3		1 NPN DO
Performance based on use of 90% reflectance white test card.			
 <p><b>FIXED-FIELD VISIBLE RED</b></p> <p>640 nm Visible Red</p>	Q12AB6FF15	15 mm (0.6 in) cutoff; 10 mm (0.4 in) focus	Bipolar LO
	Q12RB6FF15		Bipolar DO
	Q12AP6FF15Q3		1 PNP LO
	Q12RP6FF15Q3		1 PNP DO
	Q12AN6FF15Q3		1 NPN LO
	Q12RN6FF15Q3		1 NPN DO
	Q12AB6FF30	30 mm (1.2 in) cutoff; 16 mm (0.63 in) focus	Bipolar LO
	Q12RB6FF30		Bipolar DO
	Q12AP6FF30Q3		1 PNP LO
	Q12RP6FF30Q3		1 PNP DO
	Q12AN6FF30Q3		1 NPN LO
	Q12RN6FF30Q3		1 NPN DO
	Q12AB6FF50	50 mm (2 in) cutoff; 16 mm (0.63 in) focus	Bipolar LO
	Q12RB6FF50		Bipolar DO
Q12AP6FF50Q3	1 PNP LO		
Q12RP6FF50Q3	1 PNP DO		

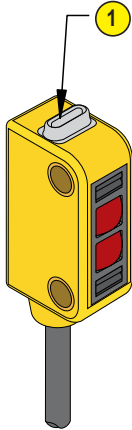
<sup>3</sup> For black housing, add prefix D to the model number, for example DQ12AB6FF15.

<sup>4</sup> Q3 models: 3-pin Pico-style (M8 threaded) 150 mm (6 in) pigtail QD. Not available for bipolar models. For 9 m (30 ft) cable, add suffix W/30 to the model number, for example, Q126E W/30. For 4-pin Pico-style (M8 threaded) 150 mm (6 in) pigtail QD, add suffix Q to the model number, for example, Q126EQ. For 4-pin Euro-style (M12 threaded) 150 mm (6 in) pigtail QD, add suffix Q5 to the model number, for example Q126EQ5.

<sup>5</sup> Retroreflective range is specified using one model BRT-60X40C retroreflector. Actual sensing range may be more or less than specified, depending upon efficiency and reflective area of the retroreflector(s) used.

Sensing Mode	Model <sup>3</sup> <sup>4</sup>	Range	Output
	Q12AN6FF50Q3		1 NPN LO
	Q12RN6FF50Q3		1 NPN DO

## Indicator Features



### 1 - Amber and green LEDs

- Green on: power to sensor is on
- Green flashing: output is overloaded
- Amber on: received signal
- Amber flashing: marginal signal

Chemical-Resistant models: LEDs are visible through translucent PFA jacket. Rated to 1200 psi washdown.

## Specifications

### Supply Voltage and Current

10 to 30 V dc (10% maximum ripple) at 20 mA maximum current

### Sensing Beam

640 nm visible red

### Supply Protection Circuitry

Protected against reverse polarity and transient voltages

### Output Protection Circuitry

Protected against false pulse on power-up, short-circuit protected

### Output Response Time

Opposed Mode: 1.3 ms ON; 900 µs OFF

All Other Modes: 700 µs ON/OFF

NOTE: 120 ms delay on power-up; outputs do not conduct during this time.

### Indicators

One Yellow and one Green LED (see Figure 1)

### Construction

Polarized Retro Models: Thermoplastic elastomer housing with glass lens

All Other Standard Models: Thermoplastic elastomer housing with polycarbonate lens

Chemical-Resistant Models: Housing encased in PFA jacket; cable encased in 3/16 in O.D. PFA tubing

### Output Configuration

Bipolar (1 NPN and 1 PNP) solid-state output or Single output (PNP or NPN), LO or DO, depending on model

### Output Ratings

OFF-state leakage current:

NPN: 200 µA

PNP: 10 µA

ON-state saturation voltage:

NPN: 1.25 V at 50 mA

PNP: 1.45 V at 50 mA

### Repeatability

175 microseconds

### Switching Frequency

Opposed Mode: 385 Hz

All Other Modes: 715 Hz

<sup>3</sup> For black housing, add prefix D to the model number, for example DQ12AB6FF15.

<sup>4</sup> Q3 models: 3-pin Pico-style (M8 threaded) 150 mm (6 in) pigtail QD. Not available for bipolar models. For 9 m (30 ft) cable, add suffix W/30 to the model number, for example, Q126E W/30. For 4-pin Pico-style (M8 threaded) 150 mm (6 in) pigtail QD, add suffix Q to the model number, for example, Q126EQ. For 4-pin Euro-style (M12 threaded) 150 mm (6 in) pigtail QD, add suffix Q5 to the model number, for example Q126EQ5.

**Connections**

Standard Models: 2 m (6.5 ft) or 9 m (30 ft) attached PVC cable, or 150 mm (6 in) pigtail with M8 or M12 threaded connection  
 Chemical-Resistant Models: 2 m (6.5 ft) cable encased in 3/16 in O.D. PFA tubing

**Environmental Rating**

Standard Models: IEC IP67  
 Chemical-Resistant Models: IEC IP67 (NEMA6) and PW12 1200 psi washdown per NEMA ICS5, Annex F-2002

**Operating Conditions**

Operating Temperature: -20 °C to +55 °C (-4 °F to +131 °F)  
 Storage Temperature: -30 °C to +75 °C (-22 °F to +167 °F)  
 95% at +50 °C maximum relative humidity (non-condensing)

**Certifications**



(Chemical-resistant models are not UR/UL approved.)

**Required Overcurrent Protection**



**WARNING:** Electrical connections must be made by qualified personnel in accordance with local and national electrical codes and regulations.

Overcurrent protection is required to be provided by end product application per the supplied table.  
 Overcurrent protection may be provided with external fusing or via Current Limiting, Class 2 Power Supply.

Supply wiring leads < 24 AWG shall not be spliced.

For additional product support, go to [www.bannerengineering.com](http://www.bannerengineering.com).

Supply Wiring (AWG)	Required Overcurrent Protection (Amps)
20	5.0
22	3.0
24	2.0
26	1.0
28	0.8
30	0.5

**Dimensions**

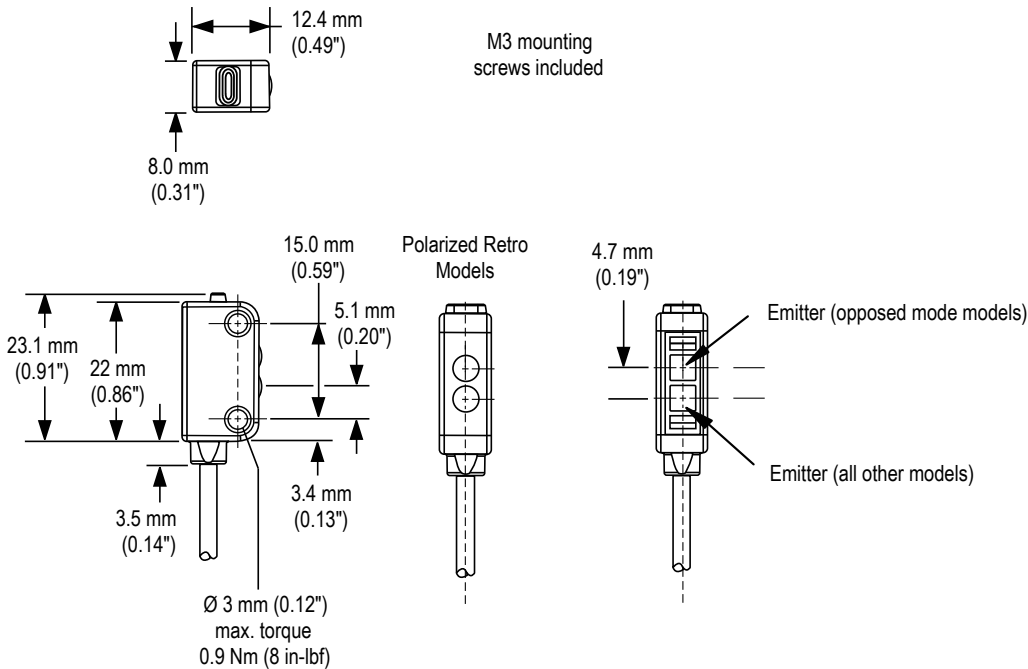


Figure 1. Standard Models

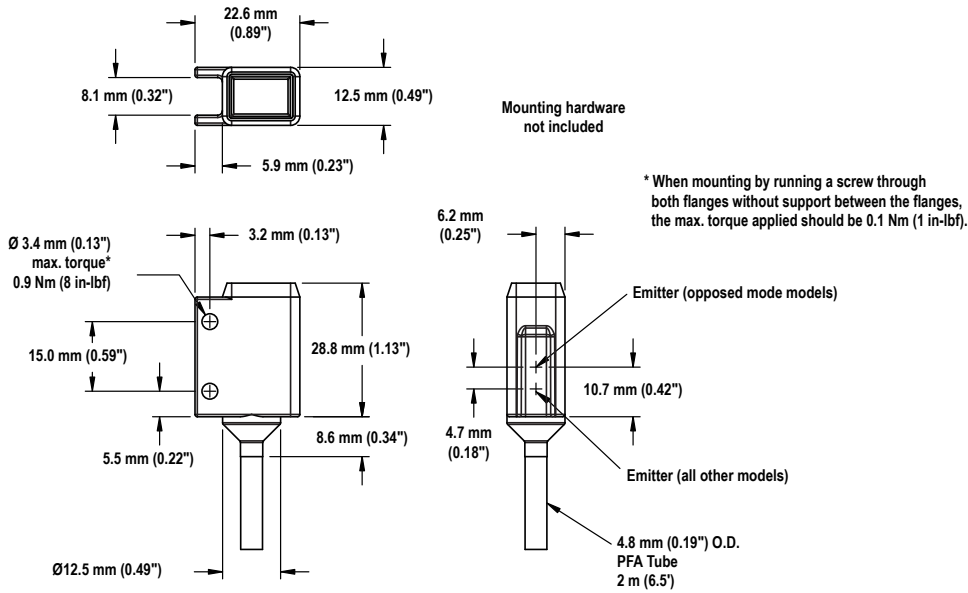
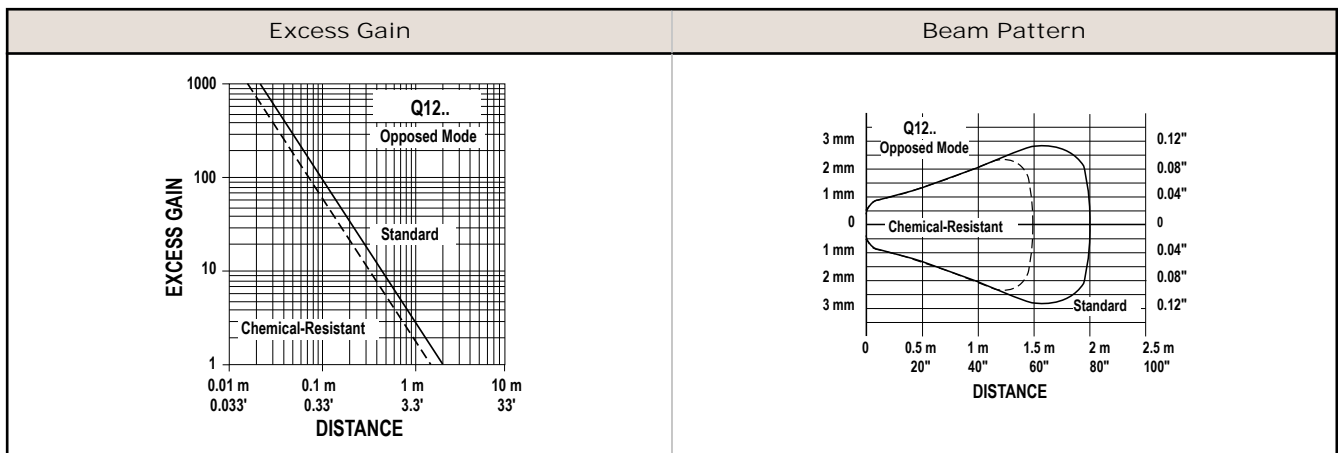


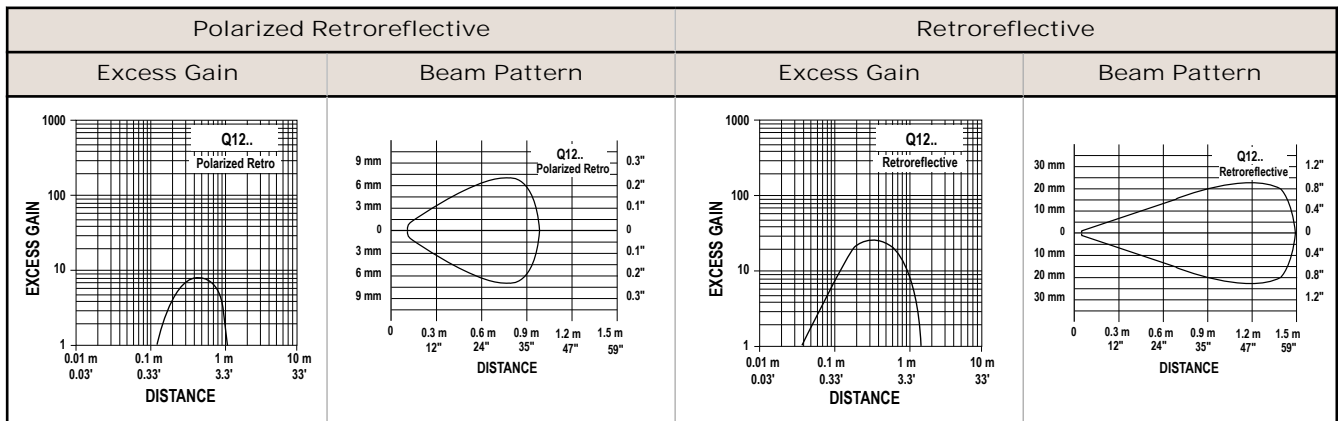
Figure 2. Chemical-Resistant Models

### Performance Curves - Opposed Mode



### Performance Curves - Retroreflective Mode

Performance is based on the use of a model BRT-60X40C retroreflector.

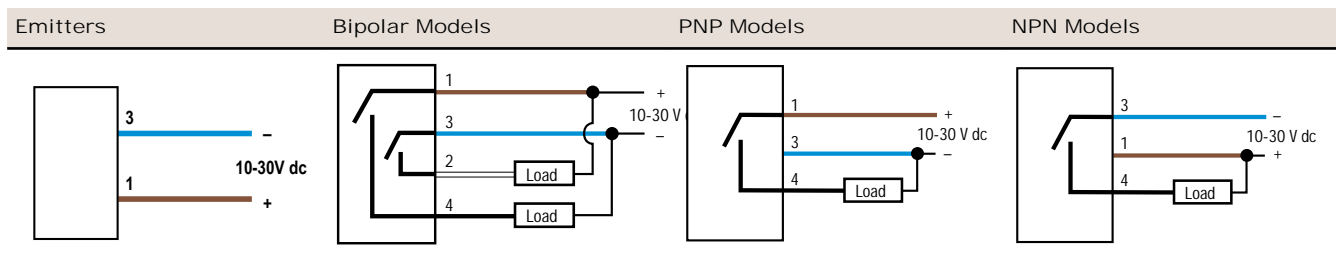


### Performance Curves - Fixed-Field

Focus and spot sizes are typical. Performance based on use of 90% reflectance white test card.\*

Fixed Field -- 15 mm	Fixed Field -- 30 mm	Fixed Field -- 50 mm
<p><b>Q12..FF15</b> Fixed-Field</p> <p>Standard Chemical-Resistant</p> <p>EXCESS GAIN</p> <p>DISTANCE</p>	<p><b>Q12..FF30</b> Fixed-Field</p> <p>Standard Chemical-Resistant</p> <p>EXCESS GAIN</p> <p>DISTANCE</p>	<p><b>Q12..FF50</b> Fixed-Field Mode</p> <p>Standard Chemical-Resistant</p> <p>EXCESS GAIN</p> <p>DISTANCE</p>
<p>Standard Models:</p> <ul style="list-style-type: none"> <li>• Ø 0.4 mm spot size at 10 mm focus</li> <li>• Ø 1.5 mm spot size at 15 mm cutoff</li> </ul> <p>Chemical-Resistant Models:</p> <ul style="list-style-type: none"> <li>• Ø 0.4 mm spot size at 8 mm focus</li> <li>• Ø 1.5 mm spot size at 13 mm cutoff</li> </ul> <p>* Using 18% gray test card: cutoff distance will be 95% of value shown. Using 6% black test card: cutoff distance will be 90% of value shown.</p>	<p>Standard Models:</p> <ul style="list-style-type: none"> <li>• Ø 0.5 mm spot size at 16 mm focus</li> <li>• Ø 3.0 mm spot size at 30 mm cutoff</li> </ul> <p>Chemical-Resistant Models:</p> <ul style="list-style-type: none"> <li>• Ø 0.5 mm spot size at 14 mm focus</li> <li>• Ø 3.0 mm spot size at 28 mm cutoff</li> </ul> <p>* Using 18% gray test card: cutoff distance will be 90% of value shown. Using 6% black test card: cutoff distance will be 80% of value shown.</p>	<p>Standard Models:</p> <ul style="list-style-type: none"> <li>• Ø 0.5 mm spot size at 16 mm focus</li> <li>• Ø 6.5 mm spot size at 50 mm cutoff</li> </ul> <p>* Using 18% gray test card: cutoff distance will be 80% of value shown. Using 6% black test card: cutoff distance will be 60% of value shown.</p> <p>Chemical-Resistant Models:</p> <ul style="list-style-type: none"> <li>• Ø 0.5 mm spot size at 14 mm focus</li> <li>• Ø 6.5 mm spot size at 48 mm cutoff</li> </ul> <p>* Using 18% gray test card: cutoff distance will be 70% of value shown. Using 6% black test card: cutoff distance will be 50% of value shown.</p>

## Wiring



**Wiring Key:**

- 1 = Brown
- 2 = White
- 3 = Blue
- 4 = Black

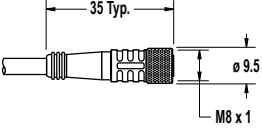
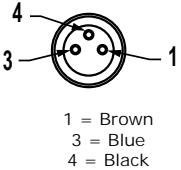
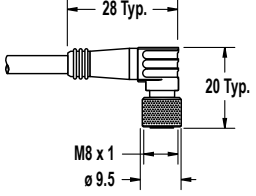
Cabled wiring diagrams are shown. Connections for QD models are functionally identical. (Emitters have no connection to black and white.)

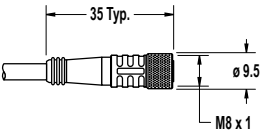
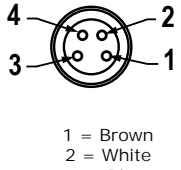
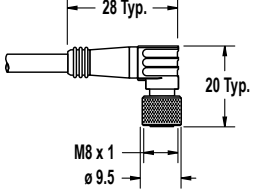


**CAUTION:** Observe proper ESD precautions (grounding) when connecting QD models.

## Accessories

### Cordsets

3-Pin Threaded M8/Pico-Style Cordsets				
Model	Length	Style	Dimensions	Pinout (Female)
PKG3M-2	2 m (6.56 ft)	Straight		 <p>1 = Brown 3 = Blue 4 = Black</p>
PKG3M-5	5 m (16.40 ft)			
PKG3M-7	7 m (22.97 ft)			
PKG3M-9	9 m (29.53 ft)			
PKW3M-2	2 m (6.56 ft)	Right-Angle		
PKW3M-5	5 m (16.40 ft)			
PKW3M-9	9 m (29.53 ft)			

4-Pin Threaded M8/Pico-Style Cordsets				
Model	Length	Style	Dimensions	Pinout (Female)
PKG4M-2	2 m (6.56 ft)	Straight		 <p>1 = Brown 2 = White 3 = Blue 4 = Black</p>
PKG4M-5	5 m (16.4 ft)			
PKG4M-9	9 m (29.5 ft)			
PKW4M-2	2 m (6.56 ft)	Right Angle		
PKW4M-5	5 m (16.4 ft)			
PKW4M-9	9 m (29.5 ft)			

### Apertures

Opposed-mode Q12 sensors (standard models only) may be fitted with apertures to narrow or shape the sensor's effective beam to more closely match the size or profile of the objects being sensed. A common example is the use of "line" (or "slot") type apertures to sense thread.



NOTE: The use of apertures will reduce the sensing range (see table below).

Model	Description	Pieces	Reduced Sensor Range (Two Apertures Used)	
Circular				
APQ12-.5	0.5 mm (0.02 in) diameter	10	60 mm (2.4 in)	
APQ12-1	1 mm (0.04 in) diameter	10	190 mm (7.5 in)	
APQ12-1.5	1.5 mm (0.06 in) diameter	10	400 mm (15.7 in)	
APQ12-2	2 mm (0.08 in) diameter	10	725 mm (28.5 in)	
Horizontal Slot				
APQ12-.5H	0.5 mm (0.02 in)	10	350 mm (13.8 in)	
APQ12-1H	1 mm (0.04 in)	10	725 mm (28.5 in)	
Vertical Slot				
APQ12-.5V	0.5 mm (0.02 in)	10	450 mm (17.7 in)	
APQ12-1V	1 mm (0.04 in)	10	900 mm (35.4 in)	
Protective Jacket				
APQ12-4S	4 mm (0.16 in) square	10	2000 mm (78.7 in)	
APKQ12	Kit containing two of each aperture above	18	—	

## Brackets

### SMBQ12T

- Right-angle bracket
- 20-ga. 300 series stainless steel



Hole center spacing: A to B = 7.6

Hole size: A = 3.5 x 8.1, B=ø 3.2

### SMBQ12A

- Adjustable right-angle bracket
- 20-ga. 300 series stainless steel



Hole center spacing: A to B = 7.6

Hole size: A = 3.5 x 8.1, B=ø 3.2

## Banner Engineering Corp. Limited Warranty

Banner Engineering Corp. warrants its products to be free from defects in material and workmanship for one year following the date of shipment. Banner Engineering Corp. will repair or replace, free of charge, any product of its manufacture which, at the time it is returned to the factory, is found to have been defective during the warranty period. This warranty does not cover damage or liability for misuse, abuse, or the improper application or installation of the Banner product.

THIS LIMITED WARRANTY IS EXCLUSIVE AND IN LIEU OF ALL OTHER WARRANTIES WHETHER EXPRESS OR IMPLIED (INCLUDING, WITHOUT LIMITATION, ANY WARRANTY OF MERCHANTABILITY OR FITNESS FOR A PARTICULAR PURPOSE), AND WHETHER ARISING UNDER COURSE OF PERFORMANCE, COURSE OF DEALING OR TRADE USAGE.

This Warranty is exclusive and limited to repair or, at the discretion of Banner Engineering Corp., replacement. IN NO EVENT SHALL BANNER ENGINEERING CORP. BE LIABLE TO BUYER OR ANY OTHER PERSON OR ENTITY FOR ANY EXTRA COSTS, EXPENSES, LOSSES, LOSS OF PROFITS, OR ANY INCIDENTAL, CONSEQUENTIAL OR SPECIAL DAMAGES RESULTING FROM ANY PRODUCT DEFECT OR FROM THE USE OR INABILITY TO USE THE PRODUCT, WHETHER ARISING IN CONTRACT OR WARRANTY, STATUTE, TORT, STRICT LIABILITY, NEGLIGENCE, OR OTHERWISE.

Banner Engineering Corp. reserves the right to change, modify or improve the design of the product without assuming any obligations or liabilities relating to any product previously manufactured by Banner Engineering Corp. Any misuse, abuse, or improper application or installation of this product or use of the product for personal protection applications when the product is identified as not intended for such purposes will void the product warranty. Any modifications to this product without prior express approval by Banner Engineering Corp will void the product warranties. All specifications published in this document are subject to change: Banner reserves the right to modify product specifications or update documentation at any time. Specifications and product information in English supersede that which is provided in any other language. For the most recent version of any documentation, refer to: [www.bannerengineering.com](http://www.bannerengineering.com).