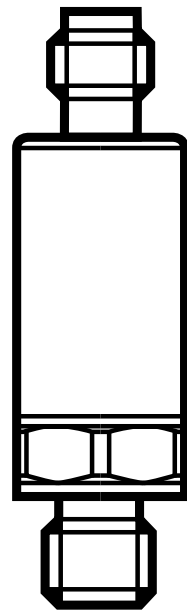


Installation instructions  
Electronic pressure sensor  
for industrial applications

UK

**PV70xx**

80254554 / 01 01 / 2017



# Contents

1 Preliminary note.....	2
2 Safety instructions .....	2
3 Functions and features .....	3
3.1 Applications .....	3
3.2 Use in hydraulic systems.....	4
4 Function.....	4
4.1 Communication, parameter setting, evaluation .....	4
4.2 Switching function.....	4
4.3 IO-Link.....	5
5 Installation.....	6
6 Electrical connection.....	6
7 Parameter setting .....	7
7.1 Parameter setting via PC.....	7
7.2 Parameter setting via the memory plug.....	8
7.3 List of the parameters .....	8
8 Factory setting .....	

## 1 Preliminary note

### Symbols used

▶ Instructions

→ Cross-reference



Important note

Non-compliance may result in malfunction or interference.



Information

Supplementary note.

## 2 Safety instructions

- Please read this document prior to set-up of the unit. Ensure that the product is suitable for your application without any restrictions.
- If the operating instructions or the technical data are not adhered to, personal injury and/or damage to property can occur.

- Improper or non-intended use may lead to malfunctions of the unit or to unwanted effects in your application. That is why installation, electrical connection, set-up, operation and maintenance of the unit must only be carried out by qualified personnel authorised by the machine operator.
- In order to guarantee the correct condition of the device for the operating time it is necessary to use the device only for media to which the wetted materials are sufficiently resistant (→ Technical data).
- The responsibility whether the measurement devices are suitable for the respective application lies with the operator. The manufacturer assumes no liability for consequences of misuse by the operator. Improper installation and use of the devices result in a loss of the warranty claims.

### 3 Functions and features

The device monitors the system pressure of machines and installations.

#### 3.1 Applications

- Type of pressure: relative pressure

Order number	Measuring range		Pressure rating		Bursting pressure	
Pressure sensors with G <sup>1</sup> / <sub>4</sub> external thread						
	bar	psi	bar	psi	bar	psi
PV7000	0...400	0...5802	1000	14500	1700	24655
PV7001	0...250	0...3626	625	9060	1200	17400
PV7002	0...100	0...1450.5	250	3625	1000	14500
PV7023	0...60	0...870	150	2175	900	13050
PV7003	-1...25	-14.6...362.6	65	940	600	8700
PV7004	-1...10	-14.6...145.05	25	360	300	4350

$$\text{MPa} = \text{bar} \div 10 \quad / \quad \text{kPa} = \text{bar} \times 100$$



Avoid static and dynamic overpressure exceeding the indicated pressure rating by taking appropriate measures. The indicated bursting pressure must not be exceeded. Even if the bursting pressure is exceeded only for a short time, the unit may be destroyed. ATTENTION: Risk of injury.



### Pressure Equipment Directive (PED):

The units with a pressure rating of  $\leq 1000$  bar comply with the Pressure Equipment Directive. They are designed for group 2 fluids and manufactured in accordance with sound engineering practice.  
Use of group 1 fluids on request.



The units are vacuum resistant.

## 3.2 Use in hydraulic systems

Restrictor in the process connection:

In hydraulic systems, highly dynamic effects such as pressure peaks, cavitation etc. may arise depending on the operating conditions. To reduce these effects on the measuring element of the sensor, a diaphragm attachment is integrated into the process connection.

The specific thread pitch of the diaphragm attachment has the effect of a hole of 0.3 mm.



Please note:

High viscosity may reduce the response time by some milliseconds. Heavy soiling may affect the functionality.

## 4 Function

- The unit generates output signals according to the operating mode and the parameter setting.
- It also provides the process data, output signals and diagnostic messages via IO-Link.

### 4.1 Communication, parameter setting, evaluation

<b>OUT1 (pin 4)</b>	<ul style="list-style-type: none"> <li>• Switching signal for system pressure limit value</li> <li>• Communication via IO-Link</li> </ul>
<b>OUT2 (pin 2)</b>	<ul style="list-style-type: none"> <li>• Switching signal for system pressure limit value</li> </ul>

## 4.2 Switching function

OUTx changes its switching status if it is above or below the set switching limits (SPx, rPx). The following switching functions can be selected:

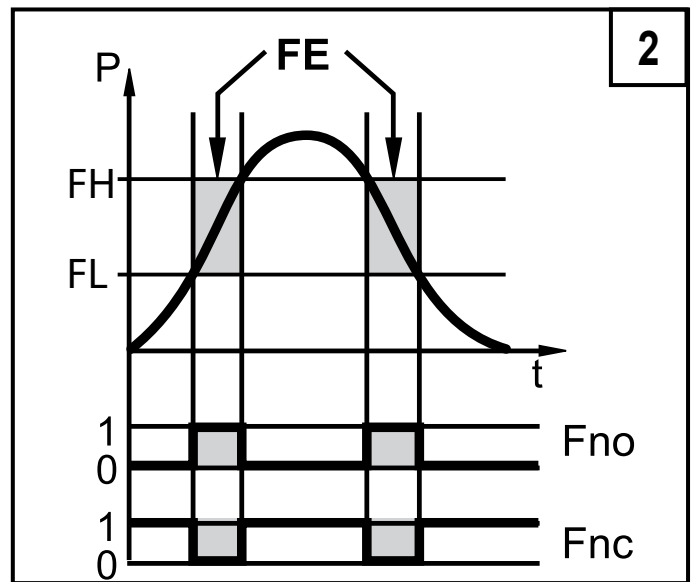
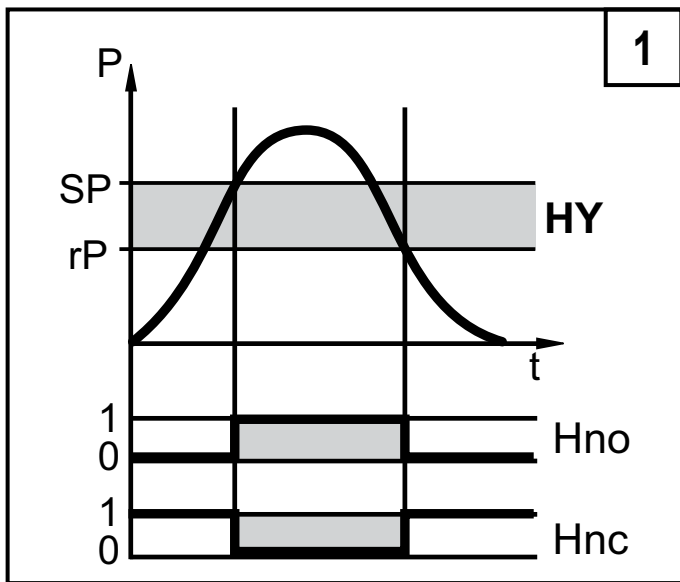
- Hysteresis function / normally open: [ou1] / [ou2] = [Hno] (→ Fig. 1).
- Hysteresis function / normally closed: [ou1] / [ou2] = [Hnc] (→ Fig. 1).

First the set point (SPx) is set, then the reset point (rPx). The hysteresis defined remains even if SPx is changed again.

- Window function / normally open: [ou1] / [ou2] = [Fno] (→ Fig. 2).
- Window function / normally closed: [ou1] / [ou2] = [Fnc] (→ Fig. 2).

The width of the window can be set by means of the difference between FHx and FLx. FHx = upper value, FLx = lower value.

UK



P = system pressure; HY = hysteresis; FE = window



When set to the window function the set and reset points have a fixed hysteresis of 0.25 % of the measuring span.

## 4.3 IO-Link

This unit has an IO-Link communication interface which requires an IO-Link-capable module (IO-Link master) for operation.

The IO-Link interface enables direct access to the process and diagnostic data and provides the possibility to set the parameters of the unit during operation.

In addition communication is possible via a point-to-point connection with a USB adapter cable (→ 7).

The IODDs necessary for the configuration of the unit, detailed information about process data structure, diagnostic information, parameter addresses and the

necessary information about the required IO-Link hardware and software can be found at [www.ifm.com](http://www.ifm.com).

## 5 Installation



Before installing and removing the unit:

Make sure that no pressure is applied to the system.

- ▶ Insert the unit in a G $\frac{1}{4}$  process connection.
- ▶ Tighten firmly. Recommended tightening torque:

Final value of the measuring range in bar	Tightening torque in Nm
up to 400	25...35
Depends on lubrication, seal and pressure load.	

## 6 Electrical connection



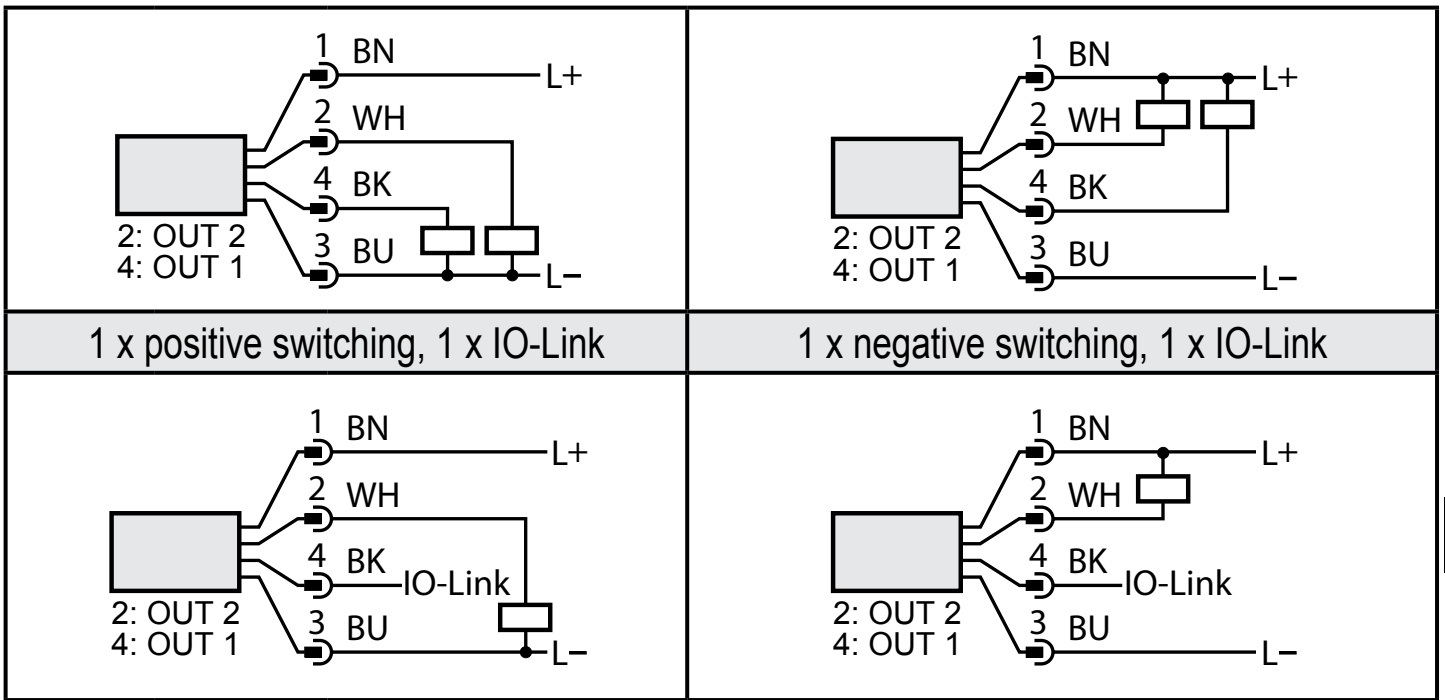
The unit must be connected by a qualified electrician.

The national and international regulations for the installation of electrical equipment must be adhered to.

Voltage supply to EN 50178, SELV, PELV.

- ▶ Disconnect power.
- ▶ Connect the unit as follows:

Core colours			
BK	black		
BN	brown		
BU	blue		
WH	white		
		OUT1: switching output or IO-Link	
		OUT2: switching output	
		Colours to DIN EN 60947-5-2	
Example circuits			
2 x positive switching		2 x negative switching	



UK

## 7 Parameter setting



The unit can only be configured via IO-Link function.

- ▶ Prepare IO-Link hardware and software for parameter setting.
- ▶ Connect unit with e.g. IO-Link interface (→ 7.1) or programmed memory plug (→ 7.2).
- ▶ Set the parameters.
- ▶ Put the unit into operation.

The parameters can be set prior to installation and setup of the unit or while in operation.



Changing parameters during operation can influence the function of the plant.

- ▶ Ensure that there will be no malfunctions in the plant.

## 7.1 Parameter setting via PC

For parameter setting an IO-Link software is necessary (e.g. LINERECORDER SENSOR).

IO-Link interfaces from ifm are available for the connection of the unit via the USB interface of a computer → [www.ifm.com](http://www.ifm.com).

- ▶ Prepare computer, software and interface.
- ▶ Connect unit with IO-Link interface.
- ▶ Follow the menu of the IO-Link software.
- ▶ Set the parameters.
- ▶ Put the unit into operation.

Adjustable parameters (→ 7.3).

## 7.2 Parameter setting via the memory plug

A parameter set can be written / transferred to the unit via a memory plug (storage module) → [www.ifm.com](http://www.ifm.com).

- ▶ Load suitable parameter set (e.g. using a PC) to the memory plug
- ▶ Connect memory plug between sensor and socket
- > When voltage is supplied, the parameter set is transferred from the memory plug to the sensor.
- ▶ Remove memory plug.
- ▶ Put the unit into operation.

Adjustable parameters (→ 7.3).



The memory plug can also be used to save the current parameter setting of a unit and to transfer it to other units of the same type.

You can find more information about the memory plug in the technical documentation → [www.ifm.com](http://www.ifm.com).



## 7.3 List of the parameters

Parameter	Function
SPx/rPx	Upper / lower limit for system pressure at which OUT1 switches with hysteresis setting. Prerequisite: Setting OUTx is [Hno] or [Hnc].
FHx/FLx	Upper / lower limit for system pressure at which OUTx switches with window setting. Prerequisite: OUTx setting is [Fno] or [Fnc].
ou1	Output function for OUT1: Switching signal for the pressure limit values: hysteresis function [H ..] or window function [F ..], either normally open [. no] or normally closed [. nc].
ou2	Output function for OUT2: Switching signal for the pressure limit values: hysteresis function [H . .] or window function [F . .] as normally open (. no) or normally closed (. nc) each.
dS1 / dS2	Switching delay for OUT1 / OUT2.
dr1 / dr2	Switch-off delay for OUT1 / OUT2.
uni	Standard unit of measurement for system pressure: [bAr] / [MPA], [PSI].
P-n	Output logic: PNP / NPN.
Lo	Minimum value memory for system pressure.
Hi	Maximum value memory for system pressure.
dAP	Damping of the switch point.
coF	Zero-point calibration
HIPS	Setting of the threshold for the overload counter
HIPC	Number of overload processes

For more information see the IODD description (→ [www.ifm.com](http://www.ifm.com)) or the context-specific parameter descriptions of the used IO-Link software.

UK

## 8 Factory setting

	Factory setting	User setting
SP1	25% VMR*	
rP1	23% VMR*	
ou1	Hno	
ou2	Hno	
SP2	75% VMR*	
rP2	73% VMR*	
dS1	0.0	
dr1	0.0	
dS2	0.0	
dr2	0.0	
P-n	PnP	
dAP	0.06	
uni	bAr	
coF	0	
HIPS	VMR	
HIPC	0	

\* = The indicated percentage of the final value of the measuring range (VMR) of the corresponding sensor is set in bar.

More information at [www.ifm.com](http://www.ifm.com)