

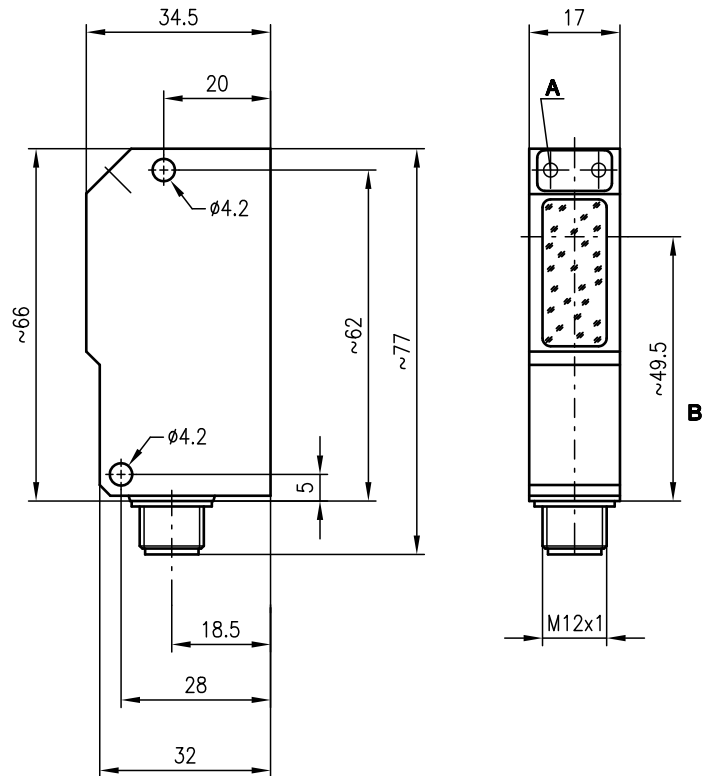
**PRK 95**

**Retro-reflective photoelectric sensors with polarisation filter**

Part No. 501 11241

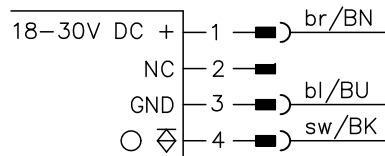


**Dimensioned drawing**



- A** Switching indicator yellow
- B** Optical axis

**Electrical connection**



**0 ... 5m**



- Polarised retro-reflective photoelectric sensor using visible red light
- The autocollimation principle used ensures that the device functions reliably over the entire range (0 ... max.)
- Polarisation filter blocks unwanted reflections
- Small construction with glass cover and robust zinc diecast housing, protection class IP 67/IP 69K for industrial application
- Mounting holes and M12 connector for fast installation



**Accessories:**

(available separately)

- Mounting systems (BT 95, UMS 1)
- M12 connectors (KD ...)
- Reflectors
- Reflective tapes

We reserve the right to make changes • 95\_b01.gb.fm

## Specifications

### Optical data

Typ. operating range limit (TK(S) 100x100) <sup>1)</sup>	0 ... 5m
Operating range <sup>2)</sup>	see tables
Light beam characteristic	divergent
Light source	LED (modulated light)
Wavelength	660nm (visible red light, polarised)

### Timing

Switching frequency	200Hz
Response time	2.5ms
Delay before start-up	≤ 100ms

### Electrical data

Operating voltage $U_B$	18 ... 30VDC (incl. residual ripple)
Residual ripple	≤ 15% of $U_B$
Bias current	≤ 30mA
Switching output	1 PNP transistor output
Function characteristics	light switching
Signal voltage high/low	≥ ( $U_B - 2V$ ) / ≤ 2V
Output current	max. 100mA

### Indicators

LED yellow	light path free
------------	-----------------

### Mechanical data

Housing	diecast zinc
Optics cover	glass
Weight	90g
Connection type	M12 connector, stainless steel, 4-pin

### Environmental data

Ambient temp. (operation/storage)	-20°C ... 60°C / -30°C ... +70°C
Protective circuit <sup>3)</sup>	2, 3
VDE safety class <sup>4)</sup>	II, all-insulated
Protection class	IP 67, IP 69K <sup>5)</sup>
LED class	1 (acc. to EN 60825-1)
Standards applied	IEC 60947-5-2

- 1) Typ. operating range limit: max. attainable range without performance reserve
- 2) Operating range: recommended range with performance reserve
- 3) 2=polarity reversal protection, 3=short-circuit protection for all outputs
- 4) Rating voltage 250VAC
- 5) IP 69K test acc. to DIN 40050 part 9 simulated, high pressure cleaning conditions without the use of additives, acids and bases are not part of the test

## Tables

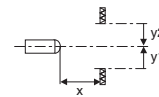
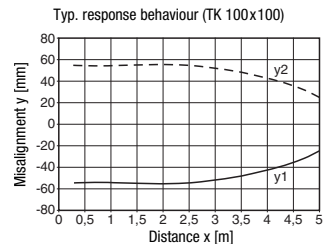
Reflectors			Operating range	
1	TK(S)	100x100	0 ... 3.4m	
2	MTK(S)	50x50	0 ... 2.7m	
3	TK(S)	30x50	0 ... 1.5m	
4	TK(S)	20x40	0 ... 1.4m	
5	Tape 2	100x100	0 ... 0.8m	

1	0		3.4	5
2	0		2.7	4.5
3	0	1.5	2.5	
4	0	1.4	2.4	
5	0	0.8	1.2	

- Operating range [m]
- Typ. operating range limit [m]

- TK ... = adhesive
- TKS ... = screw type
- Tape 2 = adhesive

## Diagrams



## Order guide

Designation	Part No.
PRK 95/4 L.2	500 27993

## Remarks

- **Approved purpose:**  
The retro-reflective photo-electric sensors are optical electronic sensors for optical, contactless detection of objects.