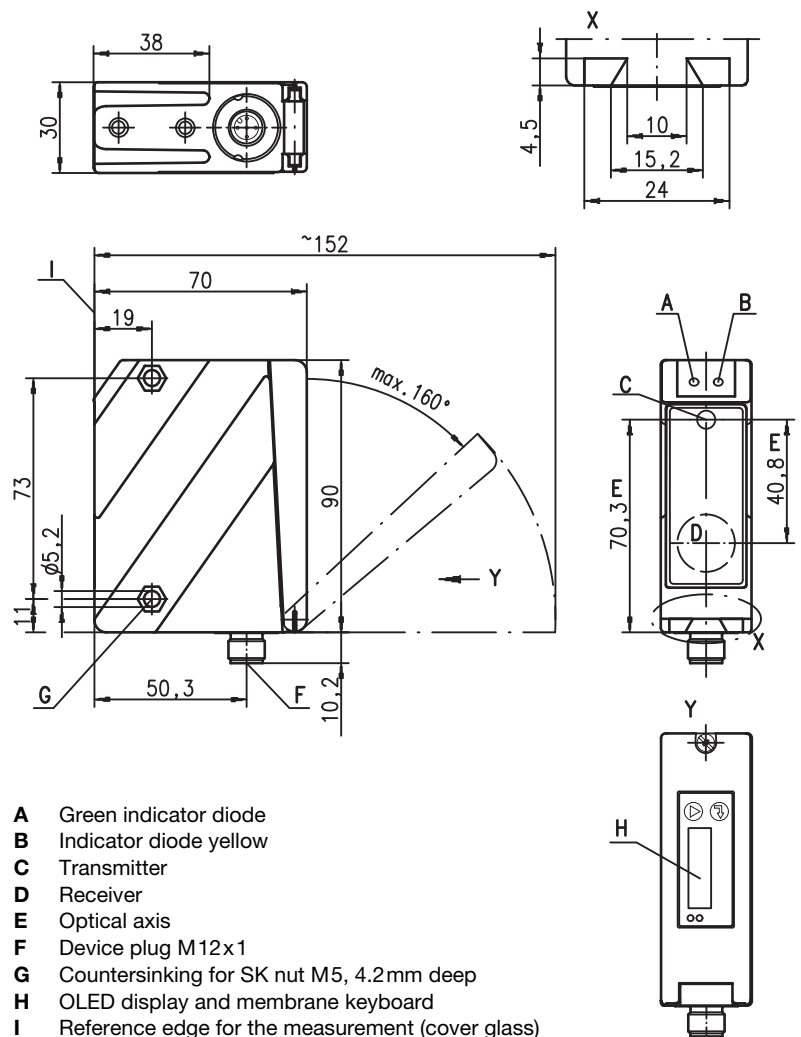


**ODSLR 96B**

**Optical laser distance sensors**

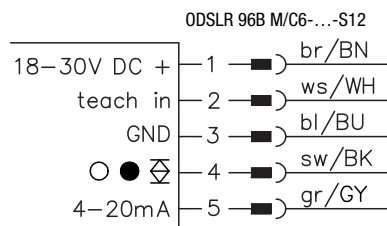
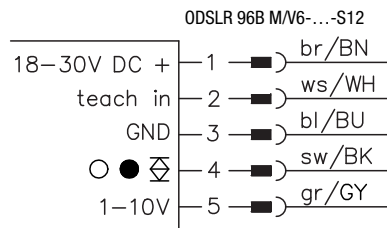


**Dimensioned drawing**



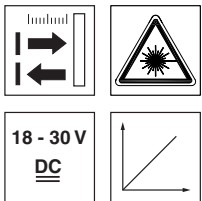
- A Green indicator diode
- B Indicator diode yellow
- C Transmitter
- D Receiver
- E Optical axis
- F Device plug M12x1
- G Countersinking for SK nut M5, 4.2mm deep
- H OLED display and membrane keyboard
- I Reference edge for the measurement (cover glass)

**Electrical connection**



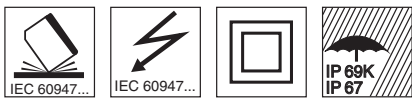
en 05-2012/11 50110336

We reserve the right to make changes • DS\_ODSLR96BMCV62000\_en\_50110336.fm



**60 ... 2000mm**

- Reflection-independent distance information
- Highly insensitive to extraneous light
- Analog current or voltage output
- PC/OLED display and membrane keyboard for configuration
- Measurement value is indicated in mm on OLED display
- Measurement range and mode adjustable
- Teachable switching output and analog output



**Accessories:**

(available separately)

- Mounting systems
- Cable with M12 connector (K-D ...)
- Configuration software

## Specifications

### Optical data

Measurement range <sup>1)</sup>	60 ... 2000mm
Resolution <sup>2)</sup>	1 ... 5mm
Light source	red light laser/LED
Wavelength	laser 655 nm/LED 635nm (visible red light)
Light spot	divergent, 2x6mm <sup>2</sup> at 2m LED approx. 15x15mm <sup>2</sup> at 200mm
Laser warning notice	see Remarks

### Error limits (relative to measurement distance)

Absolute measurement accuracy <sup>1)</sup>	± 2% 60 ... 200mm / ± 1.5% 200 ... 2000mm
Repeatability <sup>3)</sup>	± 0,5%
B/W detection thresh. (6 ... 90% rem.)	≤ 1%
Temperature compensation	yes <sup>4)</sup>

### Timing

Measurement time	1 ... 5 <sup>1)</sup> ms
Response time <sup>1)</sup>	≤ 15ms
Delay before start-up	≤ 300ms

### Electrical data

Operating voltage U <sub>B</sub>	18 ... 30VDC (incl. residual ripple)
Residual ripple	≤ 15% of U <sub>B</sub>
Open-circuit current	≤ 150mA
Switching output	push-pull switching output <sup>5)</sup> , PNP light switching, NPN dark switching
Signal voltage high/low	≥ (U <sub>B</sub> -2 V)/≤ 2V
Analogue output	voltage 1 ... 10V, R <sub>L</sub> ≥ 2kΩ current 4 ... 20mA, R <sub>L</sub> ≤ 500Ω

### Indicators

Green LED	continuous light	<b>Teach-in on GND</b>	<b>Teach-in on +U<sub>B</sub></b>
	flashing		
	off	ready	
Yellow LED	continuous light	fault	teach event
	flashing	no voltage	
	off	object inside teach-in measurement distance	teach event
		object outside teach-in measurement distance	

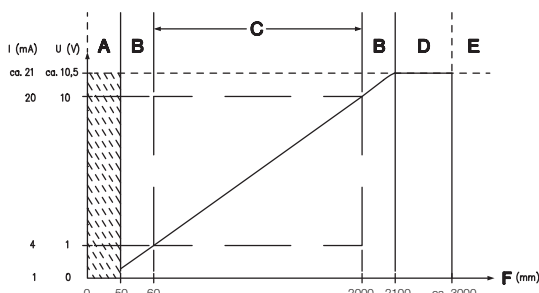
### Mechanical data

Housing	diecast zinc
Optics cover	glass
Weight	380g
Connection type	M12 connector

### Environmental data

Ambient temp. (operation/storage)	-20°C ... +50°C / -30°C ... +70°C
Protective circuit <sup>6)</sup>	1, 2, 3
VDE safety class <sup>7)</sup>	II, all-insulated
Protection class	IP 67, IP 69K <sup>8)</sup>
Laser class	2 (acc. to EN 60825-1)
Standards applied	IEC 60947-5-2

- 1) Luminosity coefficient 6% ... 90%, complete measurement range, at 20°C, medium range of U<sub>B</sub>, measurement object ≥ 50x50mm<sup>2</sup>
- 2) Minimum and maximum value depend on measurement distance
- 3) Same object, identical environmental conditions, measurement object ≥ 50x50mm<sup>2</sup>
- 4) Typ. ± 0.02 %/K
- 5) The push-pull switching outputs must not be connected in parallel
- 6) 1=transient protection, 2=polarity reversal protection, 3=short circuit protection for all outputs
- 7) Rating voltage 250VAC, with cover closed
- 8) IP 69K test in accordance with DIN 40050 part 9 simulated, high pressure cleaning conditions without the use of additives. Acids and bases are not part of the test



- A Area not defined
- B Linearity not defined
- C Measurement range
- D Object present
- E No object detected
- F Measurement distance

## Order guide

	Designation	Part no.
<b>With M12 connector</b>		
Current output	ODSLR 96B M/C6-2000-S12	501 06732
Voltage output	ODSLR 96B M/V6-2000-S12	501 06733

ODSLR 96B M/C6-2000-S12 - 05  
ODSLR 96B M/V6-2000-S12 - 05

## Tables

## Diagrams

## Remarks

- Measurement time depends on the reflectivity of the measurement object and on the measurement mode.
- **Approved purpose:** The ODSLRL 96B distance sensors are optoelectronic sensors for the optical, contactless measurement of distance to objects.

LASERSTRAHLUNG NICHT IN DEN STRAHL BLICKEN	
Max. Leistung:	1,2mW
Impulsdauer:	22ms
Wellenlänge:	655nm
LASER KLASSE 2 DIN EN60825-1:2003-10	

LASER LIGHT DO NOT STARE INTO BEAM	
Maximum Output:	1.2mW
Pulse duration:	22ms
Wavelength:	655nm
CLASS 2 LASER PRODUCT IEC 60825-1:1993+A2:2001 Complies with 21 CFR 1040.10	