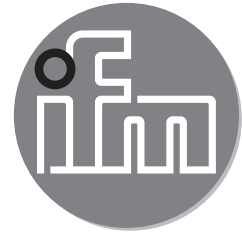


ifm electronic



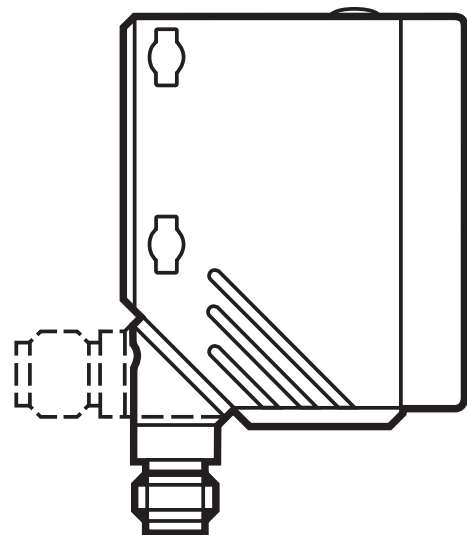
Installation instructions
Diffuse-reflection sensor with
background suppression

efector200[®]

O5H

UK

701931 / 01 02 / 2012

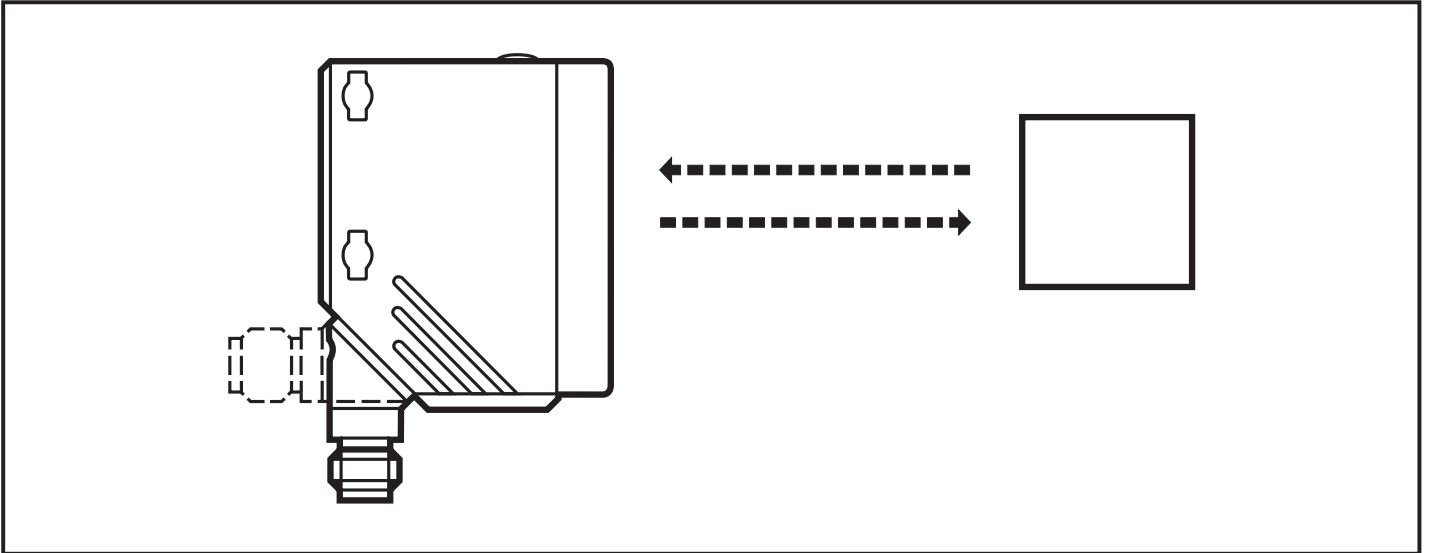


Functions and features

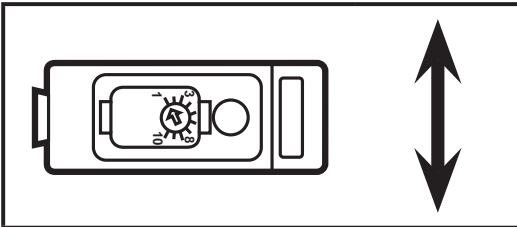
The diffuse-reflection sensor detects objects and materials without contact and indicates their presence by a switched signal.

Range: see type label.

Installation



- ▶ Align the photocell and fasten to a mounting device.



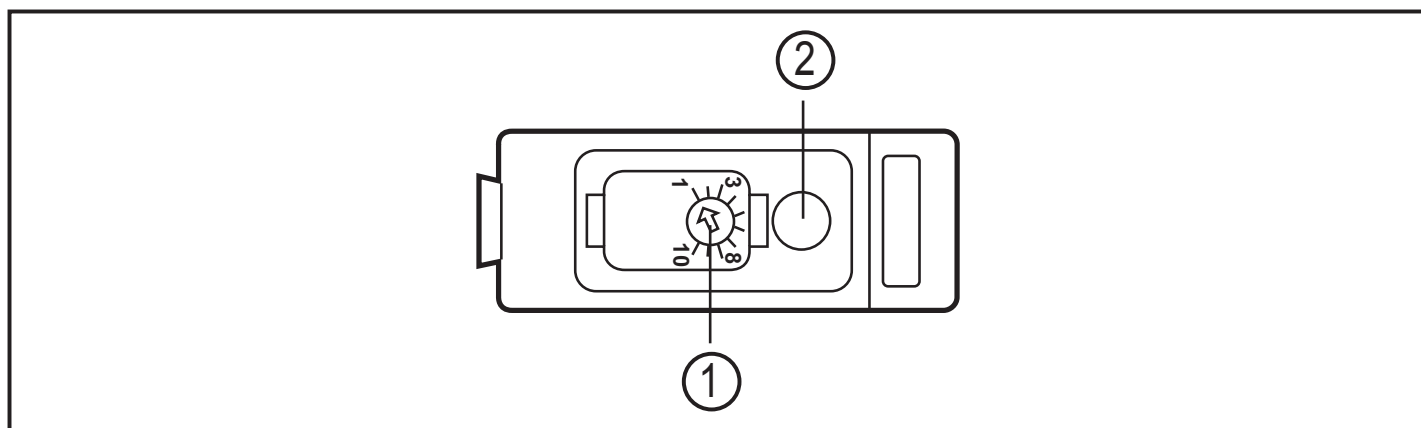
The objects to be detected are to move transversally to the lens of the unit. In case of other directions of movement it should be tested before whether safe functioning is guaranteed.

Electrical connection



- ▶ Disconnect power before connecting the sensor.
- ▶ Connection strictly to the indications on the type label.

Setting of the sensitivity



1: Einstellpotentiometer Tastweite

2: LED

UK

Proceed as follows

- ▶ Set the potentiometer to the smallest sensing range (1).
- ▶ Place the object to be detected within the sensing range.
- ▶ Increase the sensing range until the LED lights (= minimum value; object detected).
- ▶ Remove the object from the sensing range (LED goes off).
- ▶ Increase the sensing range until the LED lights (= maximum value; background detected).
- ▶ Set the potentiometer to the medium position between minimum and maximum value.

Operation

- ▶ Check the safe functioning of the sensor.
 - Dark-on switching units: the output is switched / the yellow LED is lit when no object is detected.
 - Light-on switching units: the output is switched / the yellow LED is lit when an object is detected.

Maintenance

- ▶ Keep the lens of the sensor free from soiling.
- ▶ For cleaning do not use any solvents or cleaning agents which could damage the plastic lenses.