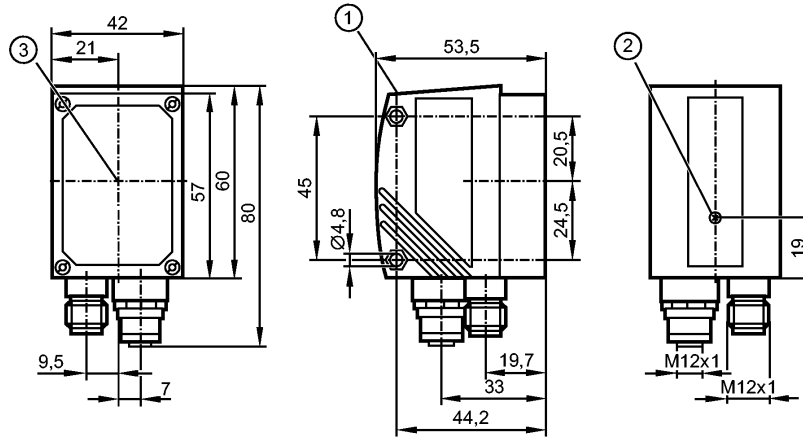


O2I350

O2IROS-G/D/RS232/E1/E2

Identification systems

Please note the wiring of the sensor and the sockets (see data sheet) as for 8-pole sockets the core colours are not standardised.



- 1: display
- 2: Focus adjustment screw
- 3: Centre of the lens axes



Product characteristics

Multicode Reader	
Text recognition	
Max. field of view size: 64 x 48 mm	
integrated, configurable code evaluation	
Process interfaces Ethernet TCP/IP, EtherNet/IP, RS-232	
Parameter setting interfaces Ethernet TCP/IP; UDP/IP	
Integrated lighting: red light (625 nm)	

Application

Readable codes	Interleaved 2-of-5, Industrial 2-of-5, Code 39, Code 93, Code 128, Pharmacode, Codabar EAN8, EAN8 Add-On 2, EAN8 Add-On 5 EAN13, EAN13 Add-On 2, EAN13 Add-On 5 UPC-A, UPC-A Add-On 2, UPC-A Add-On 5 UPC-E, UPC-E Add-On 2, UPC-E Add-On 5 GS1 DataBar Omnidirectional, GS1 DataBar Truncated, GS1 DataBar Stacked, GS1 DataBar Stacked Omnidirectional, GS1 DataBar Limited, GS1 DataBar Expanded, GS1 DataBar Expanded Stacked, GS1 - 128 MSI bar code ECC200, PDF-417, QR Micro QR Aztec code GS1 ECC200, GS1 QR code, GS1 Aztec code
Legible fonts	Industrial, Document

Electrical data

Operating voltage	[V]	24 DC ± 10 %
Current consumption	[mA]	< 300
Protection class		III
Reverse polarity protection		ja *)
Connection external illumination	[V]	24 DC PNP
Type of sensor		CMOS image sensor B/W, VGA resolution 640 x 480

Inputs

O2I350

O2IROS-G/D/RS232/E1/E2

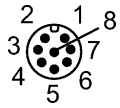
Identification systems

Trigger	internal external; 24 V PNP to IEC 61131-2 type 1 via RS-232, TCP/IP or EtherNet/IP		
Outputs			
Output	max. 2 (configurable) / 24 V PNP		
Max. current load per output [mA]	100		
Voltage drop [V]	< 2		
Short-circuit protection	yes		
Overload protection	yes		
Range			
Operating distance [mm]	50	100	200
Field of view size [mm]	16 x 12	32 x 24	64 x 48
Omnidirectional reading	yes		
inclination to the image plane	≤ 45°		
readings [Hz]	≤ 20		
Motion speed [m/s]	≤ 7		
Software / programming			
Parameter setting options	via 2 pushbuttons and 10-segment display or via PC / notebook with operating software		
Interfaces			
parameter setting interface	Ethernet TCP/UDP/IP; 10Base-T / 100Base-TX		
Process interface	Ethernet TCP/IP, EtherNet/IP, RS-232		
IP address	192.168.0.79		
subnet mask	255.255.255.0 (Class C)		
gateway IP address	192.168.0.201		
MAC address	see type label		
Environment			
Ambient temperature [°C]	-10...50		
Storage temperature [°C]	-40...85		
Protection	IP 67		
Tests / approvals			
EMC	radiation of interference noise immunity	to EN 61326 to EN 61326	
UL approval number	T001		
Shock resistance	IEC 60028-2-27:		
Vibration resistance	IEC 60028-2-6:		
Mechanical data			
Housing materials	housing: diecast zinc powder-coated; window: glass; LED window: polycarbonate		
Weight [kg]	0.385		
Displays / operating elements			
Display	Function display	3 x LED green 4 x LED yellow	
	Display unit / status	4-digit 10-segment display	
Electrical connection			
Connection	M12 plug, 8 poles M12 socket, 4 poles		
Wiring			

O2I350

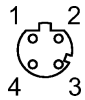
O2IROS-G/D/RS232/E1/E2

Identification systems



RS-232: Process connection

- 1: U+
- 2: trigger input
- 3: 0 V
- 4: Switching output 1 (code evaluation) / Trigger output (with external illumination)
- 5: RxD RS-232
- 6: TxD RS-232
- 7: Switching output 2 (ready signal)
- 8: GND RS-232 (electrically separated up to 50 V)



Ethernet: parameter setting/process connection

- 1: TxD+
- 2: RxD+
- 3: TxD-
- 4: RxD-

Other technical data

Integrated lighting	red light (625 nm) segmented in 4 areas (can be activated individually via the PC operating program)
Laser marking	red, laser protection class 2 to DIN EN 60825-1

Accessories

Accessories (optional)	Operating software; Mounting accessories
------------------------	---

Remarks

Remarks	cULus - Class 2 source required *) The voltage on pins 2, 4, 5, 6, 7 and 8 must not exceed the supply voltage on pin 1 (U+) (see operating instructions).
Pack quantity [piece]	1

ifm electronic gmbh • Friedrichstraße 1 • 45128 Essen — We reserve the right to make technical alterations without prior notice. — GB — O2I350 — 01.04.2015

Please note the wiring of the sensor and the sockets (see data sheet) as for 8-pole sockets the core colours are not standardised.