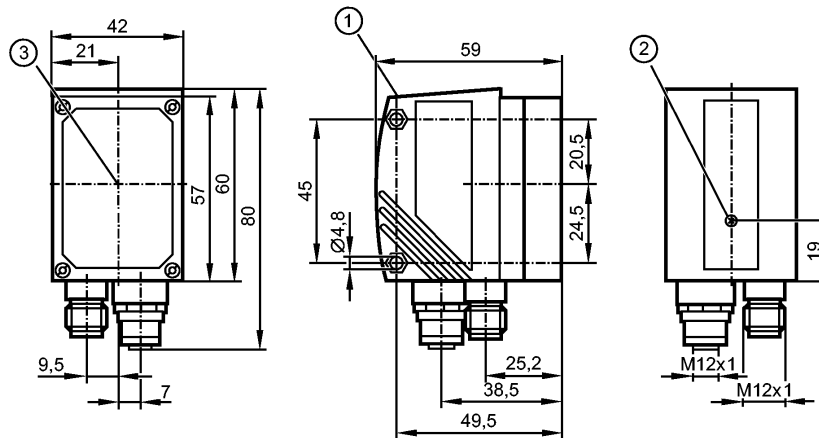


O2I305

O2IIOS-G/D/RS232/E1/E2

Identification systems

Please note the wiring of the sensor and the sockets (see data sheet) as for 8-pole sockets the core colours are not standardised.



- 1: display
- 2: Focus adjustment screw
- 3: Centre of the lens axes



Product characteristics

Multicode Reader	
Max. field of view size: 400 x 300 mm	
integrated, configurable code evaluation	
Process interfaces Ethernet TCP/IP, EtherNet/IP, RS-232	
Parameter setting interfaces Ethernet TCP/IP; UDP/IP	
Integrated lighting: infrared (850 nm)	

Application

Readable codes	Interleaved 2-of-5, Industrial 2-of-5, Code 39, Code 93, Code 128, Pharmacode, Codabar EAN8, EAN8 Add-On 2, EAN8 Add-On 5 EAN13, EAN13 Add-On 2, EAN13 Add-On 5 UPC-A, UPC-A Add-On 2, UPC-A Add-On 5 UPC-E, UPC-E Add-On 2, UPC-E Add-On 5 GS1 DataBar Omnidirectional, GS1 DataBar Truncated, GS1 DataBar Stacked, GS1 DataBar Stacked Omnidirectional, GS1 DataBar Limited, GS1 DataBar Expanded, GS1 DataBar Expanded Stacked, GS1 - 128 MSI bar code ECC200, PDF-417, QR Micro QR Aztec code GS1 ECC200, GS1 QR code, GS1 Aztec code
----------------	---

Electrical data

Operating voltage	[V]	24 DC ± 10 %
Current consumption	[mA]	< 300
Protection class		III
Reverse polarity protection		ja *)
Connection external illumination	[V]	24 DC PNP
Type of sensor		CMOS image sensor B/W, VGA resolution 640 x 480

Inputs

O2I305

O2IIOS-G/D/RS232/E1/E2

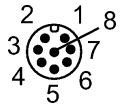
Identification systems

Trigger	internal external; 24 V PNP to IEC 61131-2 type 1 via RS-232, TCP/IP or EtherNet/IP						
Outputs							
Output	max. 2 (configurable) / 24 V PNP						
Max. current load per output [mA]	100						
Voltage drop [V]	< 2						
Short-circuit protection	yes						
Overload protection	yes						
Range							
Operating distance [mm]	75	100	200	400	1000	2000	
Field of view size [mm]	15 x 11	20 x 15	40 x 30	80 x 60	200 x 150	400 x 300	
Omnidirectional reading	yes						
inclination to the image plane	≤ 45°						
readings [Hz]	≤ 20						
Motion speed [m/s]	≤ 7						
Software / programming							
Parameter setting options	via 2 pushbuttons and 10-segment display or via PC / notebook with operating software						
Interfaces							
parameter setting interface	Ethernet TCP/UDP/IP; 10Base-T / 100Base-TX						
Process interface	Ethernet TCP/IP, EtherNet/IP, RS-232						
IP address	192.168.0.79						
subnet mask	255.255.255.0 (Class C)						
gateway IP address	192.168.0.201						
MAC address	see type label						
Environment							
Ambient temperature [°C]	-10...50						
Storage temperature [°C]	-40...85						
Protection	IP 67						
Tests / approvals							
EMC	radiation of interference		to EN 61326				
	noise immunity		to EN 61326				
UL approval number	T001						
Shock resistance	IEC 60028-2-27:						
Vibration resistance	IEC 60028-2-6:						
Mechanical data							
Housing materials	housing: diecast zinc powder-coated; window: glass; LED window: polycarbonate						
Weight [kg]	0.405						
Displays / operating elements							
Display	Function display 3 x LED green 4 x LED yellow Display unit / status 4-digit 10-segment display						
Electrical connection							
Connection	M12 plug, 8 poles M12 socket, 4 poles						
Wiring							

O2I305

O2IIOS-G/D/RS232/E1/E2

Identification systems



RS-232: Process connection

- 1: U+
- 2: trigger input
- 3: 0 V
- 4: Switching output 1 (code evaluation) / Trigger output (with external illumination)
- 5: RxD RS-232
- 6: TxD RS-232
- 7: Switching output 2 (ready signal)
- 8: GND RS-232 (electrically separated up to 50 V)



Ethernet: parameter setting/process connection

- 1: TxD+
- 2: RxD+
- 3: TxD-
- 4: RxD-

Other technical data

Integrated lighting	infrared (850 nm) segmented in 4 areas (can be activated individually via the PC operating program)
Laser marking	red, laser protection class 2 to DIN EN 60825-1

Accessories

Accessories (optional)	Operating software; Mounting accessories
------------------------	---

Remarks

Remarks	cULus - Class 2 source required *) The voltage on pins 2, 4, 5, 6, 7 and 8 must not exceed the supply voltage on pin 1 (U+) (see operating instructions).
Pack quantity [piece]	1

ifm electronic gmbh • Friedrichstraße 1 • 45128 Essen — We reserve the right to make technical alterations without prior notice. — GB — O2I305 — 13.08.2014

Please note the wiring of the sensor and the sockets (see data sheet) as for 8-pole sockets the core colours are not standardised.