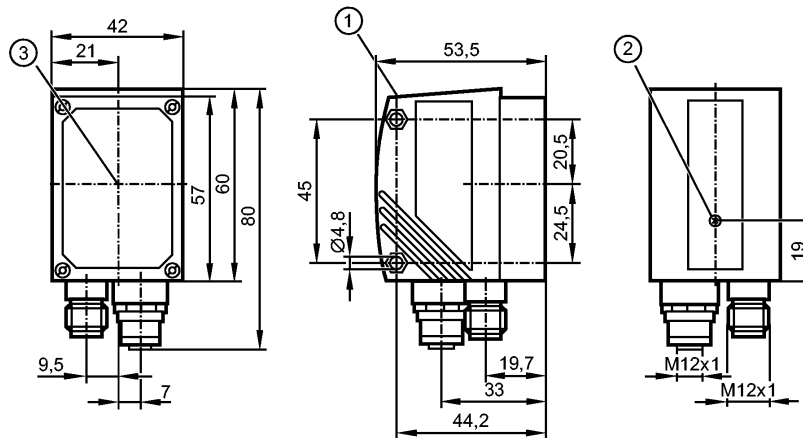


**O2I300**

O2IROS-G/D/RS232/E1/E2

Identification systems

**Please note the wiring of the sensor and the sockets (see data sheet) as for 8-pole sockets the core colours are not standardised.**



- 1: display
- 2: Focus adjustment screw
- 3: Centre of the lens axes



**Product characteristics**

|   |  |
|---|--|
| Multicode Reader  |  |
| Max. field of view size: 64 x 48 mm                     |  |
| integrated, configurable code evaluation                |  |
| Process interfaces Ethernet TCP/IP, EtherNet/IP, RS-232 |  |
| Parameter setting interfaces Ethernet TCP/IP; UDP/IP    |  |
| Integrated lighting: red light (625 nm)                 |  |

**Application**

|                |   |
|----------------|---|
| Readable codes | Interleaved 2-of-5, Industrial 2-of-5, Code 39, Code 93, Code 128, Pharmacode, Codabar<br>EAN8, EAN8 Add-On 2, EAN8 Add-On 5<br>EAN13, EAN13 Add-On 2, EAN13 Add-On 5<br>UPC-A, UPC-A Add-On 2, UPC-A Add-On 5<br>UPC-E, UPC-E Add-On 2, UPC-E Add-On 5<br>GS1 DataBar Omnidirectional, GS1 DataBar Truncated, GS1 DataBar Stacked, GS1 DataBar Stacked Omnidirectional, GS1 DataBar Limited, GS1 DataBar Expanded, GS1 DataBar Expanded Stacked, GS1 - 128<br>MSI bar code<br>ECC200, PDF-417, QR<br>Micro QR<br>Aztec code<br>GS1 ECC200, GS1 QR code, GS1 Aztec code |
|----------------|---|

**Electrical data**

|                                  |      |   |
|----------------------------------|------|---|
| Operating voltage                | [V]  | 24 DC ± 10 %                                    |
| Current consumption              | [mA] | < 300   |
| Protection class                 |      | III   |
| Reverse polarity protection      |      | ja *)   |
| Connection external illumination | [V]  | 24 DC PNP                                       |
| Type of sensor                   |      | CMOS image sensor B/W, VGA resolution 640 x 480 |

**Inputs**

## O2I300

O2IROS-G/D/RS232/E1/E2

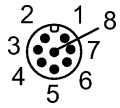
Identification systems

|                                      |   |                                 |         |
|--------------------------------------|---|---------------------------------|---------|
| Trigger                              | internal<br>external; 24 V PNP to IEC 61131-2 type 1<br>via RS-232, TCP/IP or EtherNet/IP |                                 |         |
| <b>Outputs</b>                       |   |                                 |         |
| Output                               | max. 2 (configurable) / 24 V PNP  |                                 |         |
| Max. current load per output [mA]    | 100   |                                 |         |
| Voltage drop [V]                     | < 2   |                                 |         |
| Short-circuit protection             | yes   |                                 |         |
| Overload protection                  | yes   |                                 |         |
| <b>Range</b>                         |   |                                 |         |
| Operating distance [mm]              | 50  | 100                             | 200     |
| Field of view size [mm]              | 16 x 12   | 32 x 24                         | 64 x 48 |
| Omnidirectional reading              | yes   |                                 |         |
| inclination to the image plane       | ≤ 45°   |                                 |         |
| readings [Hz]                        | ≤ 20  |                                 |         |
| Motion speed [m/s]                   | ≤ 7   |                                 |         |
| <b>Software / programming</b>        |   |                                 |         |
| Parameter setting options            | via 2 pushbuttons and 10-segment display or via PC / notebook with operating software     |                                 |         |
| <b>Interfaces</b>                    |   |                                 |         |
| parameter setting interface          | Ethernet TCP/UDP/IP; 10Base-T / 100Base-TX  |                                 |         |
| Process interface                    | Ethernet TCP/IP, EtherNet/IP, RS-232  |                                 |         |
| IP address                           | 192.168.0.79  |                                 |         |
| subnet mask                          | 255.255.255.0 (Class C)   |                                 |         |
| gateway IP address                   | 192.168.0.201   |                                 |         |
| MAC address                          | see type label  |                                 |         |
| <b>Environment</b>                   |   |                                 |         |
| Ambient temperature [°C]             | -10...50  |                                 |         |
| Storage temperature [°C]             | -40...85  |                                 |         |
| Protection                           | IP 67   |                                 |         |
| <b>Tests / approvals</b>             |   |                                 |         |
| EMC                                  | radiation of interference   | to EN 61326                     |         |
|                                      | noise immunity  | to EN 61326                     |         |
| UL approval number                   | T001  |                                 |         |
| Shock resistance                     | IEC 60028-2-27:   |                                 |         |
| Vibration resistance                 | IEC 60028-2-6:  |                                 |         |
| <b>Mechanical data</b>               |   |                                 |         |
| Housing materials                    | housing: diecast zinc powder-coated; window: glass; LED window: polycarbonate             |                                 |         |
| Weight [kg]                          | 0.351   |                                 |         |
| <b>Displays / operating elements</b> |   |                                 |         |
| Display                              | Function display  | 3 x LED green<br>4 x LED yellow |         |
|                                      | Display unit / status   | 4-digit 10-segment display      |         |
| <b>Electrical connection</b>         |   |                                 |         |
| Connection                           | M12 plug, 8 poles<br>M12 socket, 4 poles  |                                 |         |
| <b>Wiring</b>                        |   |                                 |         |

## O2I300

O2IROS-G/D/RS232/E1/E2

Identification systems



RS-232: Process connection

- 1: U+
- 2: trigger input
- 3: 0 V
- 4: Switching output 1 (code evaluation) / Trigger output (with external illumination)
- 5: RxD RS-232
- 6: TxD RS-232
- 7: Switching output 2 (ready signal)
- 8: GND RS-232 (electrically separated up to 50 V)



Ethernet: parameter setting/process connection

- 1: TxD+
- 2: RxD+
- 3: TxD-
- 4: RxD-

### Other technical data

|                     |  |
|---------------------|--|
| Integrated lighting | red light (625 nm)<br>segmented in 4 areas<br>(can be activated individually via the PC operating program) |
| Laser marking       | red, laser protection class 2 to DIN EN 60825-1  |

### Accessories

|                        |   |
|------------------------|---|
| Accessories (optional) | Operating software;<br>Mounting accessories |
|------------------------|---|

### Remarks

|                       |  |
|-----------------------|--|
| Remarks               | cULus - Class 2 source required<br>*) The voltage on pins 2, 4, 5, 6, 7 and 8 must not exceed the supply voltage on pin 1 (U+) (see operating instructions). |
| Pack quantity [piece] | 1  |

ifm electronic gmbh • Friedrichstraße 1 • 45128 Essen — We reserve the right to make technical alterations without prior notice. — GB — O2I300 — 13.08.2014

**Please note the wiring of the sensor and the sockets (see data sheet) as for 8-pole sockets the core colours are not standardised.**