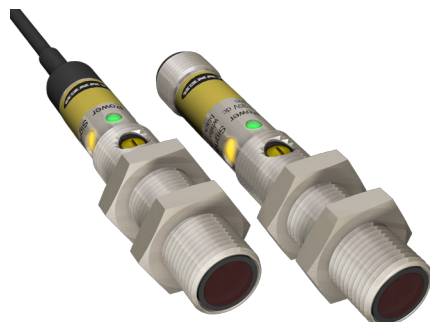


# M12 Series Metal Barrel Sensors

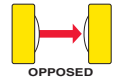


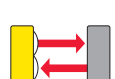
Rugged, self-contained sensors in a 12 mm threaded barrel




## Features

- Complete family of sensors, all housed in a compact 12 mm threaded metal barrel
- Opposed, retroreflective, polarized retroreflective, diffuse and 25, 50, or 75 mm cutoff fixed-field mode operation, depending on model
- Excellent background suppression on fixed-field models; an excellent alternative to proximity sensors
- Two Signal indicator LEDs for easy operating status monitoring from any direction
- 10 to 30V dc operation
- Complementary solid-state outputs (1 normally open, 1 normally closed); PNP (sourcing) or NPN (sinking), depending on model

## Models

Sensing Mode	Model*	Range	Output
<b>Opposed</b> 660 nm Visible Red Effective Beam: 10 mm (0.39") 	<b>M12E</b>	5 m (16.4')	N/A
	<b>M12PR</b>		PNP
	<b>M12NR</b>		NPN
<b>Polarized Retro</b> 660 nm Visible Red 	<b>M12PLP</b>	1.5 m† (4.9')	PNP
	<b>M12NLP</b>		NPN
<b>Retro</b> 660 nm Visible Red 	<b>M12PLV</b>	2.5 m† (8.2')	PNP
	<b>M12NLV</b>		NPN
<b>Diffuse</b> Performance based on use of 90% reflectance white test card. 660 nm Visible Red 	<b>M12PD</b>	400 mm (15.7")	PNP
	<b>M12ND</b>		NPN

Sensing Mode	Model*	Range	Output
<b>Fixed-Field</b> Performance based on use of 90% reflectance white test card. 680 nm Visible Red 	<b>M12PFF25</b>	25 mm (1") cutoff; 25 mm (1") focus	PNP
	<b>M12NFF25</b>		NPN
	<b>M12PFF50</b>	50 mm (2") cutoff; 25 mm (1") focus	PNP
	<b>M12NFF50</b>		NPN
	<b>M12PFF75</b>	75 mm (3") cutoff; 25 mm (1") focus	PNP
	<b>M12NFF75</b>		NPN

\*Only standard 2 m (6.5') cable models are listed. For 9 m (30') cable, add suffix "W/30" to the model number (e.g., **M12E W/30**).

### QD models:

- 4-pin integral Euro-style M12 connector: add suffix "Q8" (e.g., **M12EQ8**).
- 4-pin 150 mm (6") Euro-style pigtail: add suffix "Q5" (e.g., **M12EQ5**).

†Retroreflective range is specified using one model **BRT-84** retroreflector. Actual sensing range may be more or less than specified, depending upon efficiency and reflective area of the retroreflector(s) used.

### **WARNING . . . Not To Be Used for Personnel Protection**

Never use these products as sensing devices for personnel protection. Doing so could lead to serious injury or death.

These sensors do NOT include the self-checking redundant circuitry necessary to allow their use in personnel safety applications. A sensor failure or malfunction can cause either an energized or de-energized sensor output condition. Consult your current Banner Safety Products catalog for safety products which meet OSHA, ANSI and IEC standards for personnel protection.



# M12 Series Metal Barrel Sensors

## Overview

Banner's M12 family of sensors offers a full complement of sensing modes, all packaged in a compact yet rugged metal housing. Their popular 12-mm threaded barrel design allows them to mount easily into tight spaces, with the excellent performance expected of much larger sensors.

The single-turn Gain potentiometer on most models and two Signal LEDs (positioned on either side of the housing for visibility) provide easy alignment and configuration for reliable sensing (see Figure 1). Note that when the signal LED is not ON, the green Power LED is visible through all three LED ports.

## Fixed-Field Mode Overview

M12 Series fixed-field sensors are powerful diffuse-mode sensors with far-limit cutoff (a type of background suppression). Their high excess gain and fixed-field technology allow them to detect objects of low reflectivity that are directly in front of another surface, while ignoring the surface in the background.

The cutoff distance is fixed. Backgrounds and background objects must *always* be placed beyond the cutoff distance.

### Fixed-Field Sensing – Theory of Operation

In operation, the M12FF compares the reflections of its emitted light beam (E) from an object back to the sensor's two differently-aimed detectors R1 and R2 (see Figure 2). If the near detector (R1) light signal is stronger than the far detector (R2) light signal (see object A, closer than the cutoff distance), the sensor responds to the object. If the far detector (R2) light signal is stronger than the near detector (R1) light signal (see object B, object beyond the cutoff distance), the sensor ignores the object.

The cutoff distance for model M12FF sensors is fixed at 25, 50, or 75 mm (1", 2", or 3"). Objects lying beyond the cutoff distance are ignored, even if they are highly reflective. However, it is possible to falsely detect a background object, under certain conditions (see Background Reflectivity and Placement).

In the drawings and discussion on these pages, the letters E, R1, and R2 identify how the sensor's three optical elements (Emitter "E", Near Detector "R1", and Far Detector "R2") line up across the face of the sensor. The location of these elements defines the sensing axis (see Figure 3). The sensing axis becomes important in certain situations, such as those illustrated in Figures 6 and 7.

## Fixed-Field Sensor Setup

### Sensing Reliability

For best sensing reliability, the sensor-to-object distance should be positioned to maximize excess gain. The excess gain curves for these sensors are shown on page 5. Sensing at higher excess gains will make maximum use of the sensor's available sensing power. The background must be placed beyond the cutoff distance; more reflective backgrounds must be placed further back. Following these two guidelines will improve sensing reliability.

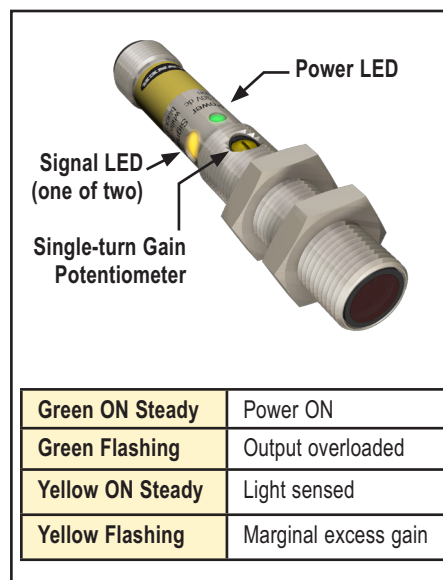


Figure 1. Features

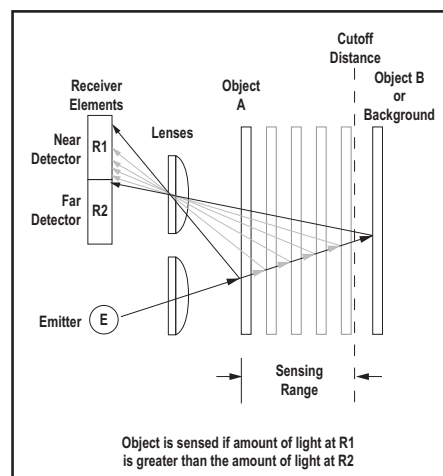


Figure 2. Fixed-field concept

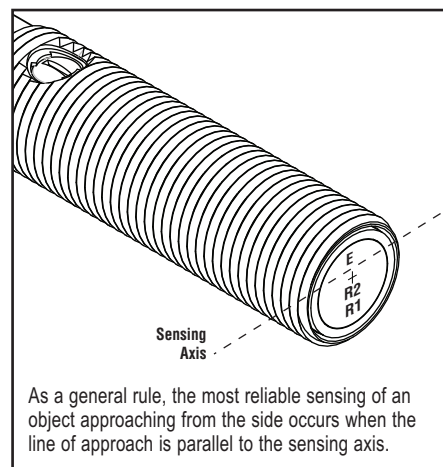


Figure 3. Fixed-field sensing axis

## Background Reflectivity and Placement

Avoid mirror-like backgrounds that produce specular reflections. False sensor response will occur if a background surface reflects the sensor's light more strongly to the near detector, or "sensing" detector (R1) than to the far detector, or "cutoff" detector (R2). The result is a false ON condition (Figure 4). Use of a diffusely-reflective (matte) background will cure this problem. Other possible solutions are to angle the sensor or angle the background (in any plane) so the background does not reflect light back to the sensor (see Figure 5). Position the background as far beyond the cutoff distance as possible.

An object beyond the cutoff distance, either stationary (and when positioned as shown in Figure 6), or if it moves past the face of the sensor in a direction perpendicular to the sensing axis, can cause unwanted triggering of the sensor if it reflects more light to the near detector than to the far detector. The problem is easily remedied by rotating the sensor 90° (Figure 7). The object then reflects the R1 and R2 fields equally, resulting in no false triggering. A better solution, if possible, may be to reposition the object or the sensor.

## Color Sensitivity

The effects of object reflectivity on cutoff distance, though small, may be important for some applications. It is expected that at any given cutoff setting, the actual cutoff distance for lower reflectance targets will be slightly shorter than for higher reflectance targets. This behavior is known as color sensitivity.

The excess gain curves on page 5 were generated using a white test card of 90% reflectance. Objects with reflectivity of less than 90% reflect less light back to the sensor, and thus require proportionately more excess gain in order to be sensed with the same reliability as more reflective objects. When sensing an object of very low reflectivity, it may be especially important to sense it at or near the distance of maximum excess gain.

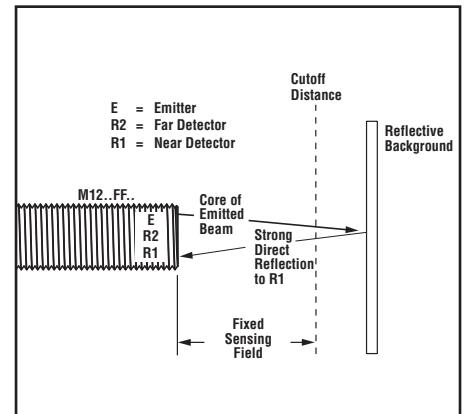


Figure 4. Reflective background – problem

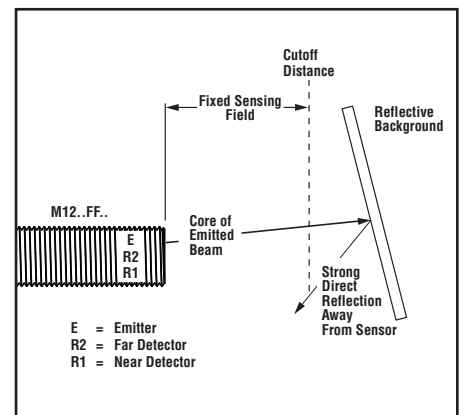


Figure 5. Reflective background – solution

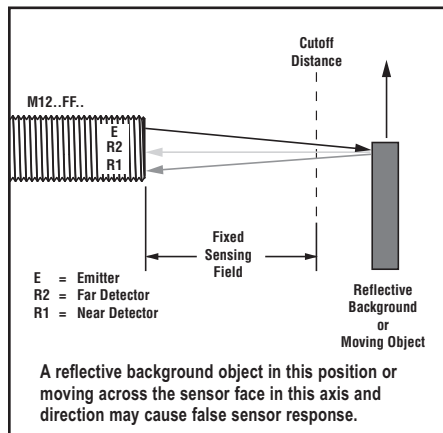


Figure 6. Object beyond cutoff – problem

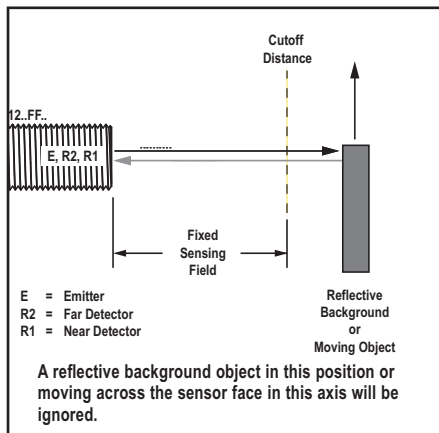



Figure 7. Object beyond cutoff – solution

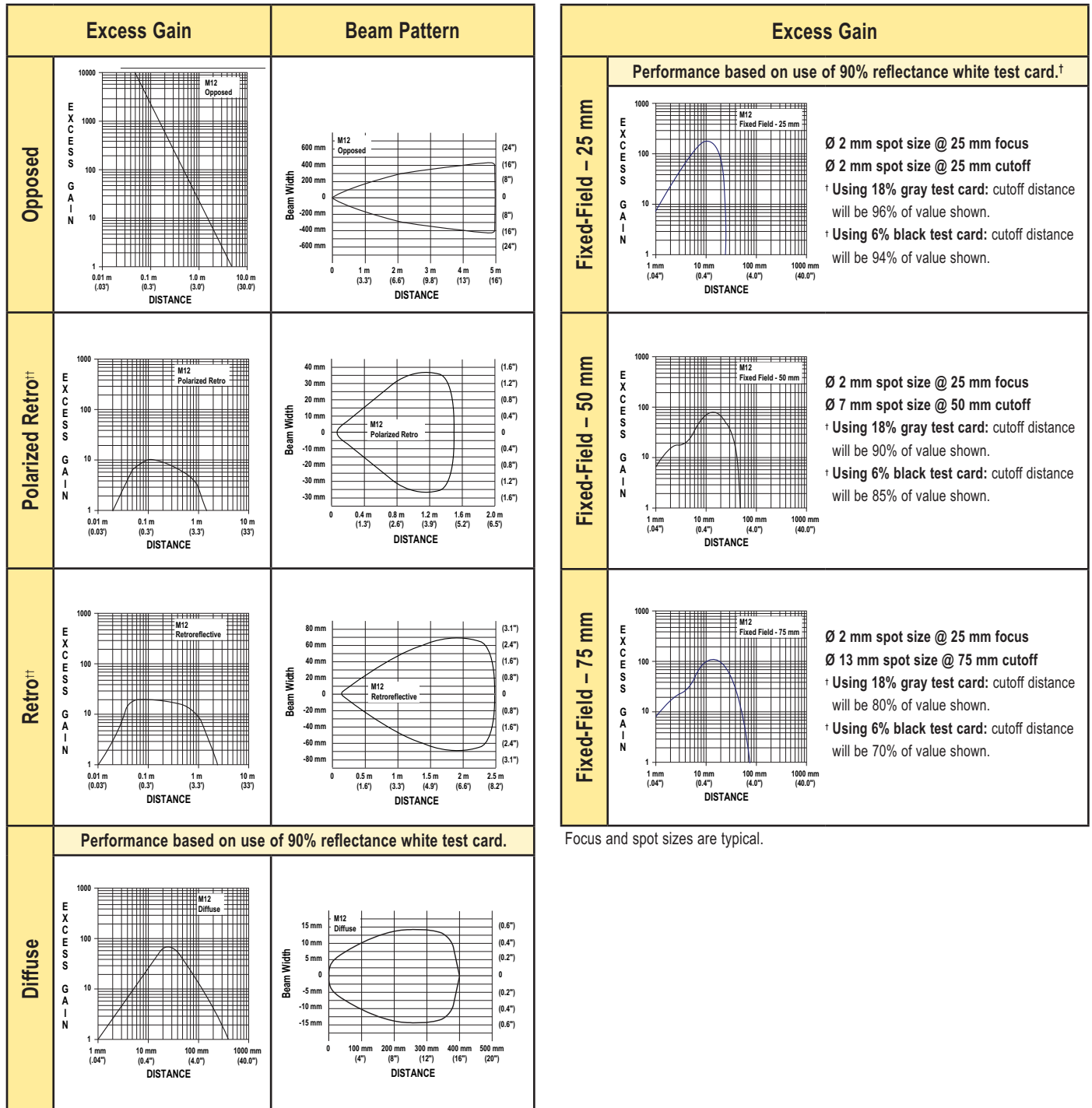
# M12 Series Metal Barrel Sensors

## Specifications

<b>Sensing Beam</b>	<b>Fixed-Field Models:</b> 680 nm visible red <b>All Other Models:</b> 660 nm visible red
<b>Supply Voltage and Current</b>	10 to 30V dc (10% max. ripple) @ 20 mA max current, exclusive of load
<b>Supply Protection Circuitry</b>	Protected against reverse polarity and transient voltages
<b>Output Configuration</b>	Complementary (1 normally open and 1 normally closed) solid-state, NPN or PNP, depending on model
<b>Output Ratings</b>	100 mA total across both outputs with overload and short circuit protection <b>OFF-state leakage current:</b> <b>NPN:</b> less than 200 $\mu$ A @ 30V dc (see Application Note 1) <b>PNP:</b> less than 10 $\mu$ A @ 30V dc <b>ON-state saturation voltage:</b> <b>NPN:</b> less than 1.6V @ 100 mA <b>PNP:</b> less than 3.0V @ 100 mA
<b>Output Protection Circuitry</b>	Protected against false pulse on power-up, short-circuit protected
<b>Output Response Time</b>	<b>Opposed Mode:</b> 625 microseconds ON/375 microseconds OFF <b>All Other Modes:</b> 500 $\mu$ s ON and OFF NOTE: 100 ms delay on power-up; outputs do not conduct during this time.
<b>Repeatability</b>	<b>Opposed Mode:</b> 85 microseconds <b>All Other Modes:</b> 95 microseconds
<b>Indicators</b>	Two Status (yellow) and one Power (green) LED (see Figure 1)
<b>Adjustments</b>	<b>Fixed-Field Models:</b> None <b>All Other Models:</b> Single-turn Gain (sensitivity) potentiometer
<b>Construction</b>	<b>Housing:</b> Nickel-plated brass <b>Lenses:</b> PMMA <b>Cable Endcap and Gain Potentiometer Adjuster:</b> PBT
<b>Environmental Rating</b>	IEC IP67; NEMA 6, IEC IP68 and 1200 PSI Washdown, NEMA ICS 5 Annex F-2002
<b>Connections</b>	2 m (6.5') or 9 m (30') 4-wire PVC-jacketed cable, 4-pin integral Euro-style QD fitting, or 4-pin 150 mm (6") Euro-style pigtail, depending on model
<b>Operating Conditions</b>	<b>Operating temperature:</b> -20° to +60° C (-4° to +140° F) <b>Relative humidity:</b> 90% max @ +50° C (+122° F) non-condensing
<b>Application Notes</b>	1. NPN off-state leakage current is < 200 $\mu$ A for load resistances > 3 k $\Omega$ or optically isolated loads. For load current of 100 mA, leakage is < 1% of load current
<b>Certifications</b>	

# M12 Series Metal Barrel Sensors

## Performance Curves

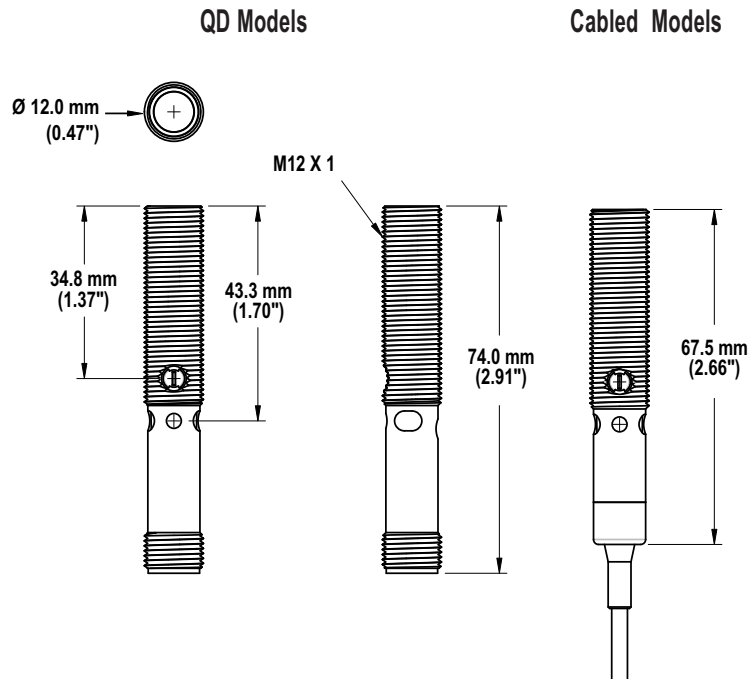


† Focus and spot sizes are typical.

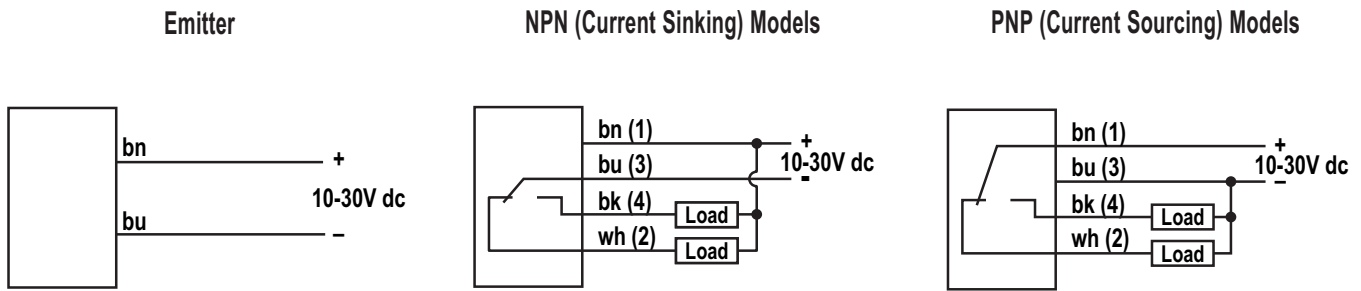
†† Performance based on use of a model BRT-84 retroreflector.

# M12 Series Metal Barrel Sensors

## Dimensions



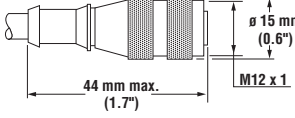
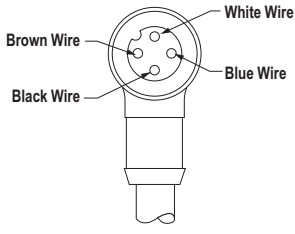
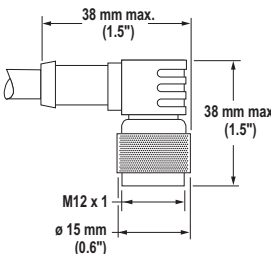
## Hookups



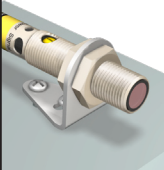
Cabled models are shown; QD hookups are functionally identical. (Emitters have no connection to bk and wh.)

# M12 Series Metal Barrel Sensors

## Quick-Disconnect (QD) Cables

Style	Model	Length	Dimensions	Pinout
4-pin Euro-style straight	<b>MQDC-406</b> <b>MQDC-415</b> <b>MQDC-430</b>	2 m (6.5') 5 m (15') 9 m (30')		
4-pin Euro-style right-angle	<b>MQDC-406RA</b> <b>MQDC-415RA</b> <b>MQDC-430RA</b>	2 m (6.5') 5 m (15') 9 m (30')		

## Mounting Brackets

<b>SMBQS12PD</b>	<ul style="list-style-type: none"> <li>• Right-angle, barrel-mount bracket</li> <li>• 16-ga. 300 series stainless steel</li> </ul>	
------------------	--	--

# M12 Series Metal Barrel Sensors

---



## **Banner Engineering Corp Limited Warranty**

Banner Engineering Corp. warrants its products to be free from defects in material and workmanship for one year following the date of shipment. Banner Engineering Corp. will repair or replace, free of charge, any product of its manufacture which, at the time it is returned to the factory, is found to have been defective during the warranty period. This warranty does not cover damage or liability for misuse, abuse, or the improper application or installation of the Banner product.

**THIS LIMITED WARRANTY IS EXCLUSIVE AND IN LIEU OF ALL OTHER WARRANTIES WHETHER EXPRESS OR IMPLIED (INCLUDING, WITHOUT LIMITATION, ANY WARRANTY OF MERCHANTABILITY OR FITNESS FOR A PARTICULAR PURPOSE), AND WHETHER ARISING UNDER COURSE OF PERFORMANCE, COURSE OF DEALING OR TRADE USAGE.**

This Warranty is exclusive and limited to repair or, at the discretion of Banner Engineering Corp., replacement. **IN NO EVENT SHALL BANNER ENGINEERING CORP. BE LIABLE TO BUYER OR ANY OTHER PERSON OR ENTITY FOR ANY EXTRA COSTS, EXPENSES, LOSSES, LOSS OF PROFITS, OR ANY INCIDENTAL, CONSEQUENTIAL OR SPECIAL DAMAGES RESULTING FROM ANY PRODUCT DEFECT OR FROM THE USE OR INABILITY TO USE THE PRODUCT, WHETHER ARISING IN CONTRACT OR WARRANTY, STATUTE, TORT, STRICT LIABILITY, NEGLIGENCE, OR OTHERWISE.**

Banner Engineering Corp. reserves the right to change, modify or improve the design of the product without assuming any obligations or liabilities relating to any product previously manufactured by Banner Engineering Corp.