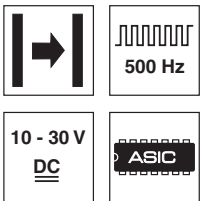


## LSR 25B

## Throughbeam photoelectric sensor

en 05-2016/03 50109622-02



24m

- Throughbeam photoelectric sensor with visible red light
- High performance reserve
- Small and compact construction with robust plastic housing, protection class IP 66/IP 67 for industrial application
- Fast alignment through *brightVision*®
- Push-pull switching outputs
- High switching frequency for detection of fast events
- Warning output for increased availability
- Sensitivity adjustment
- Further options for adapting to the respective application
- Snap-locking connector for time-saving installation

We reserve the right to make changes • DS\_LSR25B466\_en\_50109622\_02.fm

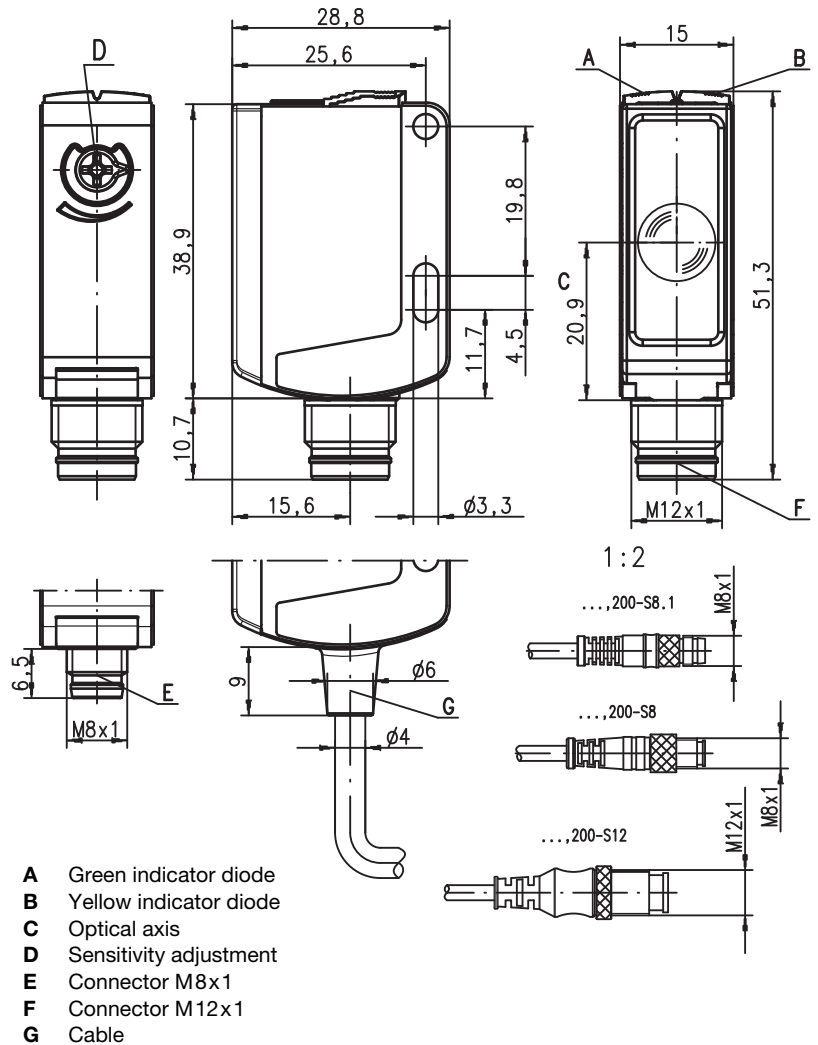


### Accessories:

(available separately)

- Mounting systems (BT 25, UMS 25...)
- Cable with M8 or M12 connector (K-D ...)
- Alignment aid (SAT 5)

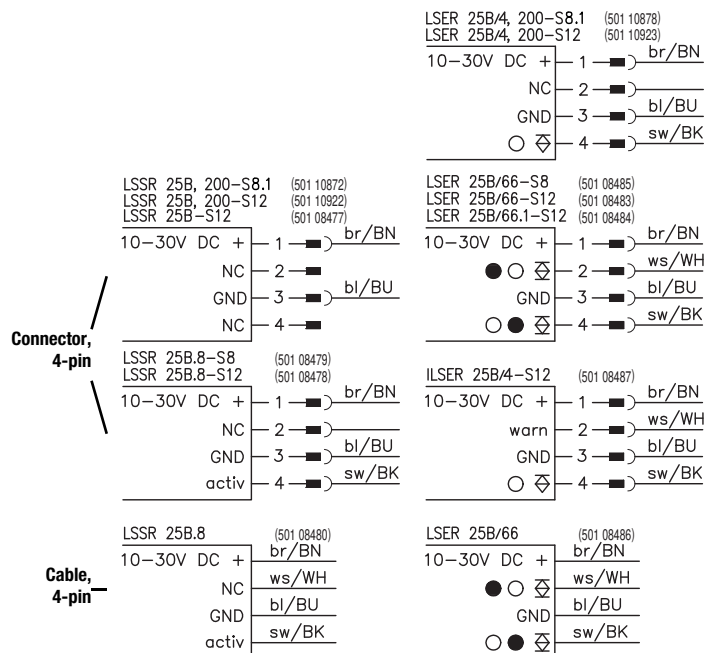
### Dimensioned drawing



### Electrical connection

#### Transmitter:

#### Receiver:



**Specifications**

**Optical data**

Typ. operating range limit <sup>1)</sup>	24 m
Operating range <sup>2)</sup>	20 m
Light source <sup>3)</sup>	LED (modulated light)
Wavelength	620nm (visible red light, polarised)

**Timing**

Switching frequency	500Hz
Response time	1 ms
Delay before start-up	≤ 300ms

**Electrical data**

Operating voltage $U_B$ <sup>4)</sup>	10 ... 30VDC (incl. residual ripple)
Residual ripple	≤ 15% of $U_B$
Open-circuit current	≤ 20mA
Switching output <sup>5)</sup>	LSR .../66 LSR .../66.1 ILSR .../4 ILSR .../4.8 LSR .../4
	2 push-pull switching outputs pin 2: PNP dark switching, NPN light switching pin 4: PNP light switching, NPN dark switching
	1 warning output pin 2: PNP pin 4: PNP light-switching pin 4: PNP light switching, pin 2: NC <sup>6)</sup>
Function characteristics	light/dark switching
Signal voltage high/low	$\geq (U_B - 2V) \leq 2V$
Output current	max. 100mA
Operating range	fixed setting, adjustable with potentiometer for ".1 types"

**Indicators**

Green LED	ready
Yellow LED	light path free
Yellow LED, flashing	light path free, no performance reserve

**Mechanical data**

Housing	plastic (PC-ABS)
Optics cover	plastic (PMMA)
Weight	with connector: 15g with 2m cable: 55g
Connection type	cable 2m (cross section 4x0.21 mm <sup>2</sup> ), M8 or M12 connector

**Environmental data**

Ambient temp. (operation/storage) <sup>7)</sup>	-40°C ... +55°C / -40°C ... +60°C
Protective circuit <sup>8)</sup>	2, 3
VDE safety class <sup>9)</sup>	II
Protection class	IP 66, IP 67
Light source	free group (in accordance with EN 62471)
Standards applied	IEC 60947-5-2
Certifications	UL 508, C22.2 No.14-13 <sup>4) 7) 10)</sup>

**Options**

<b>Warning output autoControl warn</b>	PNP transistor, counting principle
Signal voltage high/low	$\geq (U_B - 2V) \leq 2V$
Output current	max. 100mA
<b>Activation input active</b>	
Transmitter active/not active	$\geq 8V \leq 2V$
Activation/disable delay	≤ 1 ms
Input resistance	10KΩ ± 10%

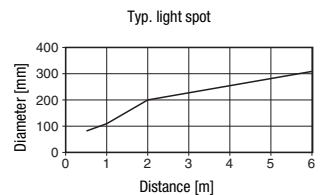
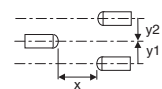
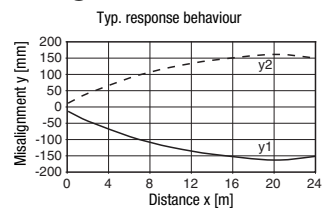
- 1) Typ. operating range limit: max. attainable range without performance reserve
- 2) Operating range: recommended range with performance reserve
- 3) Average life expectancy 100,000h at an ambient temperature of 25°C
- 4) For UL applications: for use in class 2 circuits according to NEC only
- 5) The push-pull switching outputs must not be connected in parallel
- 6) Pin 2: unassigned, hence especially suitable for the connection to AS-interface I/O coupling modules
- 7) UL certified in the temperature range -30°C to 60°C
- 8) 2=polarity reversal protection, 3=short-circuit protection for all transistor outputs
- 9) Rating voltage 50V
- 10) These proximity switches shall be used with UL Listed Cable assemblies rated 30V, 0.5A min, in the field installation, or equivalent (categories: CYJV/CYJV7 or PVVA/PVVA7)

**Tables**

0	20	24
---	----	----

	Operating range [m]
	Typ. operating range limit [m]

**Diagrams**



**Remarks**

**Operate in accordance with intended use!**

- ⚠ This product is not a safety sensor and is not intended as personnel protection.
- ⚠ The product may only be put into operation by competent persons.
- ⚠ Only use the product in accordance with the intended use.

A light axis consists of a transmitter and a receiver with the following designations:

- (I)LSR = complete light axis
- LSSR = transmitter
- (I)LSER = receiver

**UL REQUIREMENTS**

Enclosure Type Rating: Type 1

**For Use in NFPA 79 Applications only.**

Adapters providing field wiring means are available from the manufacturer. Refer to manufacturers information.

**CAUTION** – the use of controls or adjustments or performance of procedures other than those specified herein may result in hazardous radiation exposure.

**ATTENTION!** Si d'autres dispositifs d'alignement que ceux préconisés ici sont utilisés ou s'il est procédé autrement qu'indiqué, cela peut entraîner une exposition à des rayonnements et un danger pour les personnes.

**LSR 25B**
**Throughbeam photoelectric sensor**
**Order guide**

Selection table		Order code →									
Equipment ↓		LSR 25B/66-S12 Part No. 50108477 (Tr) Part No. 50108483 (Re)	LSR 25B/66.8-S12 Part No. 50108478 (Tr) Part No. 50108483 (Re)	ILSR 25B/4-S12 Part No. 50108477 (Tr) Part No. 50108487 (Re)	ILSR 25B/4.8-S12 Part No. 50108478 (Tr) Part No. 50108487 (Re)	LSR 25B/66.1-S12 Part No. 50108477 (Tr) Part No. 50108484 (Re)	LSR 25B/66.8-S8 Part No. 50108479 (Tr) Part No. 50108488 (Re)	LSR 25B/66.8 Part No. 50108480 (Tr) Part No. 50108486 (Re)	LSR 25B/4, 200-S12 Part No. 50110922 (Tr) Part No. 50110923 (Re)	LSR 25B/4, 200-S8.1 Part No. 50110872 (Tr) Part No. 50110873 (Re)	
Switching output	2 x Push-pull switching output	●	●			●	●	●			
	1 x PNP output			●	●				●	●	
Switching function	PNP light switching and NPN dark switching output	●	●	●	●	●	●	●			
	PNP dark switching and NPN light switching output	●	●			●	●	●			
	1 x PNP light switching output								●	●	
	1 warning output, PNP light switching			●	●						
Connection	M8 connector, 4-pin						●				
	M12 connector, 4-pin	●	●	●	●	●					
	cable 2,000 mm							●			
	cable 200 mm with M12 connector, 4-pin								●		
	cable 200 mm with M8 connector, 4-pin <sup>1)</sup>									●	
Indicators	green LED: ready	●	●	●	●	●	●	●	●	●	
	yellow LED: light path free	●	●	●	●	●	●	●	●	●	
Options	sensitivity adjustment via potentiometer					●					
	activation input		●		●		●	●			
	high performance reserve	●	●	●	●	●	●	●	●	●	

1) Acc. to IEC 61076-2-101, NM construction with snap locking

