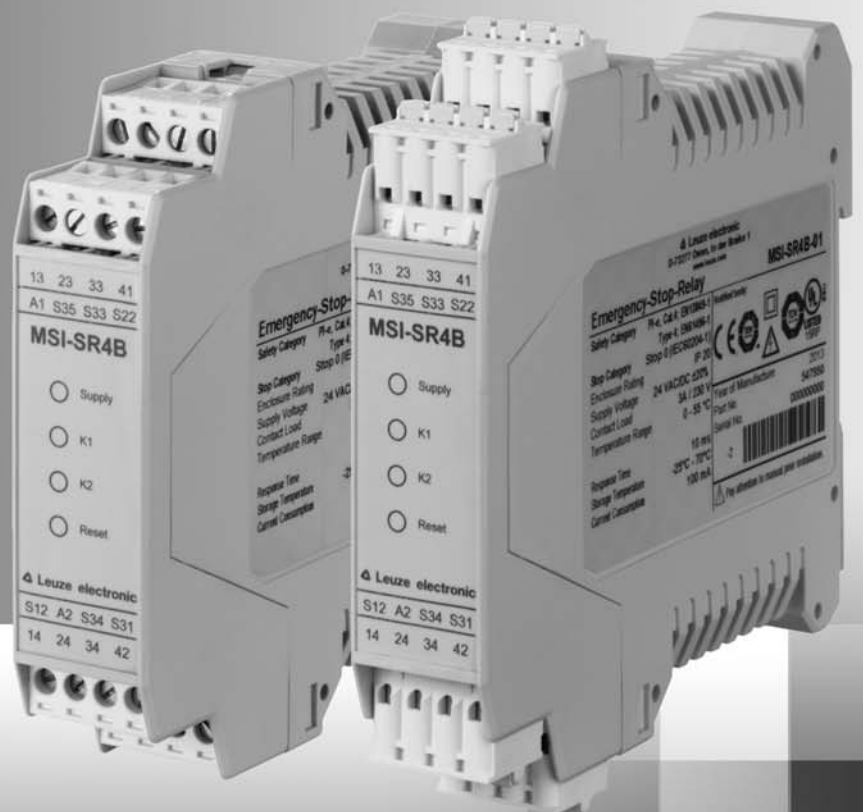


## MSI-SR4B Safety relays



© 2013

Leuze electronic GmbH + Co. KG

In der Braike 1

D-73277 Owen / Germany

Phone: +49 7021 573-0

Fax: +49 7021 573-199

<http://www.leuze.com>

[info@leuze.de](mailto:info@leuze.de)

<b>1</b>	<b>About this document.</b> . . . . .	<b>4</b>
1.1	Used symbols and signal words . . . . .	4
1.2	Checklists . . . . .	4
<b>2</b>	<b>Safety</b> . . . . .	<b>5</b>
2.1	Approved purpose and foreseeable improper operation . . . . .	5
2.1.1	Proper use . . . . .	5
2.1.2	Foreseeable misuse . . . . .	6
2.2	Competent persons . . . . .	6
2.3	Responsibility for safety . . . . .	6
2.4	Disclaimer . . . . .	7
<b>3</b>	<b>Device description</b> . . . . .	<b>8</b>
3.1	Device overview . . . . .	9
3.2	Display elements . . . . .	9
<b>4</b>	<b>Functions</b> . . . . .	<b>10</b>
<b>5</b>	<b>Applications</b> . . . . .	<b>11</b>
<b>6</b>	<b>Mounting.</b> . . . . .	<b>12</b>
<b>7</b>	<b>Electrical connection</b> . . . . .	<b>13</b>
7.1	Terminal assignments . . . . .	13
7.2	Circuit diagram examples . . . . .	14
<b>8</b>	<b>Starting up the device.</b> . . . . .	<b>16</b>
8.1	Switching on . . . . .	16
8.2	Start/restart . . . . .	16
8.2.1	Unlocking start/restart interlock . . . . .	16
<b>9</b>	<b>Testing</b> . . . . .	<b>17</b>
9.1	Before the initial start-up and following modifications . . . . .	17
9.1.1	Checklist – initial start-up . . . . .	17
9.2	To be performed periodically by a competent person . . . . .	18
9.3	To be performed daily by the operating personnel . . . . .	19
9.3.1	Check list – daily or at change of shift . . . . .	19
<b>10</b>	<b>Maintenance.</b> . . . . .	<b>20</b>
<b>11</b>	<b>Disposing</b> . . . . .	<b>21</b>
<b>12</b>	<b>Service and support</b> . . . . .	<b>22</b>
<b>13</b>	<b>Technical data</b> . . . . .	<b>23</b>
13.1	Dimensions . . . . .	24
<b>14</b>	<b>Order guide</b> . . . . .	<b>26</b>
<b>15</b>	<b>EC Declaration of Conformity.</b> . . . . .	<b>27</b>

# 1 About this document

## 1.1 Used symbols and signal words

Table 1.1: Warning symbols and signal words


	Symbol indicating dangers to persons
NOTICE	Signal word for property damage Indicates dangers that may result in property damage if the measures for danger avoidance are not followed.
CAUTION	Signal word for minor injury Indicates dangers that may result in minor injury if the measures for danger avoidance are not followed.
WARNING	Signal word for serious injury Indicates dangers that may result in serious or fatal injury if the measures for danger avoidance are not followed.
DANGER	Signal word for life-threatening danger Indicates dangers with which serious or fatal injury is imminent if the measures for danger avoidance are not followed.

Table 1.2: Other symbols



	Symbol for tips Text passages with this symbol provide you with further information.
	Symbols for action steps Text passages with this symbol instruct you to perform actions.

Table 1.3: Terms and abbreviations

AOPD	Active Optoelectronic Protective Device <b>Active Optoelectronic Protective Device</b>
EDM	<b>External Device Monitoring</b>
OSSD	<b>Output Signal Switching Device</b>
SSD	<b>Secondary Switching Device</b>
RES	Start/ <b>RE</b> start interlock
PFH <sub>b</sub>	Probability of a dangerous failure per hour <b>Probability of dangerous Failure per Hour</b>
MTTF <sub>d</sub>	Mean time to a dangerous failure <b>(Mean Time To dangerous Failure)</b>
PL	<b>Performance Level</b>

## 1.2 Checklists

The checklists (see chapter 9 „Testing“) serve as a reference for the machine manufacturer or supplier. They replace neither testing of the complete machine or system prior to the initial start-up nor their periodic testing by a competent person. The checklists contain minimum testing requirements. Depending on the application, other tests may be necessary.

## 2 Safety

Before using the safety relay, a risk evaluation must be performed according to valid standards (e.g. EN ISO 12100, ISO 13849-1, EN/IEC 61508, EN/IEC 62061). The result of the risk assessment determines the required safety level of the safety relay (see table 13.1). For mounting, operating and testing, this document as well as all applicable national and international standards, regulations, rules and directives must be observed. Relevant and supplied documents must be observed and handed to the affected personnel.

↳ Before working with the safety relay, completely read and understand the documents applicable to your task.


In particular, the following national and international legal regulations apply for the start-up, technical inspections and work with safety relays:

- Machinery directive 2006/42/EC
- Low voltage directive 2006/95/EC
- Electromagnetic compatibility 2004/108/EC
- Use of Work Equipment Directive 2009/104/EG
- OSHA 1910 Subpart 0
- Safety regulations
- Accident-prevention regulations and safety rules
- Industrial safety regulation and employment protection act
- Product Safety Act



For safety-related information you may also contact the local authorities (e.g., industrial inspectorate, employer's liability insurance association, labor inspectorate, occupational safety and health authority).

### 2.1 Approved purpose and foreseeable improper operation


 **DANGER**

**Electrically live systems pose a risk of electric shock!**

↳ During all conversions, maintenance work and inspections, make certain that the voltage supply is interrupted and protected against being restarted again.

↳ Only have work on the electrical system and electronics performed by a competent person.

#### 2.1.1 Proper use

 **WARNING**

**A running machine may result in serious injury!**

↳ Make certain that the safety relay is correctly connected and that the protective function of the protective device is ensured.

↳ Make certain that, during all conversions, maintenance work and inspections, the system is securely shut down and protected against being restarted again.

Only if the safety relay is correctly connected and correctly started up is the protective function of the protective device ensured. To prevent misuse and resulting dangers, the following must be observed:

- These operating instructions are included in the documentation of the system on which the protective device is mounted and are available to the operating personnel at all times.
- The safety relay is used as a safety monitoring device in combination with safety sensors, switches and command devices for guarding danger zones or points of operation in machines and systems.
- The safety relay must only be used after it has been selected in accordance with the respectively applicable instructions and relevant standards, rules and regulations regarding labor protection and safety at work, and after it has been installed, connected, checked and commissioned by a **competent person**.
- The safety relay must only be connected and commissioned in accordance with its specifications (technical data, environmental conditions, etc.).
- The “Reset” acknowledgment button for unlocking the start/restart interlock must be located outside of the danger zone.
- The entire danger zone must be visible from the installation site of the acknowledgment button.
- The safety relay must be selected so that its safety-related capability meets or exceeds the required Performance Level PL ascertained in the risk assessment (see table 13.1).
- The machine or system control must be electrically influenceable so that a switch command sent by the safety relay results in the immediate shutdown of the dangerous movement.
- The construction of the safety relay must not be altered. When manipulating the safety relay, the protective function is no longer guaranteed. Manipulating the safety relay also voids all warranty claims against the manufacturer of the safety relay.
- The safety relay must be tested regularly by a competent person (see chapter 9 „Testing“).
- The safety relay must be exchanged after a maximum of 20 years. Repairs or the exchange of parts subject to wear and tear do not extend the service life.

### 2.1.2 Foreseeable misuse

Any use other than that defined under the “Approved purpose” or which goes beyond that use is considered improper use.

Alone, the safety relay is not a complete protective device. It is not suitable for use in the following cases:

- in explosive or easily flammable atmospheres.
- on machines or systems with long stopping times.

## 2.2 Competent persons

Prerequisites for competent persons:

- They have a suitable technical education.
- They know the rules and regulations for labor protection, safety at work and safety technology and can assess the safety of the machine.
- They know the instructions for the safety relay and the machine.
- They have been instructed by the responsible person on the mounting and operation of the machine and of the safety relay.

## 2.3 Responsibility for safety

Manufacturer and operating company must ensure that the machine and implemented safety relay function properly and that all affected persons are adequately informed and trained.

The type and content of all imparted information must not lead to unsafe actions by users.

The manufacturer of the machine is responsible for:

- Safe machine construction
- Safe implementation of the safety relay
- Imparting all relevant information to the operating company
- Adhering to all regulations and directives for the safe starting-up of the machine

The operator of the machine is responsible for:

- Instructing the operating personnel
- Maintaining the safe operation of the machine
- Adhering to all regulations and directives for labor protection and safety at work
- Regular testing by competent persons

## **2.4 Disclaimer**

Leuze electronic GmbH + Co. KG is not liable in the following cases:

- Safety relay is not used as intended
- Safety notices are not adhered to.
- Reasonably foreseeable misuse is not taken into account.
- Mounting and electrical connection are not properly performed.
- Proper function is not tested (see chapter 9 „Testing“).
- Changes (e.g., constructional) are made to the safety relay

### 3 Device description

The MSI-SR4B E-Stop relay is used as a connecting element between optoelectronic protective devices of type 3 or 4 as well as a sequential device for 1- or 2-channel protective-door and E-Stop monitors and the machine control.

The safety relay is intended for installation on the DIN rail in the cabinet and is wired via the 16 terminals. All connection terminals are pluggable. The individual terminal blocks are mechanically coded to prevent swapping or skewed plug in. The safety relays are available with screw terminals or spring-cage terminals.



Figure 3.1: MSI-SR4B with screw terminals



Figure 3.2: MSI-SR4B with spring-cage terminals

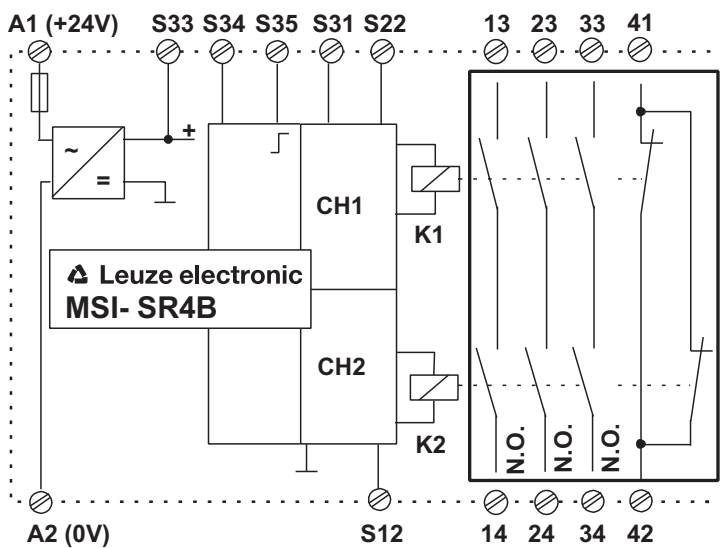


Figure 3.3: Internal circuit diagram MSI-SR4B

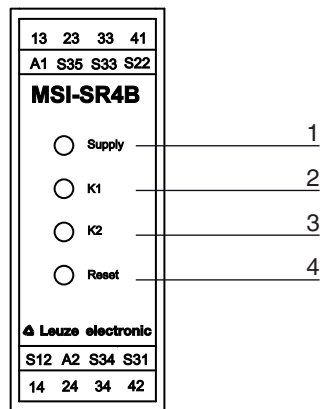


### 3.1 Device overview

- 1- or 2-channel E-Stop circuit
- Cross-circuit recognition
- Monitoring of external contactors in the button circuit
- Monitored start button (cross connections between the button contacts and earth faults in the button circuit are detected.)
- Automatic and manual start
- 3 release circuits, 1 NC contact as auxiliary power circuit
- LED displays Power, K1 and K2, reset
- Operating voltage 24 V AC/DC
- Housing width, 22.5 mm
- Removable connection terminal blocks (screw terminals, spring-cage terminals)

### 3.2 Display elements

The display elements of the safety relay simplify the start-up and fault analysis.



- 1 LED "Supply"
- 2 LED "K1"
- 3 LED "K2"
- 4 LED "Reset"

Figure 3.4: Display elements of the MSI-SR4B

Table 3.1: Meaning of the LEDs

LED	Color	Description
Supply	green	Supply voltage on
K1	green	Relay K1 picked up
K2	green	Relay K2 picked up
Reset	Yellow	Restart interlock locked

## 4 Functions

### Single-channel E-Stop circuit, manual start

see figure 7.3

After applying the supply voltage to A1 and A2 and with the E-Stop button not actuated, relays K1 and K2 pick up upon actuation of the start button and lock. The release circuits 13-14, 23-24 and 33-34 close, signal circuit 41-42 opens. Upon actuation of the E-Stop button, K1 and K2 go dead and drop out. The release circuits open, the signal circuit closes. With one-channel E-Stop wiring, up to category 2 acc. to EN ISO 13849-1: 2009 is achieved. Earth faults in the button circuit are detected.

### Two-channel E-Stop circuit, manual start

see figure 7.3

Function/operating principle as described above. In addition, contactor contacts K1 and K2 are looped into the start circuit (reset) (EDM).

With two-channel E-Stop wiring, up to category 4 acc. to EN ISO 13849-1: 2009 is achieved.

### Downstream safety circuit for optoelectronic protective devices type 4, EN 61496-1

see figure 7.1, see figure 7.2

Optionally, light beam safety devices of type 4 can be connected with relay outputs (see figure 7.1) or with fail-safe semiconductor outputs (see figure 7.2). When calculating the safety distance, the regression delay of the MSI-SR4B of 10 ms must be included. As an alternative to the start circuit, a bridge can be placed between S34 and S35 for automatic start. With this operating mode, it must not be possible to reach or step behind the light beam safety device.

### Two-channel sliding safety guard monitoring

see figure 7.3

Based on the specified signal sequence, when using two, forced position switches, the direction-dependent actuation of the contacts, e.g. of a safety guard, is monitored. For automatic start (bridge S34 - S35), reaching or stepping behind must not be possible.

### Signal sequence monitoring

The function expects the first signal at S22 and the second signal at S12. The time offset is arbitrary. If, due to, e.g., misalignment of a contact actuator, the times of the signals are swapped, this is tolerated up to max. 20 ms. Afterwards, the release circuits of the MSI-SR4B close. Signal sequence monitoring is only active if wired for automatic start. The EDM signal must be applied for max. 20 ms at S12 after the signal is received.

### Monitoring of the S inputs

In the event of a cross connection at inputs S12 and S22 or of a short circuit of input S12 to ground, output relays K1 and K2 are switched off via an electronic fuse. The MSI-SR4B is again ready for operation approx. 2 s after the cause of the malfunction has been eliminated.

### Start button monitoring during manual start

see figure 7.1

To detect static faults or blocking of the start button, the button function is monitored for signal changes. Enabling occurs when the button is released (1/0 signal change). This function is deactivated during automatic start.

### Contactor monitoring (EDM) with manual start

see figure 7.1

For function monitoring of the external contactors, their NC contacts (K4, K5) are looped into start circuit S35 with start button in series.

### Contactor monitoring (EDM) with automatic start

see figure 7.2

For function monitoring of the external contactors, their NC contacts (K4, K5) are looped in between S34 and S35 in series.

## 5 Applications

- Single-channel E-Stop circuit, (up to category 2, EN ISO 13849-1: 2009)
- Two-channel E-Stop wiring with cross-circuit recognition (up to category 4, EN ISO 13849-1: 2009)
- Single-channel protective door monitoring (up to category 2, EN ISO 13849-1: 2009)
- Two-channel protective door monitoring (up to category 4, EN ISO 13849-1: 2009)
- Sequential circuit for safety sensor semiconductor outputs (two-channel, self-testing)

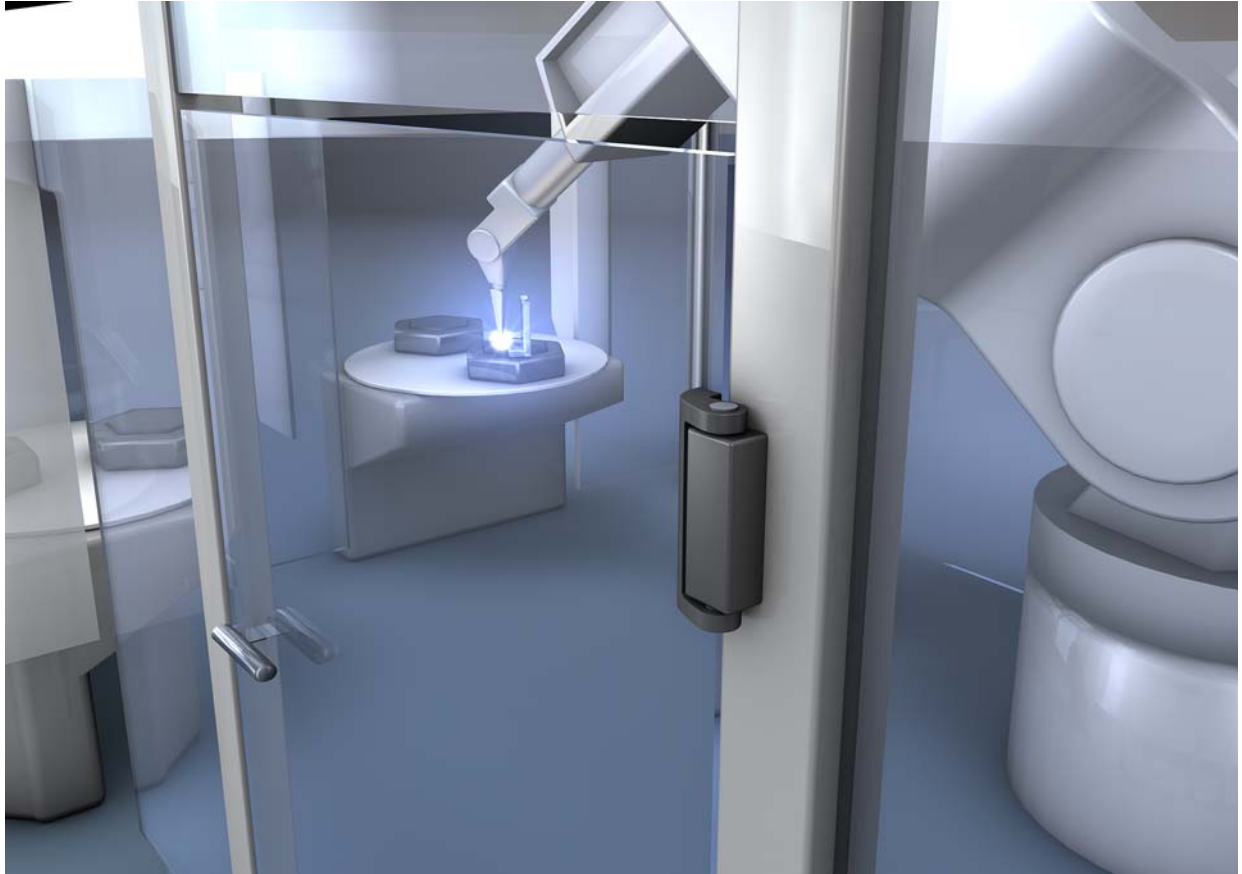


Figure 5.1: Guarding a robot area with S400 safety hinge switch and MSI-SR4B safety relay

## 6 Mounting



### WARNING

**Improper mounting may result in serious injury!**

The protective function of the safety relay is only ensured if appropriately and professionally mounted for the respective, intended area of application.

↳ Only allow competent persons to install the safety relay.

↳ Observe the relevant standards, regulations and these instructions.

The safety relay is intended for mounting on a DIN rail in a cabinet.

Prerequisites for mounting:

- Cabinet with appropriate protection rating (at least IP54).
- Sufficient space on the DIN rail.
- Arrangement of the protective device acc. to EN 999 and IEC/pr EN 61496-2.

↳ Snap the safety relay onto the DIN rail.

The safety relay can be connected to the safety sensors.

## 7 Electrical connection

### DANGER

#### **Risk of death by electric shock!**

Depending on external wiring, dangerous voltages may be present at the switching outputs.

↳ During all work at the electrical system or electronics, make certain that each voltage supply has been interrupted and protected against being restarted.

The following must be observed for the current supply of the safety relay:

- Supply voltage 24 V DC  $\pm 20\%$ .
- Safe mains separation acc. to EN/IEC 60742 possible.
- A corresponding power supply unit handles interruptions of the supply voltage up to 10 ms in duration acc. to EN/IEC 61496-1.

### WARNING

#### **Improper electrical connection may result in serious injury!**

↳ Only allow competent persons to perform the electrical connection.

↳ Make certain that supply and signal lines are laid separately from power lines.

↳ Use appropriate spark extinction for contactors in the cabinet.

↳ Observe the installation notices and operating instructions of the products that are to be connected via the safety relay (drive motors, brakes, etc.).

The following conditions apply for the electrical connection:

- The safety relay is to be integrated in the control acc. to ISO 13849-1.
- No safety-relevant signals are switched via the message outputs.
- There are always two switching contacts integrated in the system switch-off circuit.
- Relay switching contacts are fused/protected externally according to their specifications (see table 13.2).

### **Connecting the signal lines**

For reliable and touch-safe contacts, isolate the connection ends as follows:

- Screw terminals: 7 mm
- Spring-cage terminals: 8 mm

## 7.1 Terminal assignments

### WARNING

#### **Selecting the wrong functions may result in serious accidents!**

↳ Always connect safety sensors to an external safety relay and activate the restart interlock.

↳ For access guarding, make certain that the restart interlock cannot be unlocked from within the danger zone but that the danger zone can be viewed from the acknowledgment button (Reset).

↳ Select the functions so that the safety relay is used as intended (see chapter 2.1 „Approved purpose and foreseeable improper operation“).

Connected to the safety relay are 16 numbered terminals to which the cables for the various functions are connected.

Table 7.1: Terminal assignments

Terminal	MSI-SR4B
13	Relay contact 1 IN
23	Relay contact 2 IN
33	Relay contact 3 IN
41	Signal contact IN
A1	+24V
S35	Restart input
S33	Sensor supply contacts 24V OUT
S22	Sensor input
S12	Sensor input
A2	0V
S34	Automatic restart output
S31	Sensor input
14	Relay contact 1 OUT
24	Relay contact 2 OUT
34	Relay contact 3 OUT
42	Signal contact IN

## 7.2 Circuit diagram examples

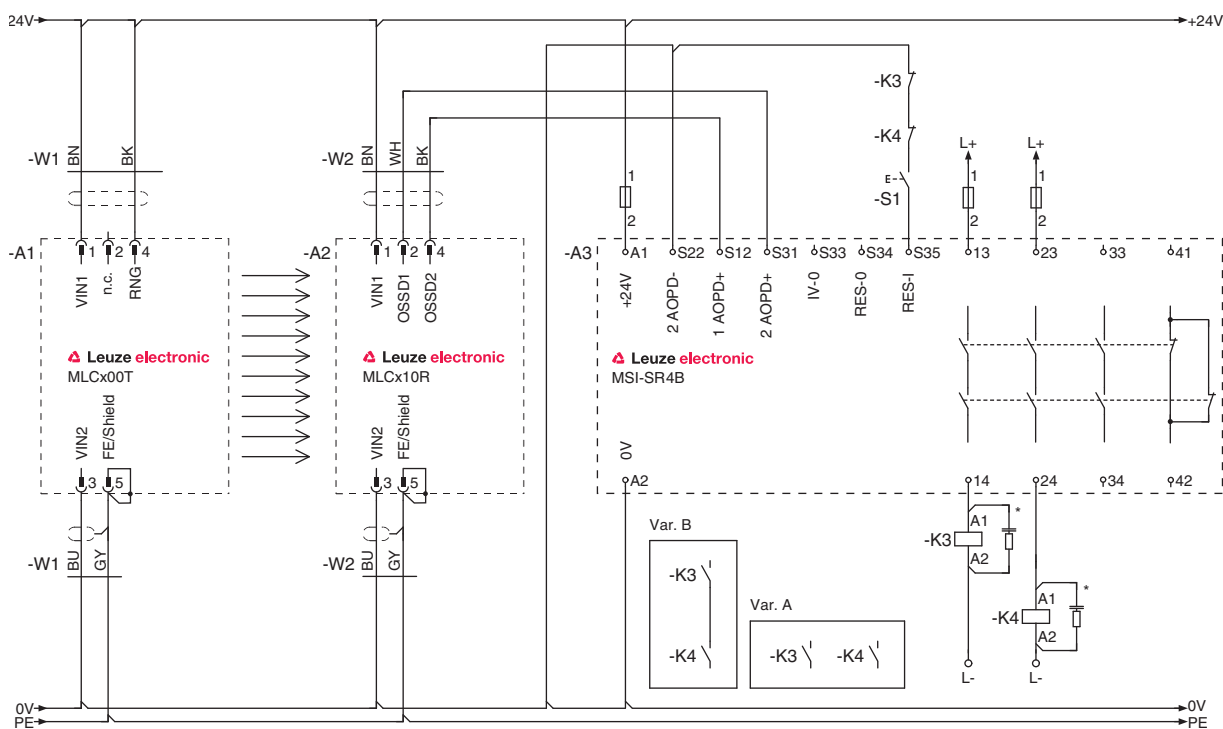


Figure 7.1: MSI-SR4B with MLC 510 safety light curtain

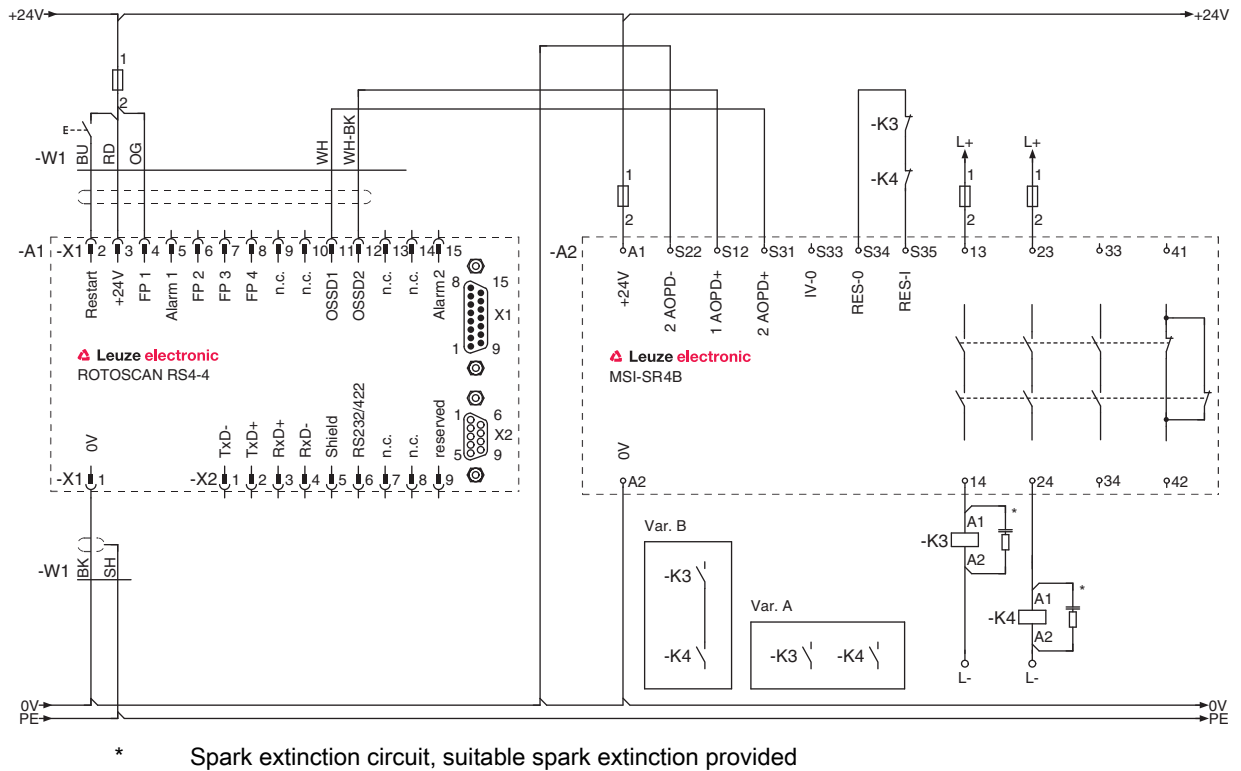


Figure 7.2: MSI-SR4B as the link between ROTOSCAN RS4-4 safety laser scanner and machine control with contactor monitoring (EDM) and automatic start/restart (start/restart interlock via laser scanner)

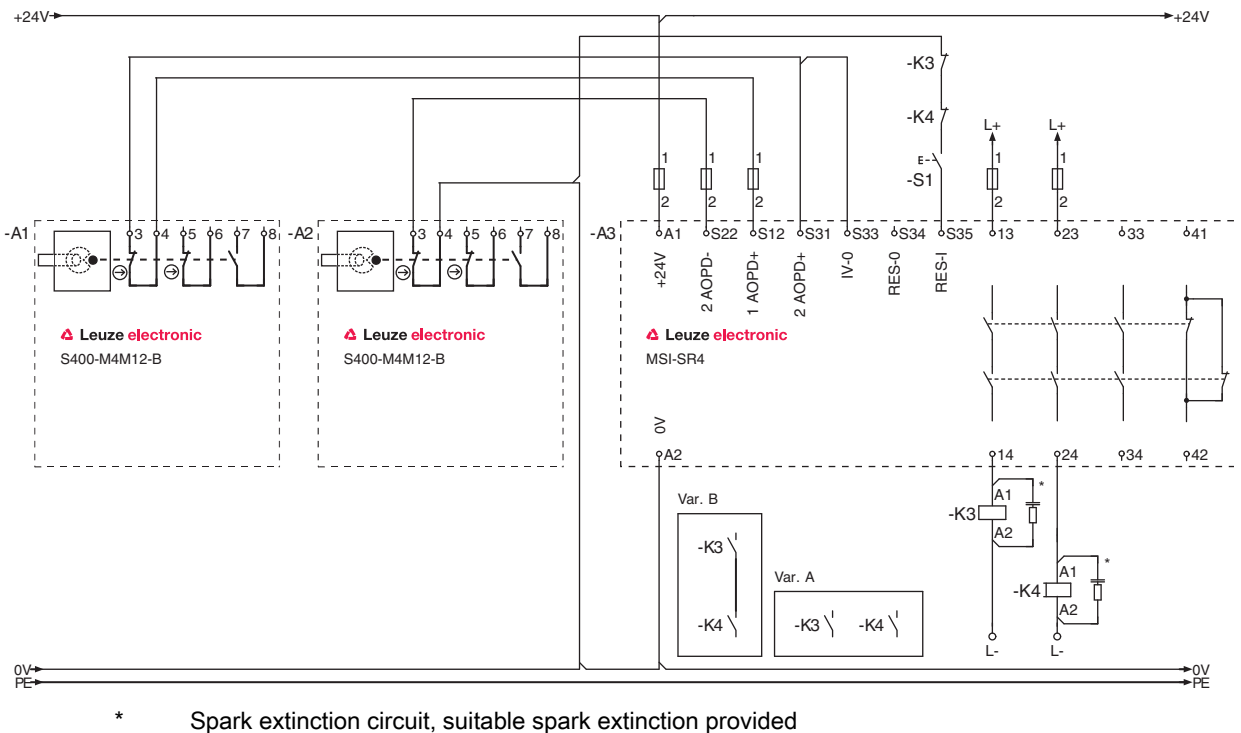


Figure 7.3: MSI-SR4B as link between S400 safety hinge switches and machine control system with contactor monitoring (EDM) and manual start

## 8 Starting up the device

### WARNING

**Improper use of the safety relay may result in serious injury!**

- ↪ Make certain that the entire device and the integration of the mechanical optoelectronic protective device was inspected by competent and instructed persons.
- ↪ Make certain that a dangerous process can only be started while the safety devices are switched on.

Prerequisites:

- Safety sensors, switches and safety relay were mounted and connected in accordance with the respective instructions.
  - Operating personnel were instructed on proper use.
  - Dangerous process was switched off and the system has been protected against being restarted again.
- ↪ During start-up, test the function of the safety relay (see chapter 9 „Testing“).

### 8.1 Switching on

Requirements for the supply voltage (power supply unit):

- Safe mains separation is ensured (acc. to EN/IEC 60742).
- Changes and interruptions of the supply voltage are handled (acc. to EN/IEC 61496-1).
- The start/restart interlock function is connected and activated.

↪ Switch on the current supply.

↪ Check whether the “ON/OFF” LED on the safety relay lights up.

The safety relay is ready for use.

### 8.2 Start/restart

The start/restart button can be used to unlock the start/restart interlock. In this way, the responsible person can restore normal operation of the system following process interruptions (triggering of the protective function, failure of the voltage supply, see chapter 8.2.1 „Unlocking start/restart interlock“).

#### 8.2.1 Unlocking start/restart interlock

### WARNING

**Premature unlocking of the start/restart interlock may result in serious injury!**

If the start/restart interlock is unlocked, the system can start-up automatically.

- ↪ Before unlocking the start/restart interlock, make certain that no people are in the danger zone.

The red and yellow LEDs illuminate as long as the restart is disabled.

↪ Make certain that the active protective field is clear.

↪ If the active protective field is not clear, select a different procedure .

↪ Make certain that there are no people in the danger zone.

↪ Press the start/restart button and release it again (after 0.06 ... 2 s).

The safety relay switches back to the “ON” state.



## 9 Testing

 **WARNING**

**A running machine may result in serious injury!**

↪ Make certain that, during all conversions, maintenance work and inspections, the system is securely shut down and protected against being restarted again.

The safety relays must be exchanged after a maximum of 20 years.

- ↪ Always exchange the entire safety relay.
- ↪ For the tests, observe nationally applicable regulations.
- ↪ Document all tests in a comprehensible manner.

### 9.1 Before the initial start-up and following modifications

Acc. to IEC/TS 62046 and international regulations (e.g. EU directive 2009/104/EG), tests are to be performed by competent persons in the following situations:

- Prior to the initial start-up
- Following modification to the machine
- After longer machine downtime
- After retrofitting or reconfiguring the safety device (safety relay and/or safety sensors)

 **WARNING**

**Unpredictable machine behavior during initial start-up may result in serious injury!**

↪ Make certain that there are no people in the danger zone.

- ↪ Test the effectiveness of the shutdown function in all operating modes of the machine acc. to the corresponding checklist (see chapter 9.1.1 „Checklist – initial start-up“).
- ↪ Document all tests in a comprehensible manner and include the configuration of the safety relay along with the data for the safety and minimum distances in the documentation.
- ↪ Before they begin work, train the operating personnel on their respective tasks. The training is the responsibility of the operating company.
- ↪ Check whether the safety relay was correctly selected acc. to the locally applicable regulations and directives.
- ↪ Check whether the safety relay is operated acc. to the specified environmental conditions (see chapter 13 „Technical data“).
- ↪ Make certain that the safety relay is protected against overcurrent.
- ↪ Perform a visual inspection for damage and test the electrical function (see chapter 9.2 „To be performed periodically by a competent person“).

Minimum requirements for the power supply unit:

- Safe mains separation.
- Power-failure bridging for at least 10 ms.

Not until proper function of the optoelectronic safety device and the safety relay is ascertained may they be integrated in the control circuit of the system.

#### 9.1.1 Checklist – initial start-up

**Interval:** once, prior to the initial start-up and following modification

**Tester:** competent person

Table 9.1: Checklist – initial start-up

Items on the check list	Yes	No
Were all safety directives and standards relevant to this machine type observed?		
Does the Declaration of Conformity of the machine include a listing of these documents?		
Does the safety relay satisfy the safety-related capability (PL, SIL, category) as required by the risk assessment?		
Circuit diagram: Are the safety-related switching outputs (OSSDs) integrated in the downstream machine control acc. to the required safety category?		
Are the switching elements (e.g. contactors) with positive-guided contacts that are controlled by the safety relay monitored by a feedback circuit (EDM)?		
Does the electrical wiring match the circuit diagrams?		
Have the required protective measures against electrical shock been effectively implemented?		
Has the maximum stopping time of the machine been remeasured and recorded in the machine documents?		
Is the required safety distance (protective field to the next point of operation) maintained?		
Are all points of operation of the machine accessible only through the protective field? Are all additional protective devices (e.g. safety guards) correctly mounted and protected against tampering?		
Is the command device for triggering the start/restart interlock of the safety relay or the machine mounted in accordance with specifications?		
Are safety relay, connecting cable, plug, protection caps and command devices undamaged and free of any signs of manipulation?		
Has the effectiveness of the protective function been ensured for all operating modes of the machine by means of a function test?		
Is the start/restart button for resetting the safety relay mounted outside of the danger zone in accordance with specifications in such a way that it cannot be reached from within the danger zone? Can the entire danger zone be seen from the place at which the start/restart button is installed?		
Does the interruption of any given beam cause the dangerous movement to stop?		
When the AOPD is separated from its supply voltage, does the dangerous movement stop, and, after the supply voltage has been restored, is it necessary to actuate the start/restart button to reset the machine?		
Is the safety relay/safety sensors effective during the entire dangerous movement of the machine?		
Are the notices for daily testing of the safety sensor legible to the operating personnel and are they located in a highly visible location?		

↳ Store this checklist with the machine documents.

## 9.2 To be performed periodically by a competent person

The reliable interaction of safety sensor, safety relay and machine must be periodically tested in order to detect changes to the machine or impermissible tampering with the safety sensor. Testing intervals are determined by nationally applicable regulations (recommendation acc. to IEC/TS 62046: 6 months).

- ↪ Have all tests performed by competent persons.
- ↪ Observe the nationally applicable regulations and the time periods specified therein.

**9.3 To be performed daily by the operating personnel**

The function of the safety relay must be checked daily or at change of shifts, and at each change of machine operating mode as specified in the corresponding checklist (see chapter 9.3.1 „Check list – daily or at change of shift“) so that damages or unauthorized manipulations can be detected.

<b>WARNING</b>
<b>Unpredictable machine behavior during the test may result in serious injury!</b>
↪ Make certain that there are no people in the danger zone.

<b>WARNING</b>
<b>Faults during the daily inspection may result in serious injury!</b>
If you answer one of the items on the check list (see table 9.2) with “no”, the machine must no longer be operated.
↪ Have the entire machine inspected by a competent person (see chapter 9.1 „Before the initial start-up and following modifications“).

- ↪ Stop the dangerous state.
- ↪ Check the safety relay, sensors, switches and command devices for damage or tampering.
- ↪ Interrupt the light beam of the light beam safety device and actuate the switches and command devices from a position outside the danger zone and ensure that the machine cannot be started when a light beam is interrupted.
- ↪ Start the machine.
- ↪ Ensure that the dangerous state is stopped as soon as a light beam is interrupted or a switch is actuated.

**9.3.1 Check list – daily or at change of shift**

**Interval:** daily or at shift change

**Tester:** authorized operating personnel or instructed person

Table 9.2: Check list – daily or at change of shift

Items on the check list	Yes	No
Are safety relay, light beam safety device, connecting cables, plugs and command devices undamaged and free of any signs of manipulation?		
Are all point of operations at the machine accessible only through one or more protective fields of light beam safety devices?		
Are all additional protective devices mounted correctly (e.g., safety guard)?		
Does the start/restart interlock prevent the automatic start-up of the machine after the light beam safety device/safety relay has been switched on or activated?		
↪ Interrupt a light beam of the light beam safety device with a test object during operation. Is the dangerous movement shut down immediately?		

## 10 Maintenance

The safety relay is maintenance-free.

## **11 Disposing**

↳ For disposal observe the applicable national regulations regarding electronic components.

## **12 Service and support**

Telephone number for 24-hour standby service:

+49 (0) 7021 573-0

Service hotline:

+49 (0) 8141 5350-111

Monday to Thursday, 8.00 a.m. to 5.00 p.m. (UTC+1)

Friday, 8.00 a.m. to 4.00 p.m. (UTC +1)

E-mail:

[service.protect@leuze.de](mailto:service.protect@leuze.de)

Return address for repairs:

Service Center

Leuze electronic GmbH + Co. KG

In der Braike 1

D-73277 Owen / Germany

**13 Technical data**

Table 13.1: Safety-relevant technical data

Category acc. to EN ISO 13849-1: 2009	4
Performance Level (PL) in accordance with EN ISO 13849-1: 2008	PL e
Category in accordance with EN ISO 13849-1	category 2
Probability of a dangerous failure per hour (PFH <sub>b</sub> )	2.0 x 10 <sup>-8</sup>
Mean time to dangerous failure (MTTF <sub>d</sub> )	73 years
Service life (T <sub>M</sub> )	20 years
B10 <sub>d</sub>	DC 13: 10.0 million switching cycles AC 15: 1.4 million switching cycles
Stop category acc. to EN/IEC 60204-1	Stop 0

Table 13.2: Electrical data, protection rating, environment

Operating voltage U <sub>B</sub>	24 V AC/DC, ±20%
Power consumption	3 W
External safeguarding for supply circuit	200 mA delay-action
Output contacts	3 normal open contacts, 1 normal closed contact (Ag alloy)
Switching capacity of the contacts acc. to EN/IEC 60947-5-1	AC-15: 230 V / 5 A 1.6x10 <sup>5</sup> switching cycles DC-13: 24 V / 3 A 1.3x10 <sup>5</sup> switching cycles
Max. continuous current per current path	3 A
Ext. contact fuse protection per current path	5 A quick-action or 3.15 A delay-action
Max. switching frequency	3600 switching cycles/h
Mechanical life time	10 million switching cycles
Pickup delay, manual start	30 ms
Pickup delay, automatic start	300 ms
Regression delay, response time	10 ms
Max. test pulse acceptance	1 ms
Time window for signal sequence monitoring	20 ms
Control voltage/current on S12, S22, S31	24 V DC / 40 mA
Max. input current	100 mA
Admissible input line resistance	< 30 Ω
Operating temperature	0° ... +55°C
Storage temperature	- 25° ... +70°C
Overvoltage category in accordance with VDE 0110 part 1	III for rating voltage 300 V AC

Dirt level	2
Interference emission	EN 55011, DIN EN 61000-6-3
Interference rejection	EN 61496-1: 2005 type 4
Protection class	Housing IP 40 Terminals IP 20
Permissible wire gauge screw terminals	0.2...2.5 mm <sup>2</sup> (AWG 24-12)
Permissible wire gauge spring-cage terminals	0.2...1.5 mm <sup>2</sup> (AWG 24-16)
Dimensions (H x W x D)	see chapter 13.1 „Dimensions“
Weight	170 g

### 13.1 Dimensions

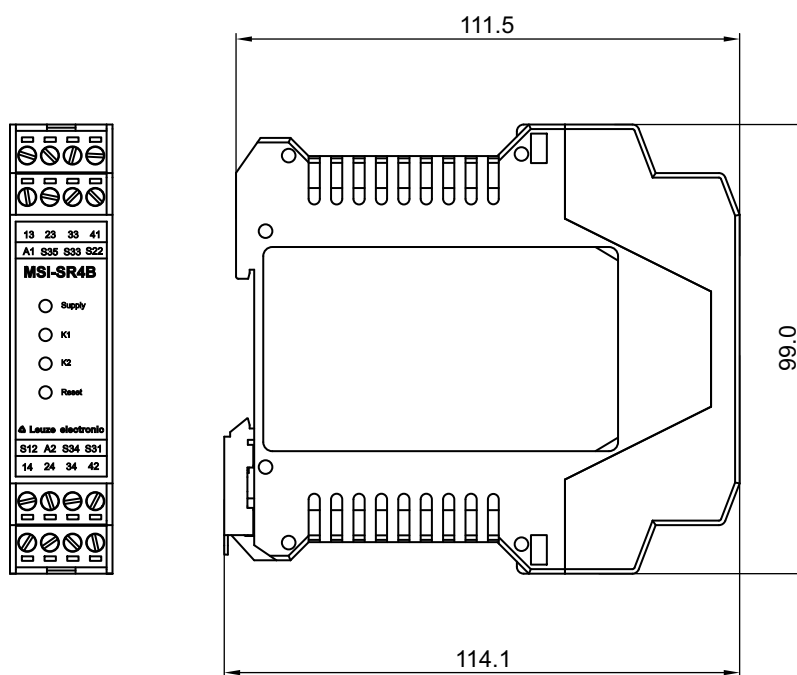


Figure 13.1: Dimensions MSI-SR4B-01



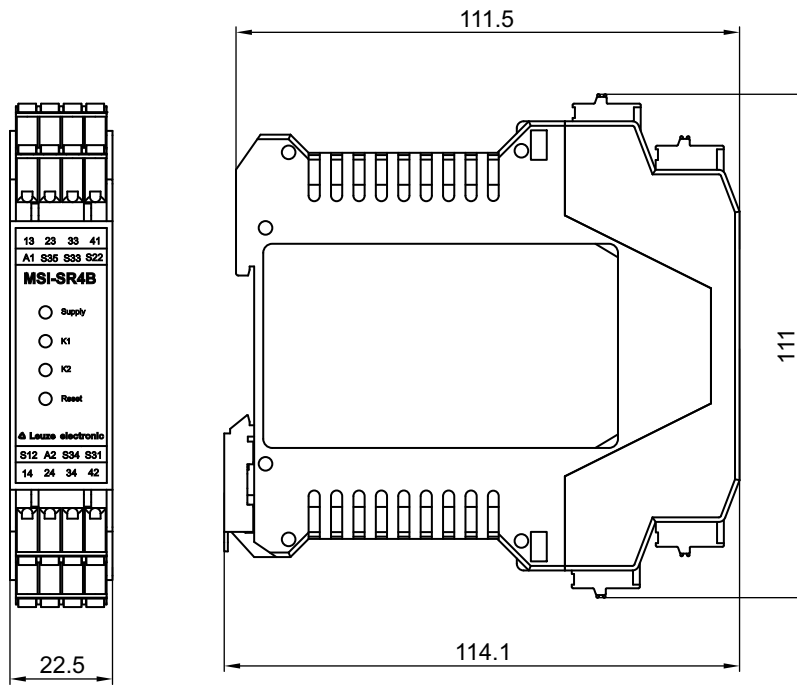


Figure 13.2: Dimensions MSI-SR4B-02

## 14 Order guide

Table 14.1: MSI-SR4B safety relays

Part no.	Article	Description
547950	MSI-SR4B-01	Safety relay, screw terminals
547951	MSI-SR4B-02	Safety relay, spring-cage terminals

**15 EC Declaration of Conformity**



EG-KONFORMITÄTS- ERKLÄRUNG (ORIGINAL)	EC DECLARATION OF CONFORMITY (ORIGINAL)	DECLARATION CE DE CONFORMITE (ORIGINAL)
Der Hersteller	The Manufacturer	Le constructeur
	<b>Leuze electronic GmbH + Co. KG</b> In der Braike 1, PO Box 1111 73277 Owen, Germany	
erklärt, dass die nachfolgend aufgeführten Produkte den einschlägigen Anforderungen der genannten EG-Richtlinien und Normen entsprechen.	declares that the following listed products fulfil the relevant provisions of the mentioned EC Directives and standards.	déclare que les produits identifiés suivants sont conformes aux directives CE et normes mentionnées.
Produktbeschreibung:	Description of product:	Description de produit:
<b>NOT-HALT Schaltgerät MSI-SR4B</b> Sicherheitsbauteil nach 2006/42/EG Anhang IV Seriennummer siehe Typschild	<b>E-STOP relay, MSI-SR4B</b> safety component in acc. with 2006/42/EC annex IV Serial no. see name plates	<b>Module d'ARRÊT D'URGENCE MSI-SR4B</b> Élément de sécurité selon 2006/42/CE annexe IV N° série voir plaques signalétiques
Angewandte EG-Richtlinie(n):	Applied EC Directive(s):	Directive(s) CE appliquées:
<b>2006/42/EG</b> <b>2004/108/EG</b> <b>2006/95/EG</b>	<b>2006/42/EC</b> <b>2004/108/EC</b> <b>2006/95/EC</b>	<b>2006/42/CE</b> <b>2004/108/CE</b> <b>2006/95/CE</b>
Angewandte Normen:	Applied standards:	Normes appliquées:
<b>EN 55011:2007; EN 50178:1997; EN 61496-1:2004/A1 :2008; EN ISO 13849-1:2008 (Kat 4 PLe)</b> <b>IEC 61508-1:2010/-2:2010/-4:2010 (SIL3)</b>		
Benannte Stelle / Baumusterprüfbescheinigung:	Notified Body / Certificate of Type Examination:	Organisme notifié / Attestation d'examen CE de type:
<b>TÜV-SÜD PRODUCT SERVICE GmbH</b> Zertifizierungsstelle Ridlerstraße 65 D-80339 München	/	<b>Z10 09 12 22795 084</b>
Bevollmächtigter für die Zusammenstellung der technischen Unterlagen:	Authorized person to compile the technical file:	Personne autorisée à constituer le dossier technique:
<b>André Thieme; Leuze electronic GmbH + Co. KG</b> <b>Liebigstr. 4; 82256 Fuerstenfeldbruck; Germany</b>		

Owen, 01.10.2013  
Datum / Date / Date



Ulrich Balbach, Geschäftsführer / Director / Directeur

Leuze electronic GmbH + Co. KG  
In der Braike 1  
D-73277 Owen  
Telefon +49 (0) 7021 573-0  
Telefax +49 (0) 7021 573-199  
info@leuze.de  
www.leuze.com

Leuze electronic GmbH + Co. KG, Sitz Owen, Registergericht Stuttgart, HRA 230712  
**Persönlich haftende Gesellschafterin** Leuze electronic Geschäftsführungs-GmbH,  
Sitz Owen, Registergericht Stuttgart, HRB 230550  
**Geschäftsführer:** Ulrich Balbach, Dr. Matthias Kirchherr  
USt-IdNr. DE 145912521 | Zollnummer 2554232  
Es gelten ausschließlich unsere aktuellen Verkaufs- und Lieferbedingungen  
Only our current Terms and Conditions of Sale and Delivery shall apply

Nr. 50124549-2013/10

