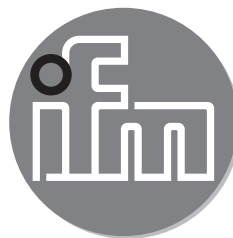


ifm electronic

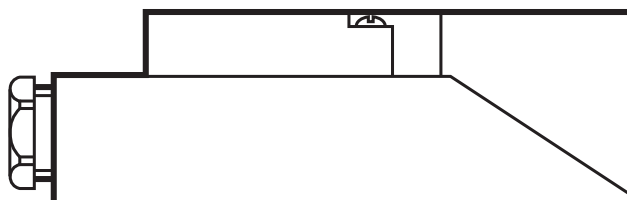


Installation Instructions
Inductive sensor
IME non flush

efector100[®]

UK

704288 / 00 09 / 2007



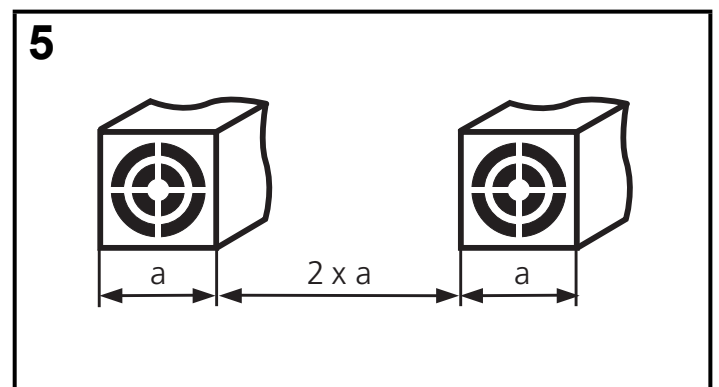
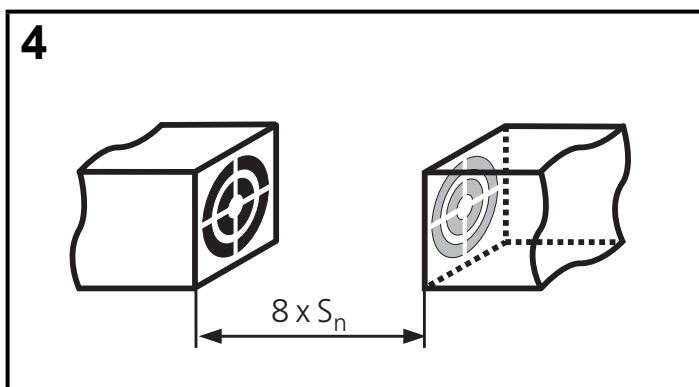
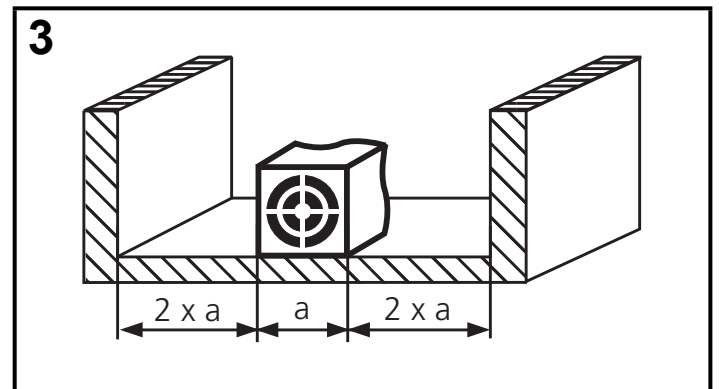
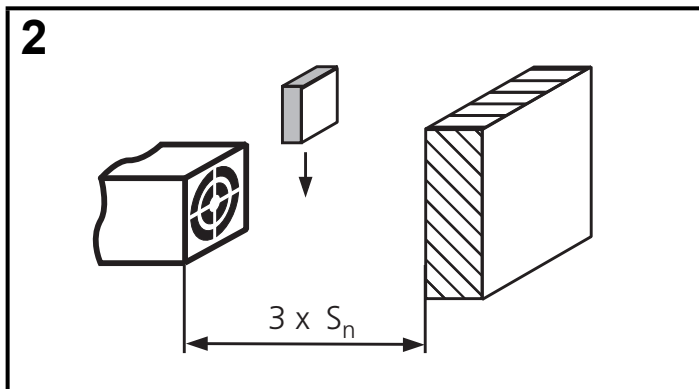
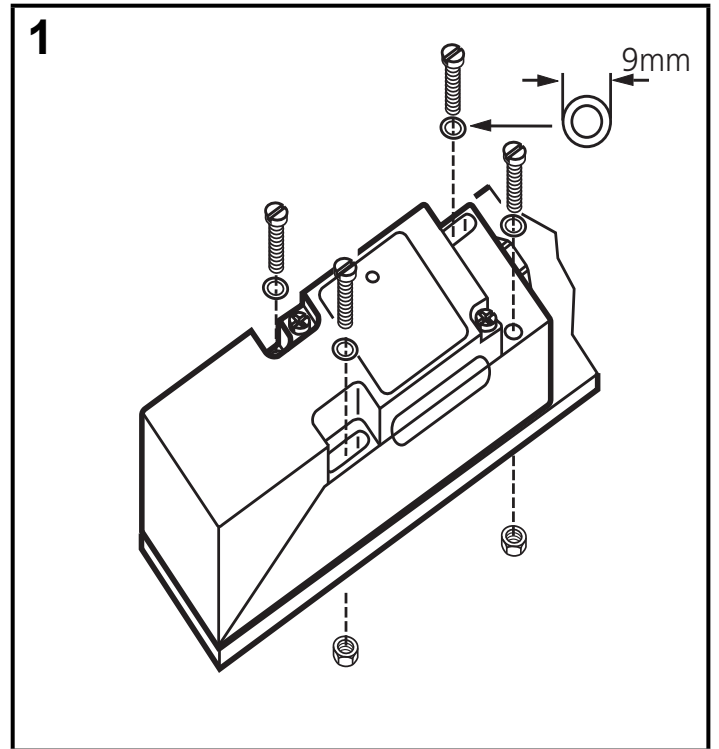
Function and features

This sensor detects metals without contact and indicates their presence by providing a switched signal. The nominal sensing range (S_n) can be seen in the type designation on the type label on the unit; operating distance (S_a) $0 \dots 0,81 \times S_n$; (values based on standard measurement with mild steel; a shorter sensing range for other metals).

Installation

Screw the proximity switch to a firm base. If there is high mechanical stress, ensure that it cannot work loose (fig. 1). Non-flush installation.

- Open space in front of the sensing face when mounted in metal: fig. 2 and 3.
- Minimum distance when several sensors of the same type are mounted: fig. 4 and 5.



Electrical connection

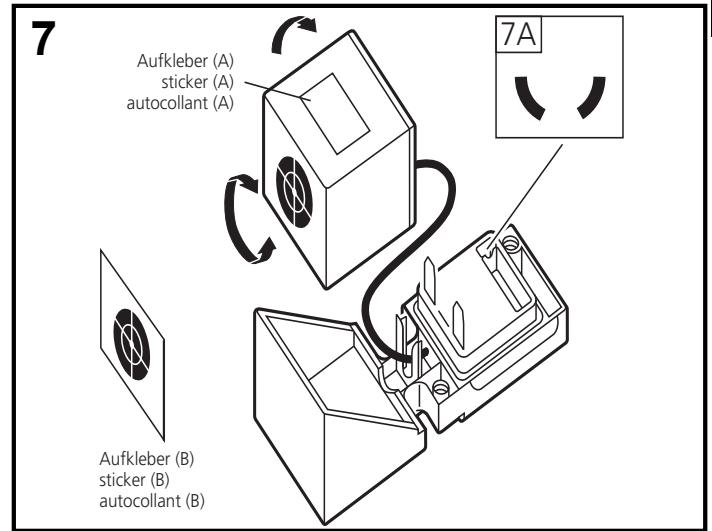
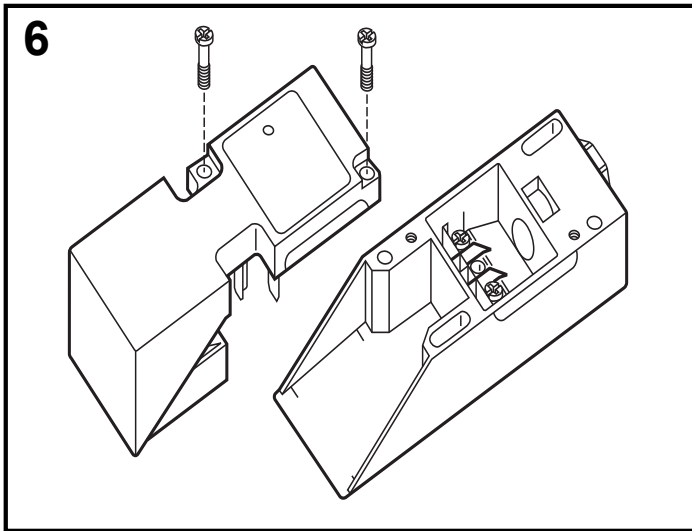


Disconnect power before connecting the sensor. Open the sensor (fig. 6); connect cable in accordance with the instructions on the type label.

Note: insert a miniature fuse according to the technical data sheet, if specified.
Recommendation: check the unit for reliable function after a short circuit.

Programming of the output function:

Units which are not programmed by means of connections are provided in N.O. Open the wire link for programming the N.C. function (fig. 7A).



UK

Alignment of the sensing face

Remove the sensor cube (fig. 7); align sensing face and re-insert the sensor cube. When the sensor is mounted on a metal surface, the face of the cube marked by a sticker (A) must point to this metal surface.

When the sensor has been screwed together, position the marking sticker provided on the outer surface of the sensor unit so that the sensing face is marked.

Operation

Check the safe functioning of the sensor: The LED is lit when the supply voltage is applied.

The operation of the sensor is maintenance free. For perfect functioning make sure that:

- the sensing face and the open space are kept free of metal deposits and foreign bodies, particularly for installation with the sensing face facing upwards.
- EMC: The unit conforms to the requirements of EN 60947-5-2.