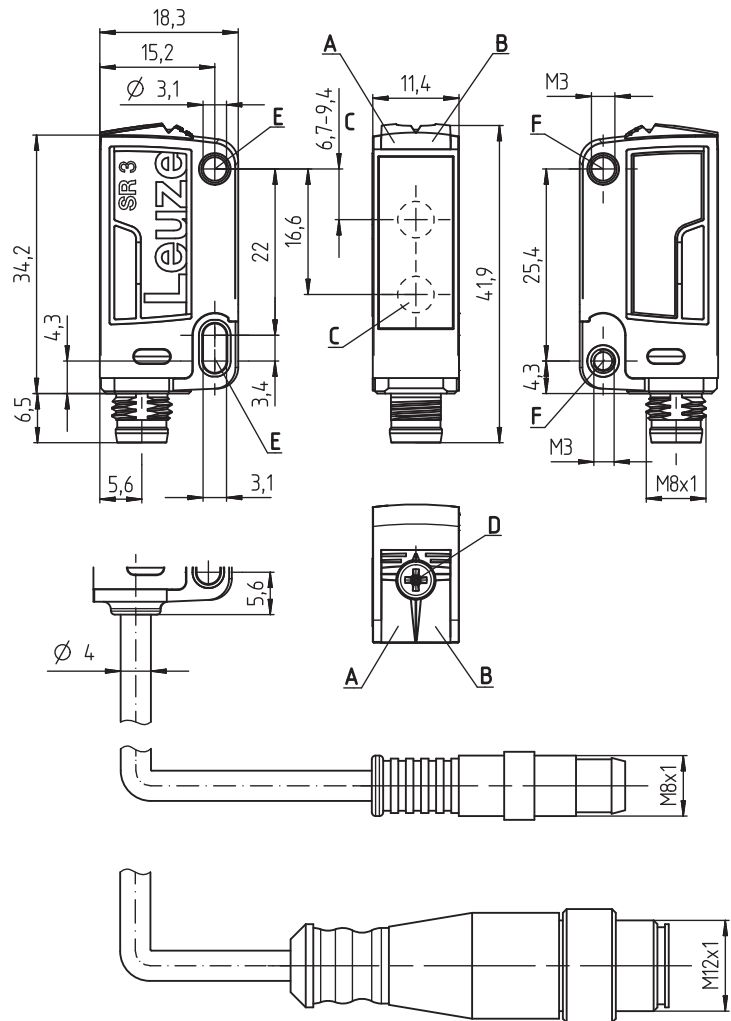


HT3C V Diffuse reflection sensor with V-optics and background suppression

en 01-2016/06 50130053



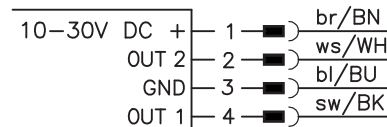
Dimensioned drawing



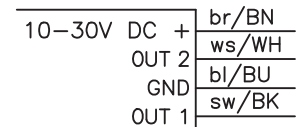
- A Green indicator diode
- B Yellow indicator diode
- C Optical axis
- D 8-turn potentiometer for scanning range adjustment
- E Mounting sleeve (standard)
- F Threaded sleeve (HT3C....B...)

Electrical connection

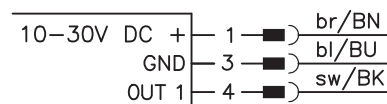
Connector, 4-pin



Cable, 4 wires



Connector, 3-pin



15 ... 150mm
100mm with
black-white error < 10%



- Diffuse reflection sensor with visible red light, V-optics and adjustable background suppression
- Due to the V-optics, it is particularly well-suited for detecting very shiny or polished surfaces as well as for transparent objects in a range of 30 ... 70mm
- Very good black/white behavior and precise background suppression
- Small and compact construction with robust plastic housing, degrees of protection IP 67 and IP 69K, tested in accordance with Ecolab for industrial application
- High switching frequency for detection of fast events
- **NEW:** Housing variant with two integrated M3 metal threaded sleeves
- **NEW:** Housing variant with integrated slotted-hole mounting sleeve made of metal



Accessories:

(available separately)

- Mounting systems (BT ...)
- Cable with M8 or M12 connector (K-D ...)

We reserve the right to make changes • DS_HT3C_V_en_50130053.fm

Technical data

Optical data

Scanning range ¹⁾	15 ... 150mm
Adjustment range ¹⁾	20 ... 150mm
Recommended working range	30 ... 70mm
Black-white error	< 10% up to 100mm
Light beam exit angle	typ. 11°
Light beam characteristic	focussed at 150mm
Light source ²⁾	LED (modulated light)
Wavelength	633nm (visible red light)

Timing

Switching frequency	1,000Hz
Response time	0.5?ms ³⁾
Response jitter	166µs
Readiness delay	≤ 300ms (acc. to. IEC 60947-5-2)

Electrical data

Operating voltage U_B ⁴⁾	10 ... 30VDC (incl. residual ripple)
Residual ripple	≤ 15% of U_B
Open-circuit current	≤ 15mA
Switching output	see part number code on page 3
Function	light/dark switching, see part number code on page 3
Signal voltage high/low	≥ ($U_B - 2V$)/≤ 2V
Output current	max. 100mA ⁵⁾
Scanning range	adjustable via 8-turn potentiometer

Indicators

Green LED ⁶⁾	ready
Yellow LED	object detected - reflection

Mechanical data

Housing	plastic (high-strength PC-ABS); 2x diecast zinc mounting sleeves or 2x M3 brass threaded sleeves
Optics cover	plastic (PMMA)
Weight	with connector: 10g with 200mm cable and connector: 20g with 2m cable: 50g
Connection type	cable 2m (cross section 4x0.20mm ²), connector M8, metal, cable 0.2m with connector M8 or M12

Environmental data

Ambient temp. (operation/storage)	-40°C ... +60°C/-40°C ... +70°C
Protective circuit ⁷⁾	2, 3
VDE safety class	III
Degree of protection	IP 67 IP 69K
Light source	exempt group (in acc. with EN 62471)
Standards applied	IEC 60947-5-2
Certifications	UL 508, CSA C22.2 No.14-13 ^{4) 8)}

- 1) Scanning range: recommended scanning range for objects with different diffuse reflection
- 2) Average life expectancy 100,000h at an ambient temperature of 25°C
- 3) For short decay times, an ohmic load of approx. 5kOhm is recommended
- 4) For UL applications: use is permitted exclusively in Class 2 circuits according to NEC
- 5) Sum of the output currents for both outputs, 50mA for ambient temperatures > 40°C
- 6) Not with Economy version
- 7) 2=polarity reversal protection, 3=short circuit protection for all transistor outputs
- 8) These proximity switches shall be used with UL Listed Cable assemblies rated 30V, 0.5A min, in the field installation, or equivalent (categories: CYJV/CYJV7 or PVVA/PVVA7)

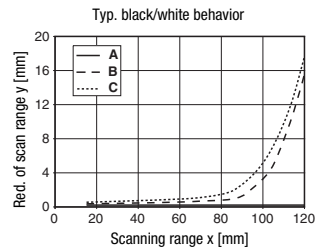
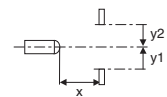
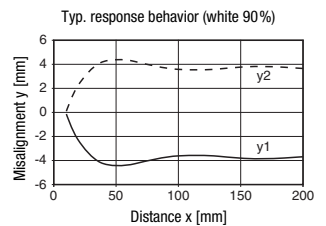
Tables

1	15	150
2	15	130
3	15	110

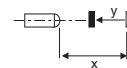
1	white 90%
2	gray 18%
3	black 6%

Scanning range [mm]

Diagrams



- A white 90%
- B gray 18%
- C black 6%



Notes

Observe intended use!

- ☞ This product is not a safety sensor and is not intended as personnel protection.
- ☞ The product may only be put into operation by competent persons.
- ☞ Only use the product in accordance with its intended use.

HT3C V Diffuse reflection sensor with V-optics and background suppression

Part number code

H T 3 C - X X X X . / 4 P - 2 0 0 - S 1 2

Operating principle	
HT	Diffuse reflection sensor with background suppression
Construction/version	
3C	SR3C series
Light type	
N/A	Red light
I	Infrared light
Radiation source	
N/A	LED
Pre-set scanning range (optional)	
XXXX	Pre-set scanning range [mm]
Equipment	
N/A	Standard
B	Housing model with two M3 threaded sleeves (brass)
S	Small light spot
L	Long light spot
XL	Extra long light spot
V	V-optics
F	Permanently set scanning range
Scanning range adjustment	
N/A	Scanning range adjustable via 8-turn potentiometer
1	270° potentiometer
Switching output/function OUT 1/IN: Pin 4 or black conductor	
2	NPN transistor output, light switching
N	NPN transistor output, dark switching
4	PNP transistor output, light switching
P	PNP transistor output, dark switching
X	not connected (n. c.)
Switching output/function OUT 2/IN: Pin 2 or white conductor	
2	NPN transistor output, light switching
N	NPN transistor output, dark switching
4	PNP transistor output, light switching
P	PNP transistor output, dark switching
X	Not connected (n. c.)
Electrical connection	
N/A	Cable, PVC, standard length 2000mm, 4-wire
M8	M8 connector, 4-pin (plug)
M8.3	M8 connector, 3-pin (plug)
200-M8	Cable, PVC, length 200mm with M8 connector, 4-pin, axial (plug)
200-M8.3	Cable, PVC, length 200mm with M8 connector, 3-pin, axial (plug)
200-M12	Cable, PVC, length 200mm with M12 connector, 4-pin, axial (plug)

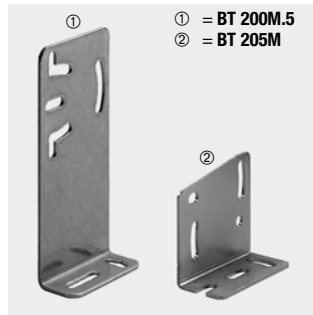
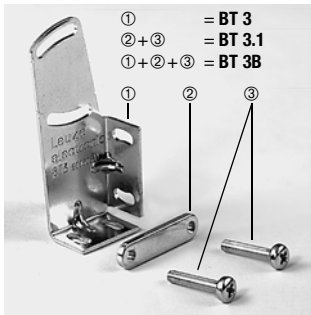
Order guide

The sensors listed here are preferred types; current information at www.leuze.com

Sensors with through-holes		Sensors with threaded sleeves		Accessories mounting systems	
Order code	Part no.	Order code	Part no.	Order code	Part no.
HT3C.V/4P-M8	50129387	HT3C.BV/4P-M8	50133610	For sensors with through-holes:	
HT3C.V/4P	50129388	HT3C.BV/4P	50133611	BT 3	50060511
HT3C.V/4P-200-M12	50129389	HT3C.BV/4P-200-M12	50133612	BT 3.1 ¹⁾	50105585
HT3C.V/4P-200-M8	50129390	HT3C.BV/4P-200-M8	50133613	BT 3B	50105546
				For sensors with threaded sleeves:	
				BT 200M.5	50118542
				BT 205M ¹⁾	50124651
				BTU 200M-D10	50117256
				BTU 200M-D12	50117255
				BTU 200M.5-D12	50120426
				BTU 200M-D14	50117254

1) Packaging unit: PU = 10 pcs.

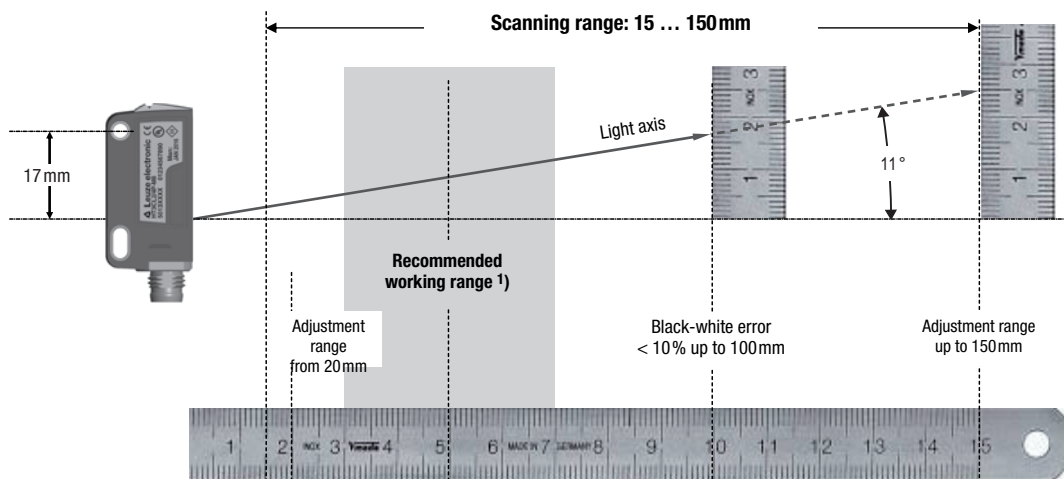
Mounting systems



Application notes



- The sensor must be positioned perpendicularly and parallel to the object.
- Objects should only be moved in laterally from the right or left. Moving in objects from the connector side or operating side is not permitted.



1) The sensor is most capable of reliably detecting a reflective surface or transparent object in the recommended working range. Nevertheless, the sensor can reliably detect such objects in the entire scanning range; however, the function reserve is reduced as compared with the recommended working range.



- Outside of the scanning range, the sensor operates as an energetic diffuse reflection sensor. Light objects can still be reliably detected up to the scanning range limit.
- The sensors are equipped with effective measures for the maximum avoidance of mutual interference should they be mounted opposite one another. Opposite mounting of multiple sensors of the same type should, however, absolutely be avoided.