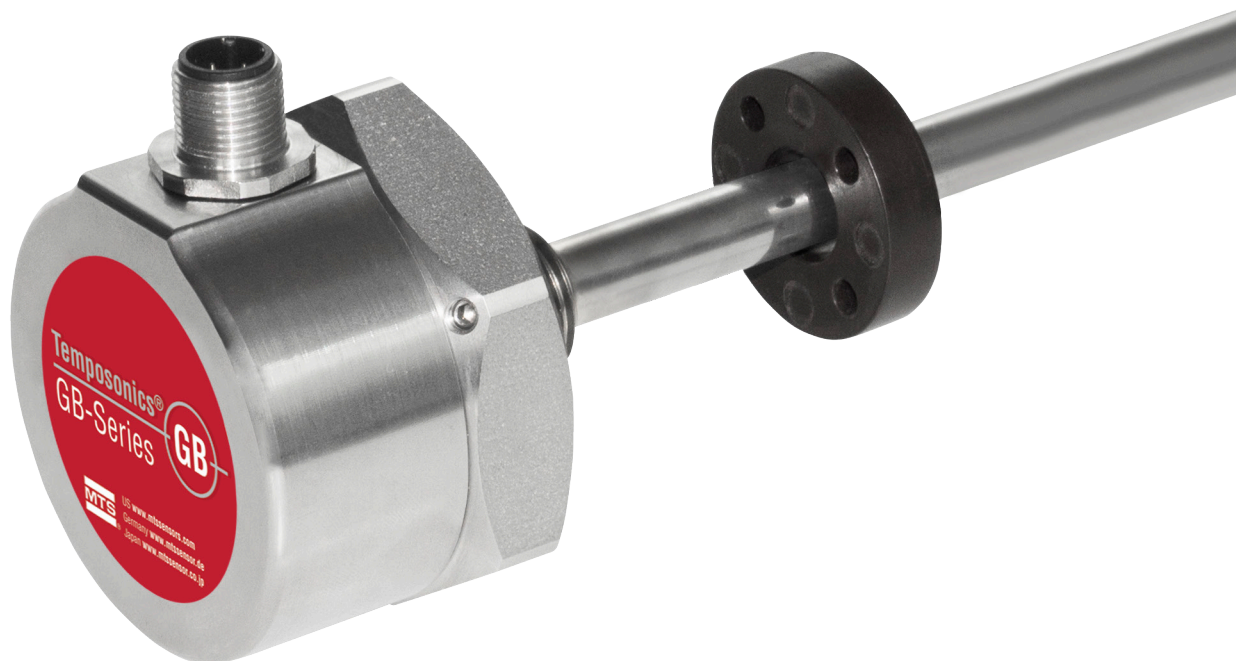


Temposonics®

Magnetostrictive Linear Position Sensors

GB-M / GB-T Analog Data Sheet

- Sensor element and electronics can be changed
- Flat & compact sensor electronics housing
- Electrical connection is freely rotatable



MEASURING TECHNOLOGY

The absolute, linear position sensors provided by MTS Sensors rely on the company's proprietary Temposonics® magnetostrictive technology, which can determine position with a high level of precision and robustness. Each Temposonics® position sensor consists of a ferromagnetic waveguide, a position magnet, a strain pulse converter and supporting electronics. The magnet, connected to the object in motion in the application, generates a magnetic field at its location on the waveguide. A short current pulse is applied to the waveguide. This creates a momentary radial magnetic field and torsional strain on the waveguide. The momentary interaction of the magnetic fields releases a torsional strain pulse that propagates the length of the waveguide. When the ultrasonic wave reaches the end of the waveguide it is converted into an electrical signal. Since the speed of the ultrasonic wave in the waveguide is precisely known, the time required to receive the return signal can be converted into a linear position measurement with both high accuracy and repeatability.

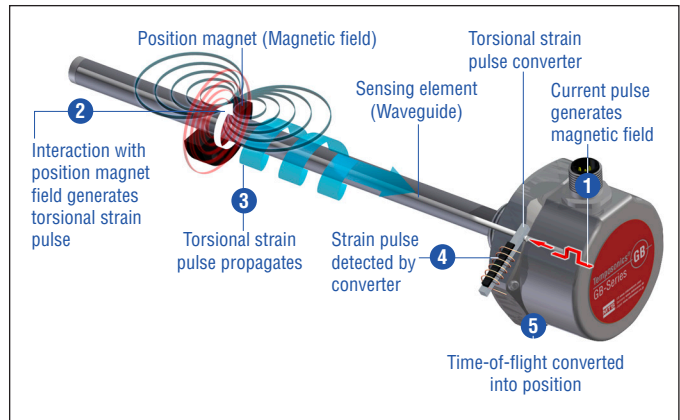


Fig. 1: Time-of-flight based magnetostrictive position sensing principle

GB-M / GB-T SENSOR

Robust, non-contact and wear free, the Temposonics® linear position sensors provide the best durability and accurate position measurement solutions in harsh industrial environments. The position measurement accuracy is tightly controlled by the quality of the waveguide which is manufactured by MTS Sensors. The position magnet is mounted on the moving machine part and travels non-contact over the sensor rod with the built-in waveguide.

The GB-M / GB-T is an extension of the GB-Series. Its compact housing can be easily mounted, even if there is only limited space. Due to the high temperature resistance, no measures for cooling the sensor have to be taken – saving you time and work. Further advantages of the GB-M / GB-T sensor are:



TURN ME.

The sensor electronics housing with its electrical connection can be rotated 360 degrees after mounting to easily achieve the necessary connection orientation.

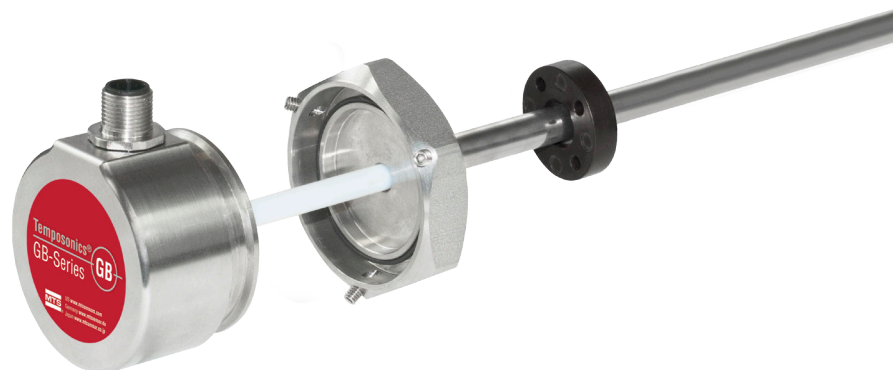


REPLACE ME.

If needed, the sensor element and electronics can be replaced without interrupting the hydraulic circuit – resulting in lower maintenance costs and reduced downtime.

PROGRAM ME.

The start position and end position of the measurement range are programmable, e.g. via programming kit, allowing users to adjust to meet the application requirements.



TECHNICAL DATA

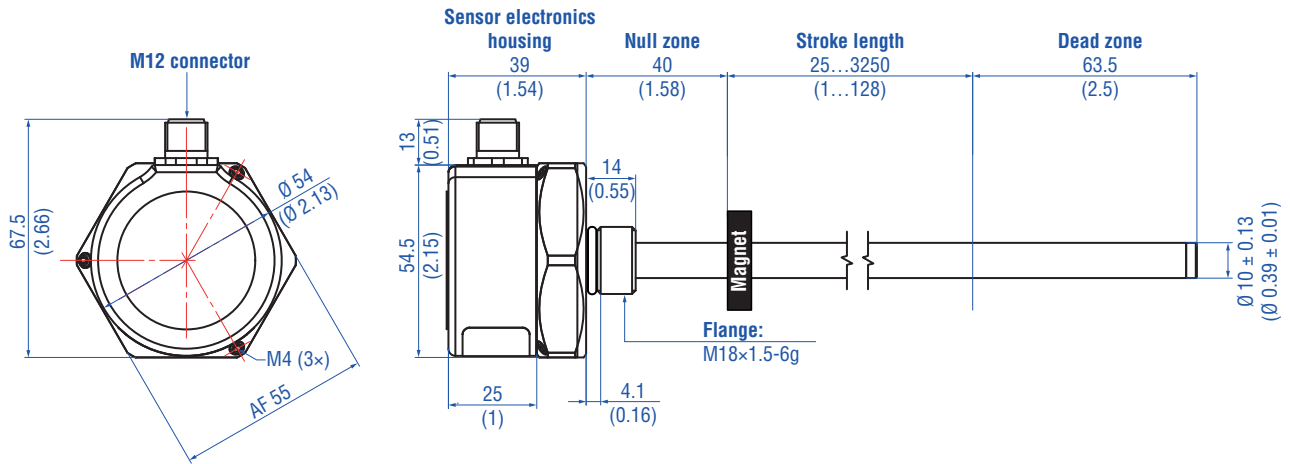
Output	
Voltage	0...10 VDC and 10...0 VDC (min. load controller: > 5 kΩ)
Current	4(0)...20 mA or 20...4(0) mA (min. / max. load: 0 / 500 Ω)
Programming	Programming of set points using optional accessories ¹
Bluetooth® version	2.1
Measured value	Position
Measurement parameters	
Resolution	16 bit (minimum 1 μm depending on stroke length)
Cycle time	≤ 1200 mm: 0.5 ms ≤ 2400 mm: 1.0 ms > 2400 mm: 2.0 ms
Linearity	≤ ±0.02 % F.S. (minimum ±60 μm) typically
Repeatability	≤ ±0.005 % F.S. (minimum ±20 μm) typically
Operating conditions	
Operating temperature	-40...+90 °C (-40...+194 °F), option: -40...+100 °C (-40...+212 °F)
Ingress protection	IP67 with proper mating connector IP68 for cable outlet
Shock test	100 g (single shock) / IEC standard 60068-2-27
Vibration test	15 g / 10...2000 Hz, IEC standard 60068-2-6 (resonance frequencies excluded)
EMC test	Electromagnetic emission according to EN 61000-6-4 Electromagnetic immunity according to EN 61000-6-2 The sensor meets the requirements of the EC directives and is marked with CE .
Magnet movement velocity	Any
Design/Material	
Sensor electronics housing ²	Stainless steel 1.4305 (AISI 303)
Sensor rod	Stainless steel 1.4306; 1.4307 (AISI 304L)
Stroke length	25...3250 mm (1...128 in.)
Operating pressure	350 bar (5076 psi), 700 bar (10153 psi) peak (at 10 × 1 min)
Mechanical mounting	
Mounting position	Any
Mounting instruction	Please consult the technical drawings and the operation manual (document number: 551511)
Electrical connection	
Connection type	M12 (5 pin) male connector A-coded M16 (6 pin) male connector Cable outlet
Operating voltage	+24 VDC (-15 / +20 %)
Ripple	≤ 0.28 V _{pp}
Current consumption	100 mA typically dependent on stroke length
Dielectric strength	500 VDC (DC ground to machine ground)
Polarity protection	Up to -30 VDC
Overvoltage protection	Up to 36 VDC

¹ Programming via Bluetooth wireless technology is disabled from operating temperature typically > +55 °C (> +131 °F)

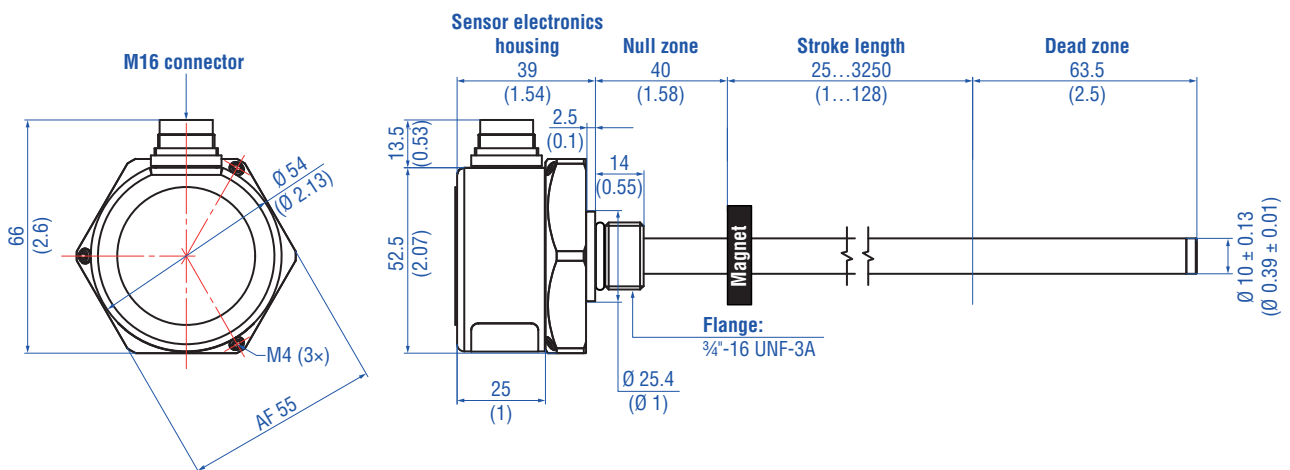
² For option **H** (-40...+100 °C / -40...+212 °F) and option **W** (programming via Bluetooth wireless technology) an aluminum cover plate is used

TECHNICAL DRAWING

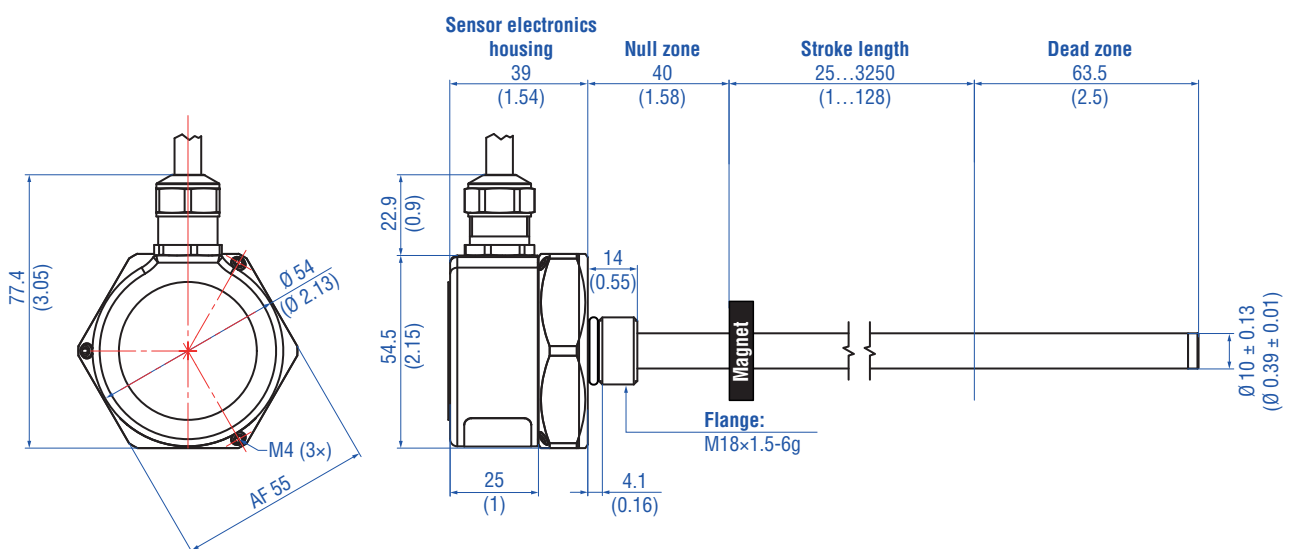
M12 connector (Example: With flat-faced flange)



M16 connector (Example: With raised-faced flange)




Cable outlet (Example: With flat-faced flange)




Controlling design dimensions are in millimeters and measurements in () are in inches
Unless otherwise stated, apply to the general tolerances according to DIN ISO 2768-m

CONNECTOR WIRING

M12 connector

D34	Pin	Voltage	Current
	1	+24 VDC (-15 / +20 %)	+24 VDC (-15 / +20 %)
	2	0...10 VDC	4(0)...20 mA or 20... 4(0) mA
	3	DC Ground (0 V)	DC Ground (0 V)
	4	10...0 VDC	Not connected ³
	5	DC Ground	DC Ground

M16 connector

D60	Pin	Voltage	Current
	1	0...10 VDC	4(0)...20 mA or 20... 4(0) mA
	2	DC Ground	DC Ground
	3	10...0 VDC	Not connected ³
	4	DC Ground	DC Ground
	5	+24 VDC (-15 / +20 %)	+24 VDC (-15 / +20 %)
	6	DC Ground (0 V)	DC Ground (0 V)

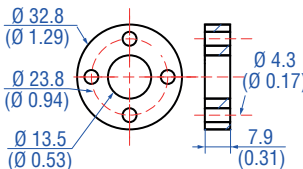
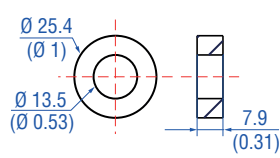
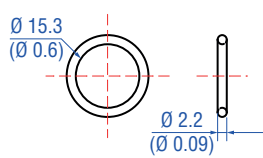
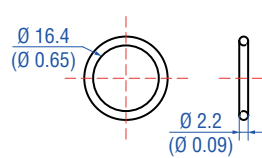
Cable outlet

Cable	Voltage	Current
GY	0...10 VDC	4(0)...20 mA or 20... 4(0) mA
PK	DC Ground	DC Ground
YE	10...0 VDC	Not connected ³
GN	DC Ground	DC Ground
BN	+24 VDC (-15 / +20 %)	+24 VDC (-15 / +20 %)
WH	DC Ground (0 V)	DC Ground (0 V)

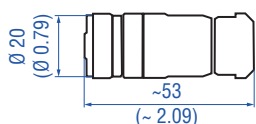
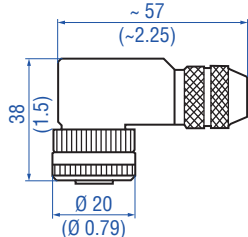
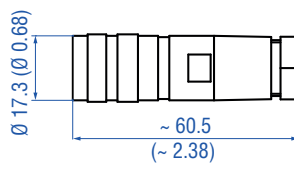
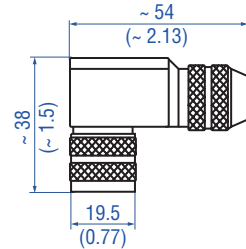
³/ Connection necessary for programming with hand or cabinet programmer

FREQUENTLY ORDERED ACCESSORIES – Additional options available in our [Accessories Guide](#)  [551444](#)

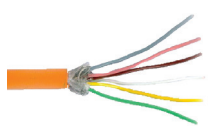
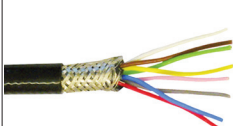

Position magnets **Optional installation hardware**

			
<p>Standard ring magnet Part no. 201 542-2</p>	<p>Ring magnet OD25.4 Part no. 400 533</p>	<p>O-ring Part no. 401 133</p>	<p>O-ring Part no. 560 315</p>
<p>Material: PA ferrite GF20 Weight: Ca. 14 g Operating temperature: -40...+105 °C (-40...+221 °F) Surface pressure: Max. 40 N/mm² Fastening torque for M4 screws: 1 Nm</p>	<p>Material: PA ferrite Weight: Ca. 10 g Operating temperature: -40...+105 °C (-40...+221 °F) Surface pressure: Max. 40 N/mm²</p>	<p>Material: Fluoroelastomer 75 ± 5 durometer Application: Flange M18×1.5</p>	<p>Material: Fluoroelastomer 75 ± 5 durometer Application: Flange ¾"-16 UNF</p>

Cable connectors⁴

			
<p>M12 (5 pin) female straight Part no. 370 677</p>	<p>M12 (5 pin) female angled Part no. 370 678</p>	<p>M16 (6 pin) female straight Part no. 370 423</p>	<p>M16 (6 pin) female angled Part no. 370 460</p>
<p>Housing: GD-Zn, Ni / IP67 Termination: Screw; max. 0.75 mm² Contact insert: CuZn Cable Ø: 4...8 mm (0.16...0.31 in.) Fastening torque: 0.6 Nm</p>	<p>Housing: GD-Zn, Ni / IP67 Termination: Screw; max. 0.75 mm² Contact insert: CuZn Cable Ø: 5...8 mm (0.2...0.31 in.) Fastening torque: 0.6 Nm</p>	<p>Housing: Zinc nickel plated Termination: Solder Contact insert: Silver plated Cable clamp: PG9 Cable Ø: 6...8 mm (0.24...0.32 in.) Fastening torque: 0.6 Nm</p>	<p>Housing: Zinc nickel plated Termination: Solder Contact insert: Silver plated Cable Ø: 6...8 mm (0.24...0.32 in.) Fastening torque: 0.6 Nm</p>

Cables **Programming tools**

			<p>Analog hand programmer Part no. 253 124</p>
<p>Cable Part no. 530 052</p>	<p>Cable Part no. 530 112</p>	<p>Cable Part no. 530 113</p>	<p>Analog cabinet programmer Part no. 253 408</p>
<p>Dimensions: 3 × 2 × 0.25 mm² Cable Ø: 6.4 mm (0.25 in.) Material: PUR jacket; orange Operating temperature: -30...+80 °C (-22...+176 °F) Twisted pair shielded</p>	<p>Dimensions: 4 × 2 × 0.25 mm² Cable Ø: 7.6 mm (0.3 in.) Material: Teflon® jacket; black Operating temperature: -100...+180 °C (-148...+356 °F) Twisted pair shielded</p>	<p>Dimensions: 3 × 2 × 0.25 mm² Cable Ø: 7.2 mm (0.28 in.) Material: Silicone jacket; red Operating temperature: -50...+180 °C (-58...+356 °F) Twisted pair shielded</p>	<p>Programming kit Part no. 254 555</p>

Controlling design dimensions are in millimeters and measurements in () are in inches
4/ Follow the manufacturer's mounting instructions when connecting the connectors

ORDER CODE

1	2	3	4	5	6	7	8	9	10	11	12	13	14	15	16
G	B										1				
a	b	c						d	e	f		g	h		

a	Sensor model
G B	Rod

b	Design
B	Base unit for flange »M« and flange »T«
M	Flat-faced flange, M18×1.5-6g
T	Raised-faced flange, 3/4"-16 UNF-3A

c	Stroke length
X X X X M	0025...3250 mm
X X X X U	001.0...128.0 in.

Standard stroke length (mm) *

Stroke length	Ordering steps
25... 500 mm	5 mm
500... 750 mm	10 mm
750...1000 mm	25 mm
1000...2500 mm	50 mm
2500...3250 mm	100 mm

Standard stroke length (in.) *

Stroke length	Ordering steps
1... 20 in.	0.2 in.
20... 30 in.	0.5 in.
30... 40 in.	1.0 in.
40...100 in.	2.0 in.
100...128 in.	4.0 in.

d	Connection type
D 3 4	M12 (5 pin) male connector
D 6 0	M16 (6 pin) male connector
H X X	PUR cable (part no. 530 052) (suitable for max. operating temperature of +80 °C (+176 °F)) H01...H10 (1...10 m / 3...33 ft) ⁵ See "Frequently ordered accessories" for cable specifications
T X X	Teflon® cable (part no. 530 112) T01...T10 (1...10 m / 3...33 ft) ⁵ See "Frequently ordered accessories" for cable specifications
V X X	Silicone cable (part no. 530 113) V01...V10 (1...10 m / 3...33 ft) ⁵ See "Frequently ordered accessories" for cable specifications


e	Operating voltage
1	+24 VDC (-15 / +20 %)

f	Output
V 0	0...10 VDC and 10...0 VDC
A 0	4...20 mA
A 1	20...4 mA
A 2	0...20 mA
A 3	20...0 mA

g	Operating temperature
H	-40...+100 °C (-40...+212 °F)
S	-40...+90 °C (-40...+194 °F)

h	Programming
C	Via cable
W	Via Bluetooth wireless technology

DELIVERY

	GB-B: Sensor	GB-M / GB-T: Sensor O-ring	Accessories have to be ordered separately.
---	------------------------	---	--

Operation manuals & software are available at:
www.mtssensors.com

* / Non standard stroke lengths are available; must be encoded in 5 mm / 0.1 in. increments
5/ Encode in meters if using metric stroke length. Encode in feet if using US customary stroke length.

Document Part Number:
551838 Revision A (EN) 05/2016

LOCATIONS

USA
MTS Systems Corporation
Sensors Division
3001 Sheldon Drive
Cary, N.C. 27513, USA
Tel. +1 919 677-0100
Fax +1 919 677-0200
info.us@mtssensors.com
www.mtssensors.com

JAPAN
MTS Sensors Technology Corp.
737 Aihara-machi,
Machida-shi,
Tokyo 194-0211, Japan
Tel. +81 42 775-3838
Fax +81 42 775-5512
info.jp@mtssensors.com
www.mtssensors.com

FRANCE
MTS Systems SAS
Zone EUROPARC Bâtiment EXA 16
16/18, rue Eugène Dupuis
94046 Creteil, France
Tel. +33 1 58 4390-28
Fax +33 1 58 4390-03
info.fr@mtssensors.com
www.mtssensors.com

GERMANY
MTS Sensor Technologie
GmbH & Co. KG
Auf dem Schüffel 9
58513 Lüdenscheid, Germany
Tel. +49 2351 9587-0
Fax +49 2351 56491
info.de@mtssensors.com
www.mtssensors.com

CHINA
MTS Sensors
Room 504, Huajing Commercial Center,
No. 188, North Qinzhou Road
200233 Shanghai, China
Tel. +86 21 6485 5800
Fax +86 21 6495 6329
info.cn@mtssensors.com
www.mtssensors.com

ITALY
MTS Systems Srl
Sensor Division
Via Camillo Golgi, 5/7
25064 Gussago (BS), Italy
Tel. +39 030 988 3819
Fax +39 030 982 3359
info.it@mtssensors.com
www.mtssensors.com

LEGAL NOTICES

MTS, Temposonics and Level Plus are registered trademarks of MTS Systems Corporation in the United States; MTS SENSORS and the MTS SENSORS logo are trademarks of MTS Systems Corporation within the United States. These trademarks may be protected in other countries. All other trademarks are the property of their respective owners. Copyright © 2016 MTS Systems Corporation. No license of any intellectual property rights is granted. MTS reserves the right to change the information within this document, change product designs, or withdraw products from availability for purchase without notice. Typographic and graphics errors or omissions are unintentional and subject to correction. Visit www.mtssensors.com for the latest product information.

ISO 9001
CERTIFIED



Reg.-No. 003095-QM08

