

ifm electronic



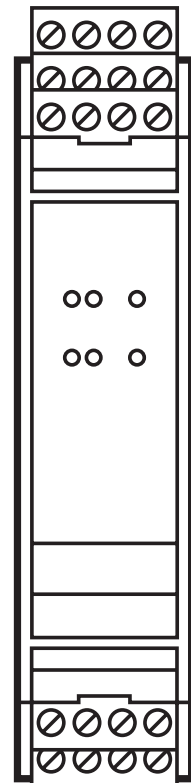
Original operating instructions
Safety relay with relay outputs

efector100[®]

G1501S

UK

80236317 / 00 02 / 2016



Contents

1	Preliminary note.....	4
1.1	Symbols used	4
2	Safety instructions	5
3	Items supplied.....	6
4	Functions and features	6
4.1	Requirements for the hardware configuration	7
4.1.1	Product-independent requirements	7
4.1.2	Product-dependent requirements	7
5	Structure and operating principle.....	8
5.1	Indicators and connections	8
5.2	Block diagram	9
6	Installation.....	10
7	Electrical connection.....	10
7.1	Supply voltage	10
7.2	Feedback contacts / monitored or automatic start.....	11
7.3	Output circuit.....	12
8	Connection - Function - Fault diagnosis	13
8.1	Safety relay for fail-safe sensors/switches with 2 PNP outputs.....	14
8.1.1	Connection	14
8.1.2	Function	15
8.1.3	Fault diagnosis	18
8.2	Safety relay for clocked fail-safe sensors	20
8.2.1	Connection	20
8.2.2	Function	23
8.2.3	Fault diagnosis	24
8.3	Relay for two-hand control using electronic sensors/switches	26
8.3.1	Connection	26
8.3.2	Function	27
8.3.3	Fault diagnosis	29
8.4	Relay for two-hand control using mechanical switches with simultaneity monitoring.....	31
8.4.1	Connection	31
8.4.2	Function.....	33

8.4.3 Fault diagnosis	36
8.5 Safety relay for mechanical switches or 2-channel fail-safe sensors/switches with contact output and without simultaneity monitoring	38
8.5.1 Connection	38
8.5.2 Function	39
8.5.3 Fault diagnosis	41
9 Scale drawing	44
10 Technical data	44
11 Tests/approvals	46
12 Terms and abbreviations.....	47

UK

1 Preliminary note

The instructions are part of the unit. They are intended for authorised persons according to the EMC, Low Voltage and Machinery Directives and safety regulations.

The instructions contain information about the correct handling of the product. Read the instructions before use to familiarise yourself with operating conditions, installation and operation.

Adhere to the safety instructions.

1.1 Symbols used

▶ Instructions

> Reaction, result

→ Cross-reference

○ LED off

● LED on

☒ LED flashes

☀ LED flashes quickly



Important note

Non-compliance can result in malfunction or interference.



Information

Supplementary note.

2 Safety instructions

- Follow the operating instructions.
- Improper use may result in malfunctions of the unit. This can lead to personal injury and/or damage to property during operation of the machine. For this reason note all remarks on installation and handling given in these instructions. Also adhere to the safety instructions for the operation of the whole installation.
- In case of non-observance of notes or standards, specially when tampering with and/or modifying the unit, any liability and warranty is excluded.
- The unit must be installed, connected and put into operation by a qualified electrician trained in safety technology.
- The applicable technical standards for the corresponding application must be complied with.
- For installation the requirements according to EN 60204 must be observed.
- In case of malfunction of the unit please contact the manufacturer. Tampering with the unit is not allowed.
- Disconnect the unit externally before handling it. Also disconnect any independently supplied relay load circuits.
- After setup the system has to be subjected to a complete function check.
- Only use the unit under the specified operating conditions (→ 10 Technical data). In case of special operating conditions please contact the manufacturer.
- Use only as described below (→ 4).

3 Items supplied

- 1 G1501S safety relay including 5 Combicon connectors with screw terminals
- 1 copy of the operating instructions safety relay, reference 80236317

If one of the above-mentioned components is missing or damaged, please contact one of the ifm branch offices.

4 Functions and features

The safety relay is a redundant system and suited for use as:

- Safety relay for fail-safe sensors/switches with 2 PNP outputs (e.g. GM701S).
- Safety relay for clocked fail-safe sensors (e.g. GM504S)
- Relay for two-hand control to EN 574 with electronic sensors/switches
- Relay for two-hand control to EN 574 with mechanical switches / safety relay for mechanical switches or 2-channel fail-safe sensors/switches (e.g. ESPE to EN 61496-1) with contact output with simultaneity monitoring
- Safety relay for mechanical switches or 2-channel fail-safe sensors/switches (e.g. non-contact safety devices EN 61496-1) with contact output and without simultaneity monitoring (indefinite simultaneity)



ifm electronic gmbh assumes no liability for the use of units made by external manufacturers.



The safe state is when the output contacts (13-14 or 23-24) are open.

4.1 Requirements for the hardware configuration

The following requirements must be complied with when using the safety relay G1501S:

4.1.1 Product-independent requirements

It must be ensured that the safety requirements of the respective application correspond to the requirements stated in these instructions.

The specified technical data indicated in these instructions must be complied with. The principle of normally closed operation must be applied to all external safety circuits connected to the system.

By taking administrative measures in the application it must be ensured that

- the safety relays type G1501S in operation are subjected to a self-test (switching off) within a period of maximum 1 month (intermittent operation)
- the safety-related relay contacts are protected using a suitable fuse of 3.6 A as short-circuit / overload protection.

The self-test can be carried out by switching the supply voltage off and on or by a safety request.

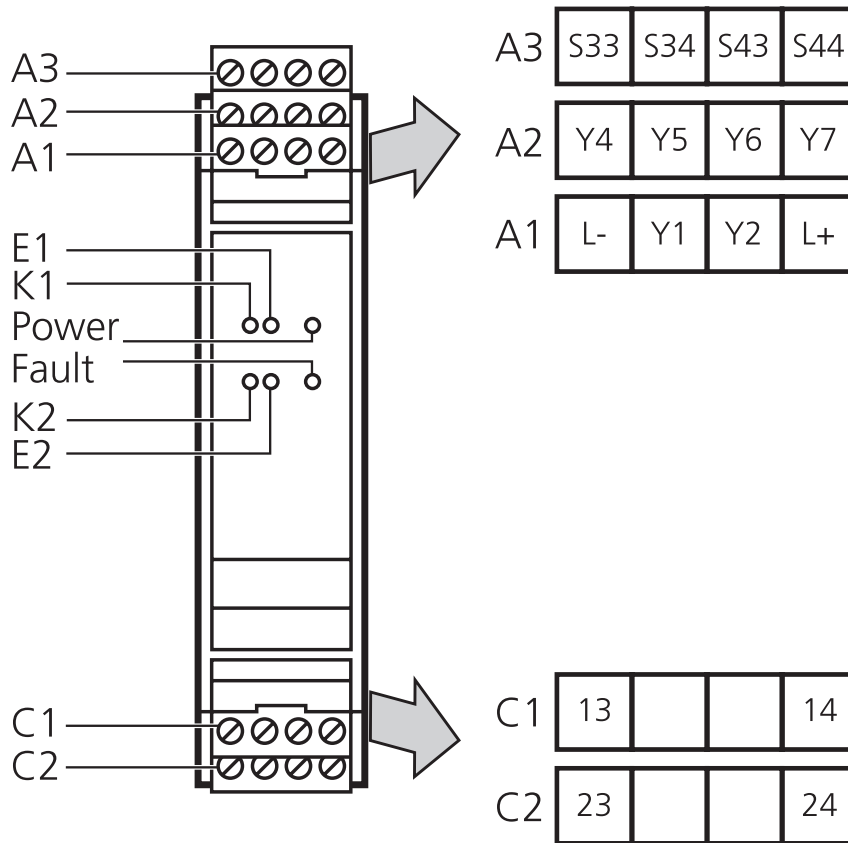
4.1.2 Product-dependent requirements

In case of faults within the safety relay which result in the defined safe state, the safety relay must be replaced.

Any faulty unit should be returned to the manufacturer.

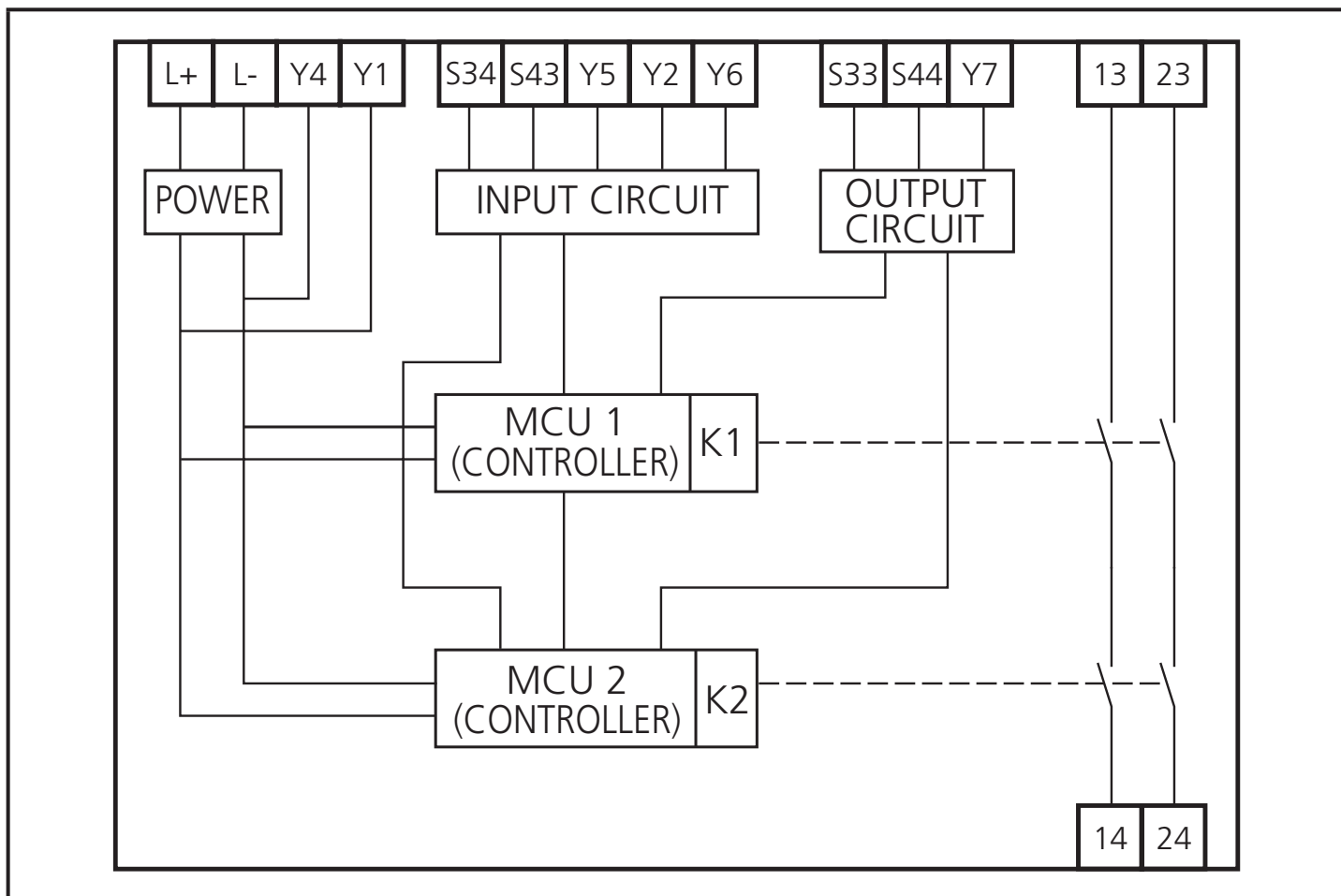
5 Structure and operating principle

5.1 Indicators and connections



A1	Supply voltage (L-, L+), function terminals (Y1, Y2)
A2	Y4, Y5, Y6, Y7: Operating mode selection, auxiliary output
A3	S33, S34, S43, S44: Connection for safety inputs / outputs
K1	LED yellow: Triggering of the relay output channel 1
K2	LED yellow: Triggering of the relay output channel 2
E1	LED yellow: Input signal channel 1 or TE (for clocked sensor)
E2	LED yellow: Input signal channel 2 or A (for clocked sensor)
Power	LED green: Voltage supply
Fault	LED red: Fault/start-up
C1	13, 14: Connection of relay output without delay, 1 x normally open (closed when enabled)
C2	23, 24: Connection of relay output, 1 x normally open (closed when enabled)

5.2 Block diagram



UK

6 Installation

- ▶ Mount the unit on a DIN rail in a housing protected against dust and humidity (min. IP54 - degree of soiling 2).

7 Electrical connection

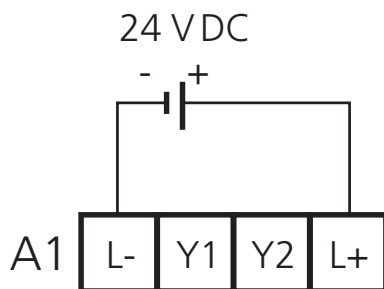
- ▶ Use 60/75°C copper conductors only.

7.1 Supply voltage

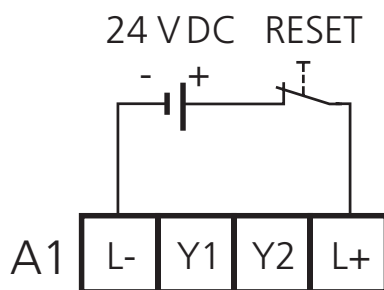


The external supply unit must have a safe separation. In case of a fault the voltage can exceed the value of 60 V DC for a maximum of 200 ms, but must not exceed the value of 120 V DC.

▶ Connect supply voltage



Manual reset

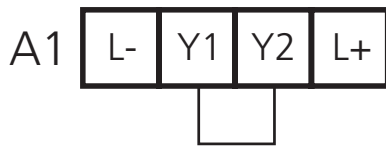


For safety reasons the unit can only be restarted by separation from the supply voltage in case of a fault. It is thus recommended to install a RESET switch in series with the L+ circuit.

After power on or a RESET the unit carries out self diagnostic functions. After this self diagnosis the unit is ready for operation.

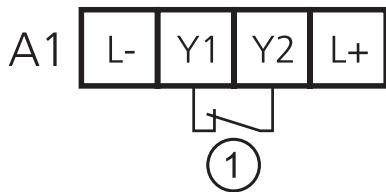
7.2 Feedback contacts / monitored or automatic start

Automatic start



Automatic activation without monitoring.

Monitoring of the feedback contacts (normally closed) for automatic start

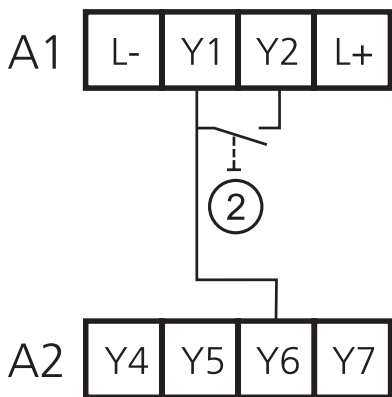


The circuit is enabled when the feedback contacts are closed.

Consider the current flowing through the feedback contacts (→ 10 Technical data).

1: Feedback contact

Monitored start



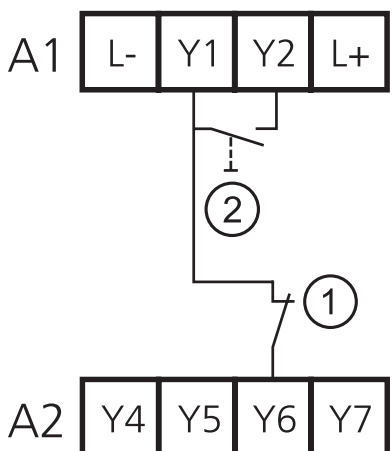
Activate the relay outputs:

► Press and release the start button (> 50 ms).

This function is not active when used as two-hand control.

2: Start button

Monitoring of the feedback contacts (normally closed) for monitored start



Activate the relay outputs:

Feedback contacts are closed

► Press and release the start button (> 50 ms).

This function is not active when used as two-hand control.

Consider the current flowing through the feedback contacts (→ 10 Technical data).

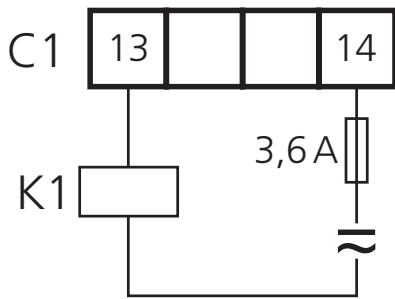
1: Feedback contact

2: Start button

UK

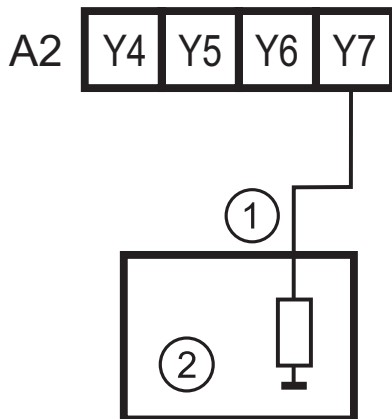
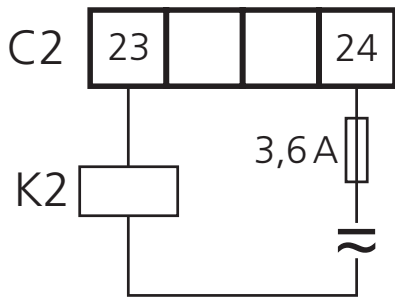
7.3 Output circuit

Connect the load



Connect the load to be controlled to the outputs C1 (13-14) or C2 (23-24).

Adhere to the maximum and minimum load conditions (→ 10 Technical data).



Output Y7 provides a non-safety related signal for communication to a plc. The signal corresponds to that triggering the relays at the outputs 13/14 and 23/24. The output data is compatible with the input data of the current-sinking inputs of type 1, 2, 3 to EN 61131-2.

- 1: Input
- 2: PLC

8 Connection - Function - Fault diagnosis

The safety relay can be connected or used in different ways:

1. Safety relay for fail-safe sensors/switches with 2 PNP outputs (e.g. GM701S).
2. Safety relay for clocked fail-safe sensors (e.g. GM504S)
3. Relay for two-hand control to EN 574 with electronic sensors/switches.
4. Relay for two-hand control to EN 574 with mechanical switches / safety relay for mechanical switches or 2-channel fail-safe sensors/switches (e.g. ESPE to EN 61496-1) with contact output with simultaneity monitoring.
5. Safety relay for mechanical switches or 2-channel fail-safe sensors/switches (e.g. non-contact safety devices EN 61496-1) with contact output and without simultaneity monitoring (indefinite simultaneity).

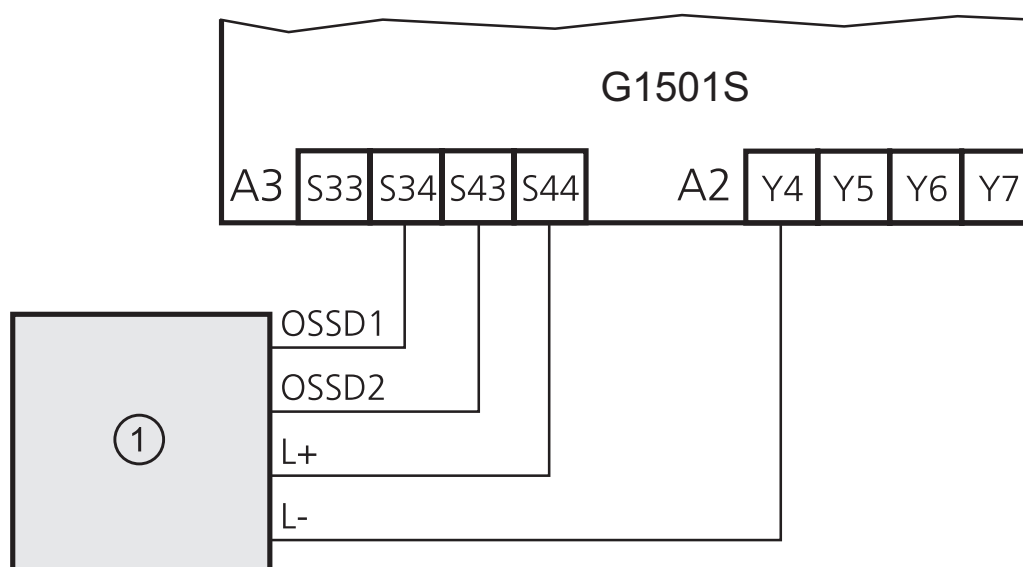
8.1 Safety relay for fail-safe sensors/switches with 2 PNP outputs

Example of fail-safe sensors/switches:

- Fail-safe inductive sensor GM701S
- Light barrier
- Light curtain (ESPE to EN 61496-1)
- Laser scanner

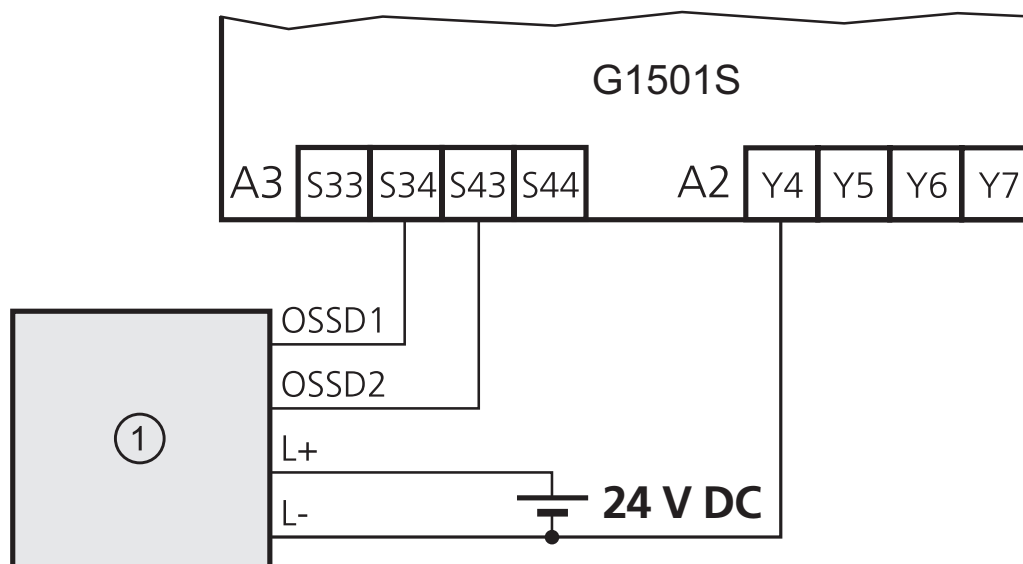
8.1.1 Connection

Fail-safe sensor/switch with a current consumption of ≤ 50 mA:



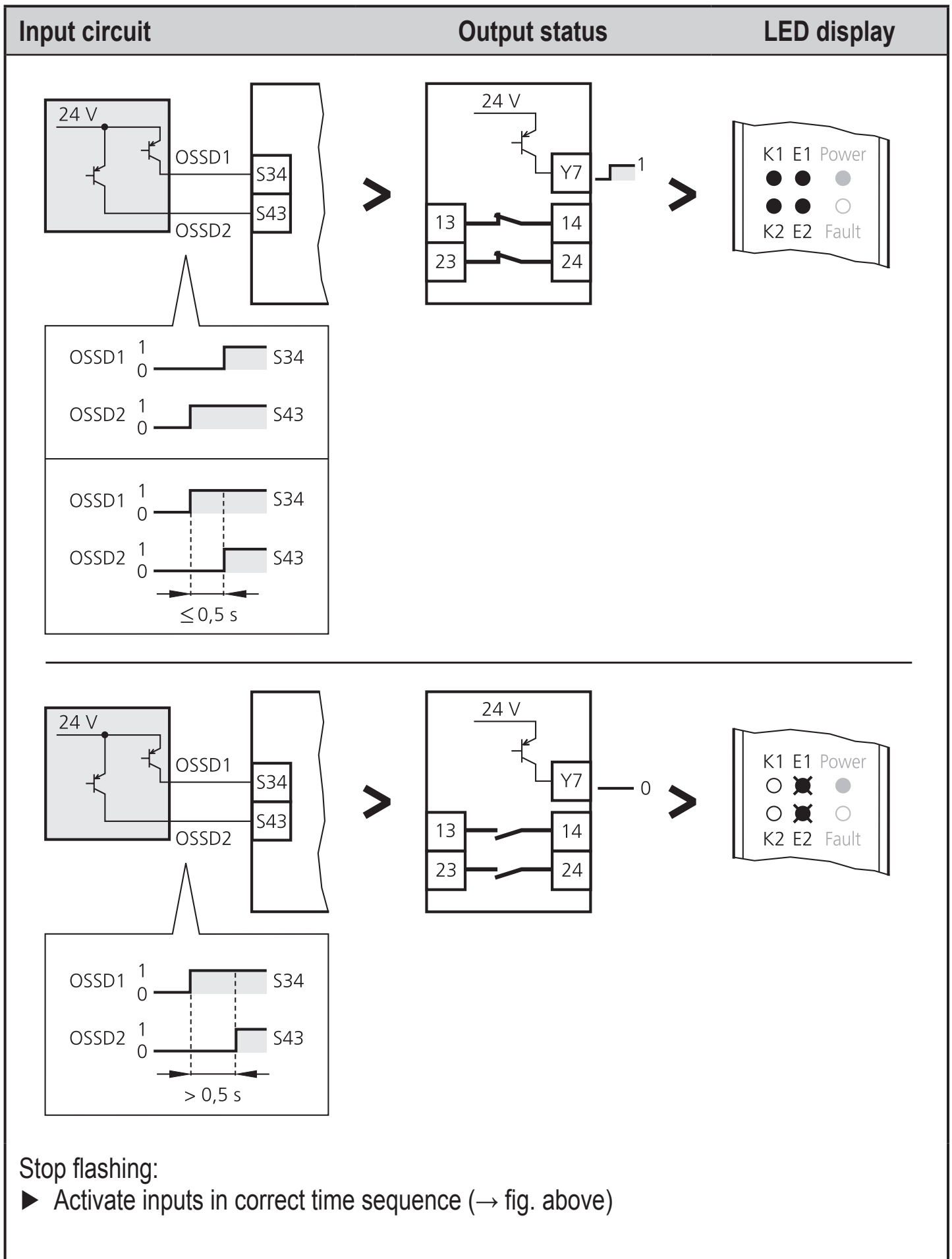
1: Fail-safe sensor/switch

Fail-safe sensor/switch with a current consumption of > 50 mA:



1: Fail-safe sensor/switch

8.1.2 Function

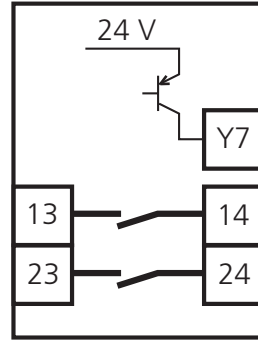
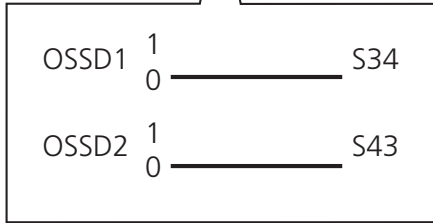
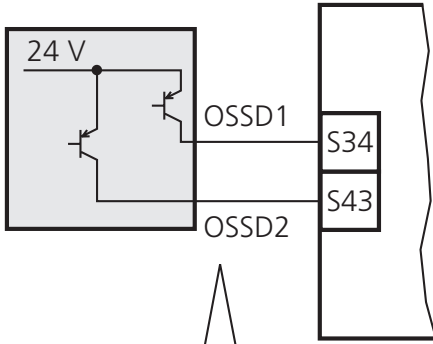


UK

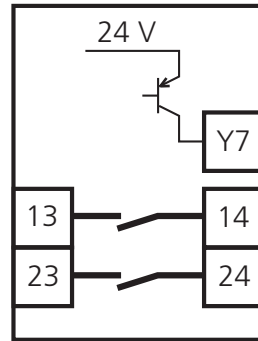
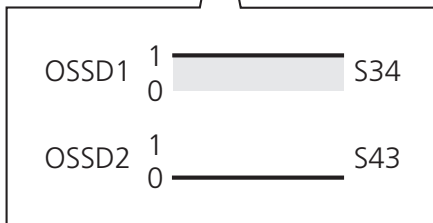
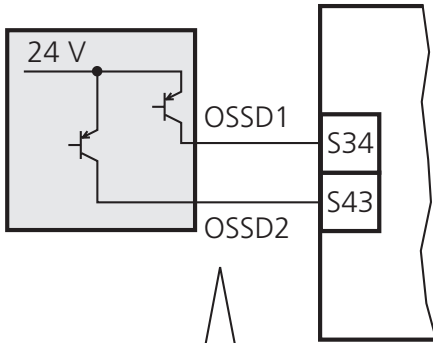
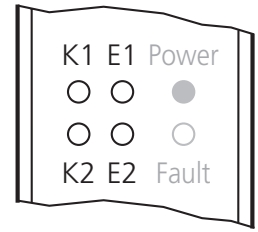
Input circuit

Output status

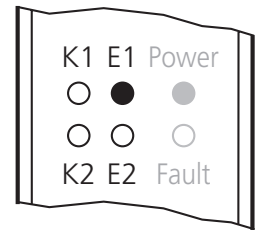
LED display



0



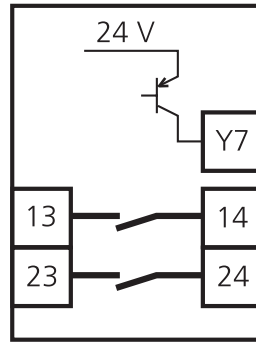
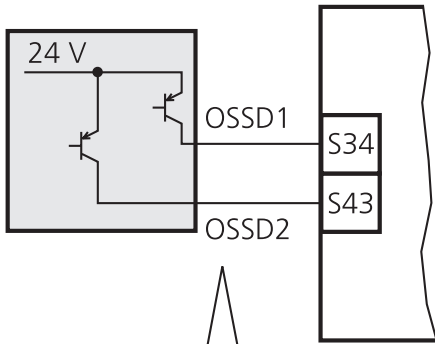
0



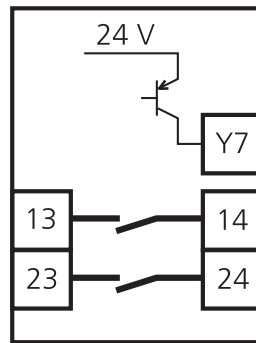
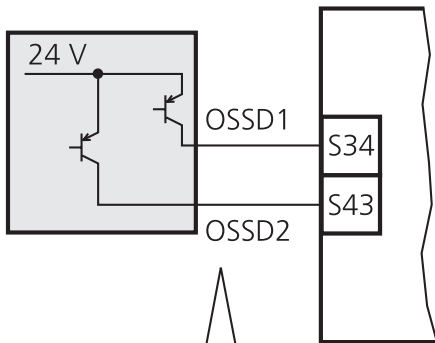
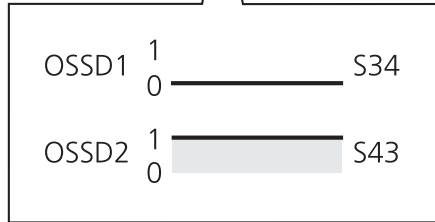
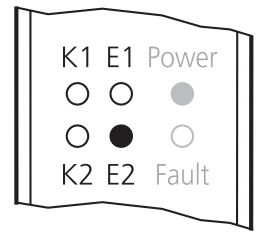
Input circuit

Output status

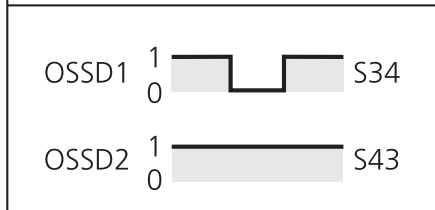
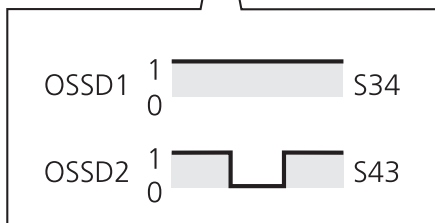
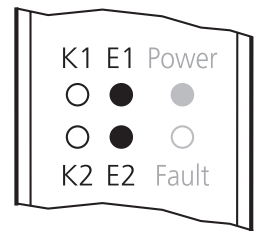
LED display



0



0



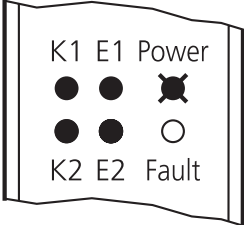
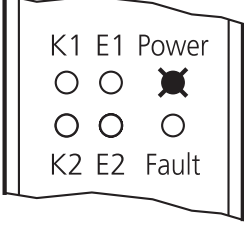
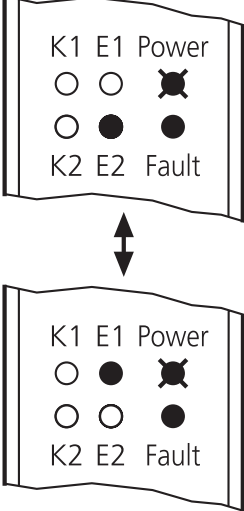
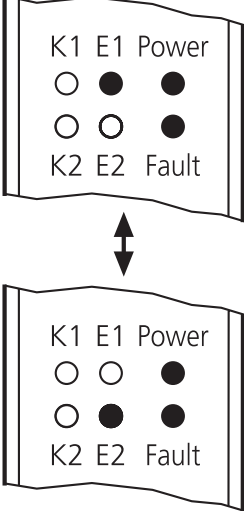
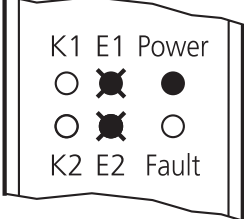
UK

8.1.3 Fault diagnosis



In case of a fault switch the safety relay off and on again!

LED display	Cause of the fault	Troubleshooting
	<ul style="list-style-type: none"> No voltage supply Overvoltage Connection A1/A3 or A1/A2 reversed 	<ul style="list-style-type: none"> ▶ Check wiring ▶ Check power supply
	<ul style="list-style-type: none"> Wire break Feedback contacts open 	<ul style="list-style-type: none"> ▶ Check wiring ▶ Switch the safety relay off and on again
	<ul style="list-style-type: none"> When voltage is applied: Feedback contacts open 	<ul style="list-style-type: none"> ▶ Check output circuit ▶ Check feedback contacts ▶ Exchange external contactor
	<ul style="list-style-type: none"> Wiring fault Short circuit Inputs S34 and S43 "1" when voltage is applied 	<ul style="list-style-type: none"> ▶ Check wiring ▶ Switch the fail-safe sensor/switch off and on again
	<ul style="list-style-type: none"> Short circuit S33/S43 	<ul style="list-style-type: none"> ▶ Check wiring
	<ul style="list-style-type: none"> Short circuit S33/S43 	<ul style="list-style-type: none"> ▶ Check wiring

LED display	Cause of the fault	Troubleshooting
	<ul style="list-style-type: none"> • Overvoltage • Undervoltage 	<ul style="list-style-type: none"> ▶ Check wiring ▶ Check power supply
	<ul style="list-style-type: none"> • Overvoltage • Undervoltage 	<ul style="list-style-type: none"> ▶ Check wiring ▶ Check power supply
	<ul style="list-style-type: none"> • Undervoltage 	<ul style="list-style-type: none"> ▶ Check wiring ▶ Check power supply
	<ul style="list-style-type: none"> • Short circuits 	<ul style="list-style-type: none"> ▶ Check wiring
	<ul style="list-style-type: none"> • Input S43 active more than 0.5 s after input S34 (→ 8.1.2) • Feedback contact error • Short circuit S34/S44 	<ul style="list-style-type: none"> ▶ Check wiring ▶ Switch the fail-safe sensor/ switch off and on again

8.2 Safety relay for clocked fail-safe sensors

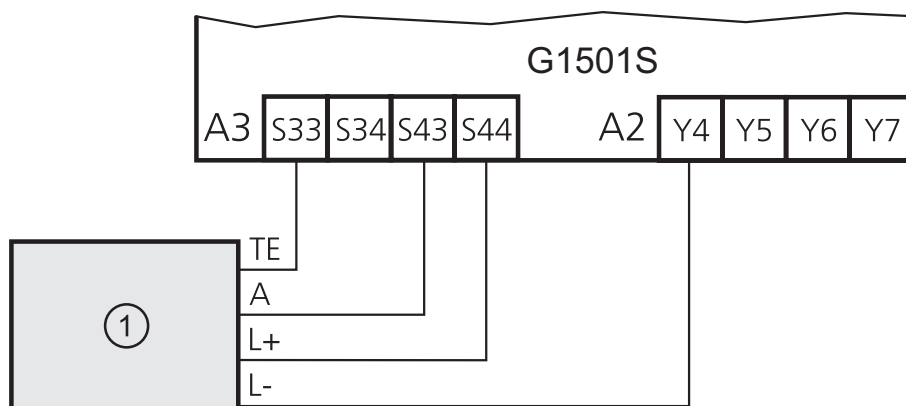
Example of fail-safe sensors/switches:

- Fail-safe inductive sensor GM504S

Up to 10 clocked fail-safe sensors can be connected to one safety relay.

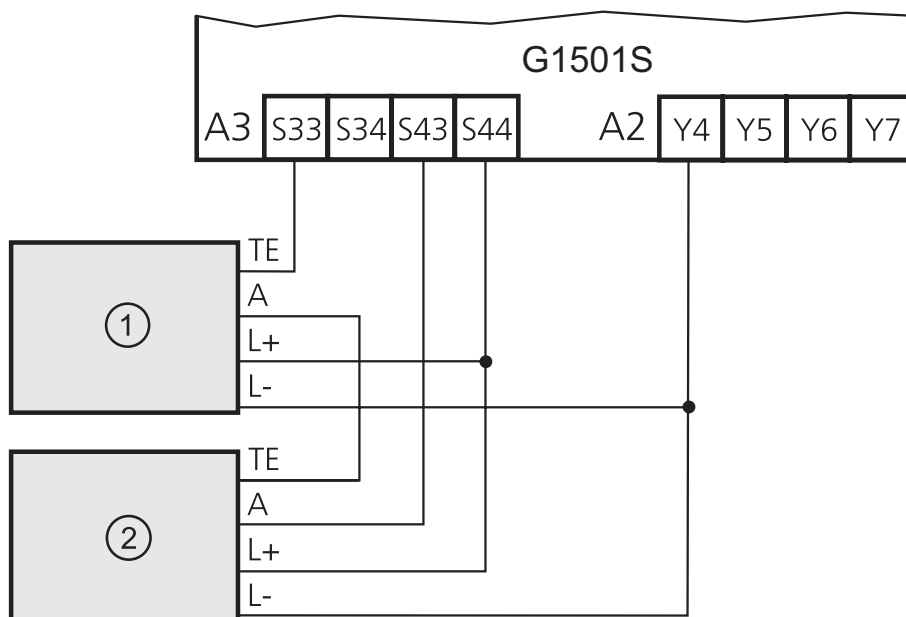
8.2.1 Connection

Connection of one fail-safe sensor/switch:



1: Fail-safe sensor/switch

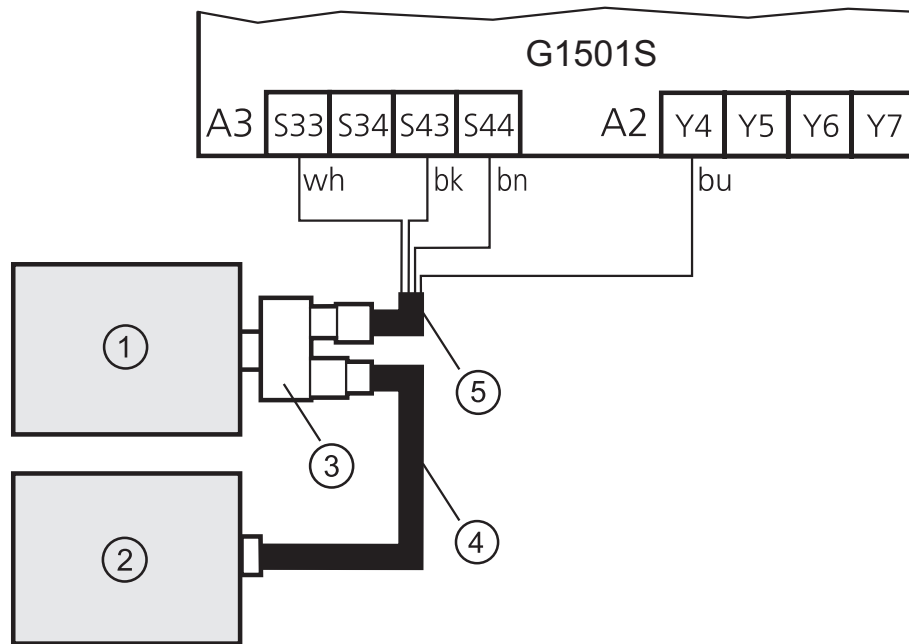
Connection of 2 fail-safe sensors/switches:



1: Fail-safe sensor/switch 1

2: Fail-safe sensor/switch 2

The use of the safety splitter box E11569 is recommended:

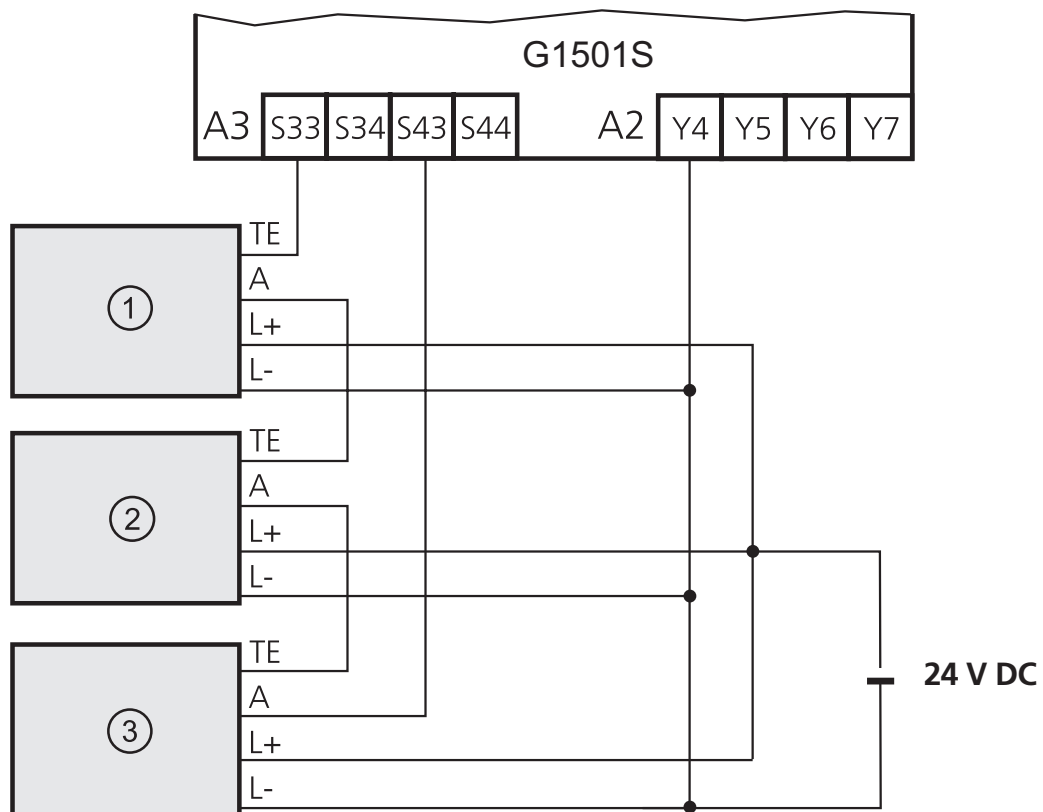


- 1: Fail-safe sensor/switch 1
- 2: Fail-safe sensor/switch 2

- 3: E11569
- 4: e.g. EVC014
- 5: e.g. EVC001

wh = white
 bk = black
 bn = brown
 bu = blue

Connection of 3 to 10 fail-safe sensors/switches:

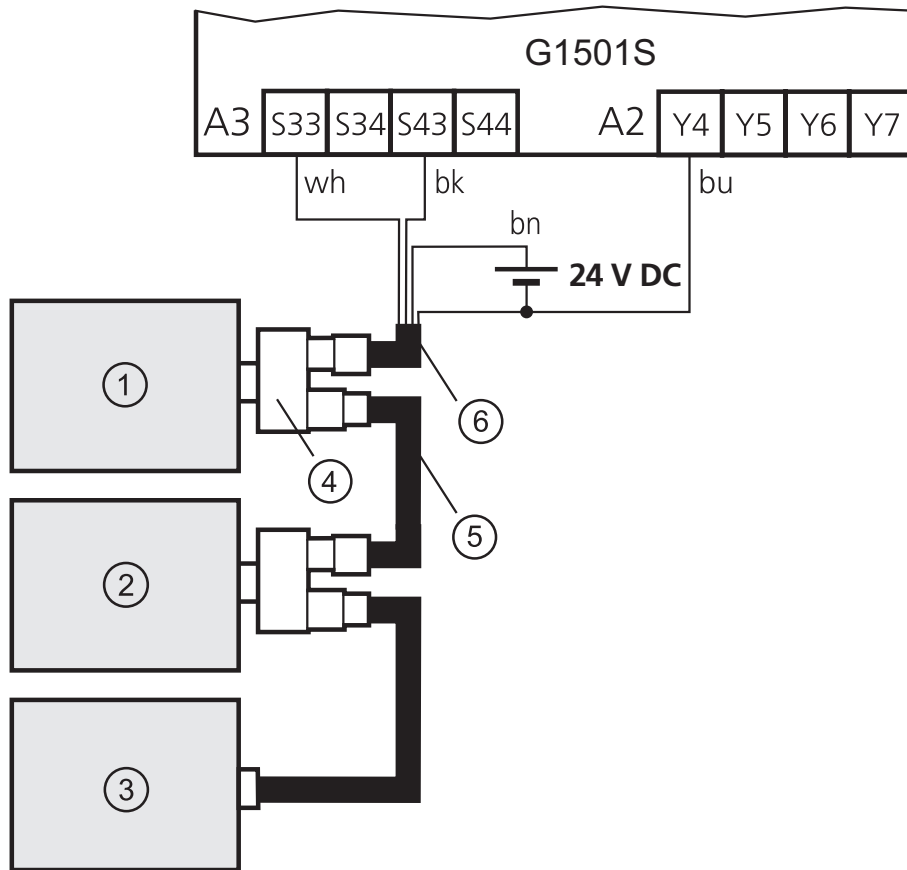


- 1: Fail-safe sensor/switch 1
- 2: Fail-safe sensor/switch 2

- 3: Fail-safe sensor/switch 3

UK

The use of the safety splitter box E11569 is recommended:

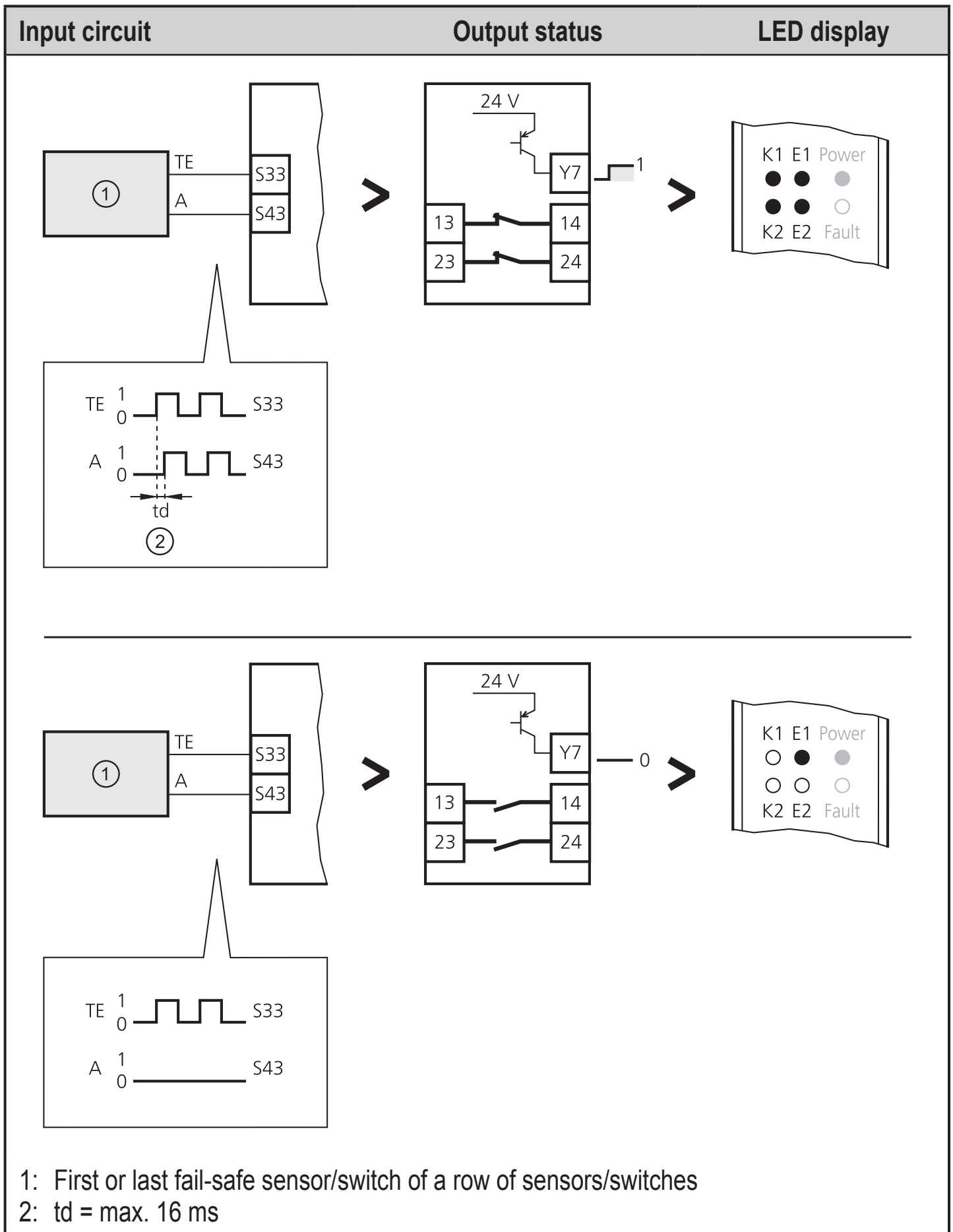


- 1: Fail-safe sensor/switch 1
- 2: Fail-safe sensor/switch 2
- 3: Fail-safe sensor/switch 3

- 4: E11569
- 5: e.g. EVC014
- 6: e.g. EVC001

- wh = white
- bk = black
- bn = brown
- bu = blue

8.2.2 Function

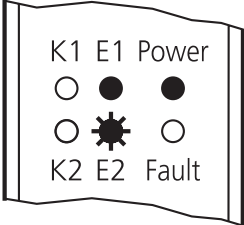
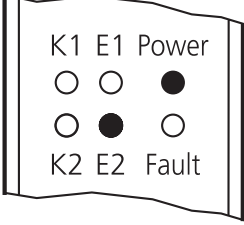
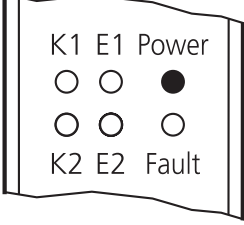
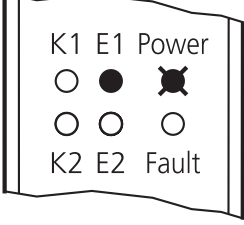
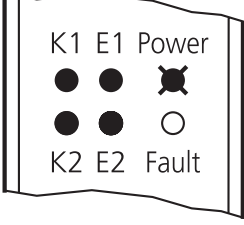
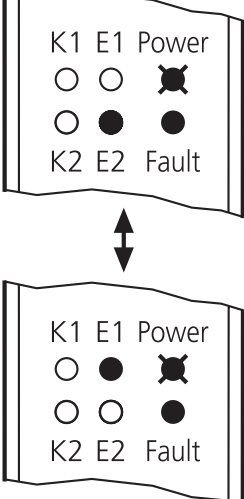


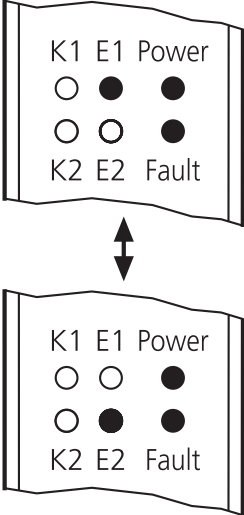
8.2.3 Fault diagnosis



In case of a fault switch the safety relay off and on again!

LED display	Cause of the fault	Troubleshooting
	<ul style="list-style-type: none"> No voltage supply Overvoltage Connection A1/A2 reversed 	<ul style="list-style-type: none"> ▶ Check wiring ▶ Check power supply
	<ul style="list-style-type: none"> Wire break Feedback contacts open Time-dependent contacts 	<ul style="list-style-type: none"> ▶ Check wiring ▶ Switch the safety relay off and on again
	<ul style="list-style-type: none"> When voltage is applied: Feedback contacts open 	<ul style="list-style-type: none"> ▶ Check output circuit ▶ Check feedback contacts ▶ Exchange external contactor
	<ul style="list-style-type: none"> Short circuit Connection A1/A3 or A2/A3 reversed 	<ul style="list-style-type: none"> ▶ Check wiring
	<ul style="list-style-type: none"> Short circuit S43/L+ or S44/L- 	<ul style="list-style-type: none"> ▶ Check wiring
	<ul style="list-style-type: none"> Short-circuit S34/S44 or S33/S43 	<ul style="list-style-type: none"> ▶ Check wiring

LED display	Cause of the fault	Troubleshooting
	<ul style="list-style-type: none"> • Short circuit S34/L+ 	<ul style="list-style-type: none"> ▶ Check wiring
	<ul style="list-style-type: none"> • Short circuit S43/L+ or S34/S44 	<ul style="list-style-type: none"> ▶ Check wiring
	<ul style="list-style-type: none"> • Missing clock • Wiring fault • Connection A2/A3 reversed • Short circuit S43/L- 	<ul style="list-style-type: none"> ▶ Check wiring
	<ul style="list-style-type: none"> • Overvoltage • Undervoltage 	<ul style="list-style-type: none"> ▶ Check wiring ▶ Check power supply
	<ul style="list-style-type: none"> • Overvoltage • Undervoltage 	<ul style="list-style-type: none"> ▶ Check wiring ▶ Check power supply
	<ul style="list-style-type: none"> • Undervoltage 	<ul style="list-style-type: none"> ▶ Check wiring ▶ Check power supply

LED display	Cause of the fault	Troubleshooting
	<ul style="list-style-type: none"> • Short circuits 	<ul style="list-style-type: none"> ▶ Check wiring

8.3 Relay for two-hand control using electronic sensors/switches

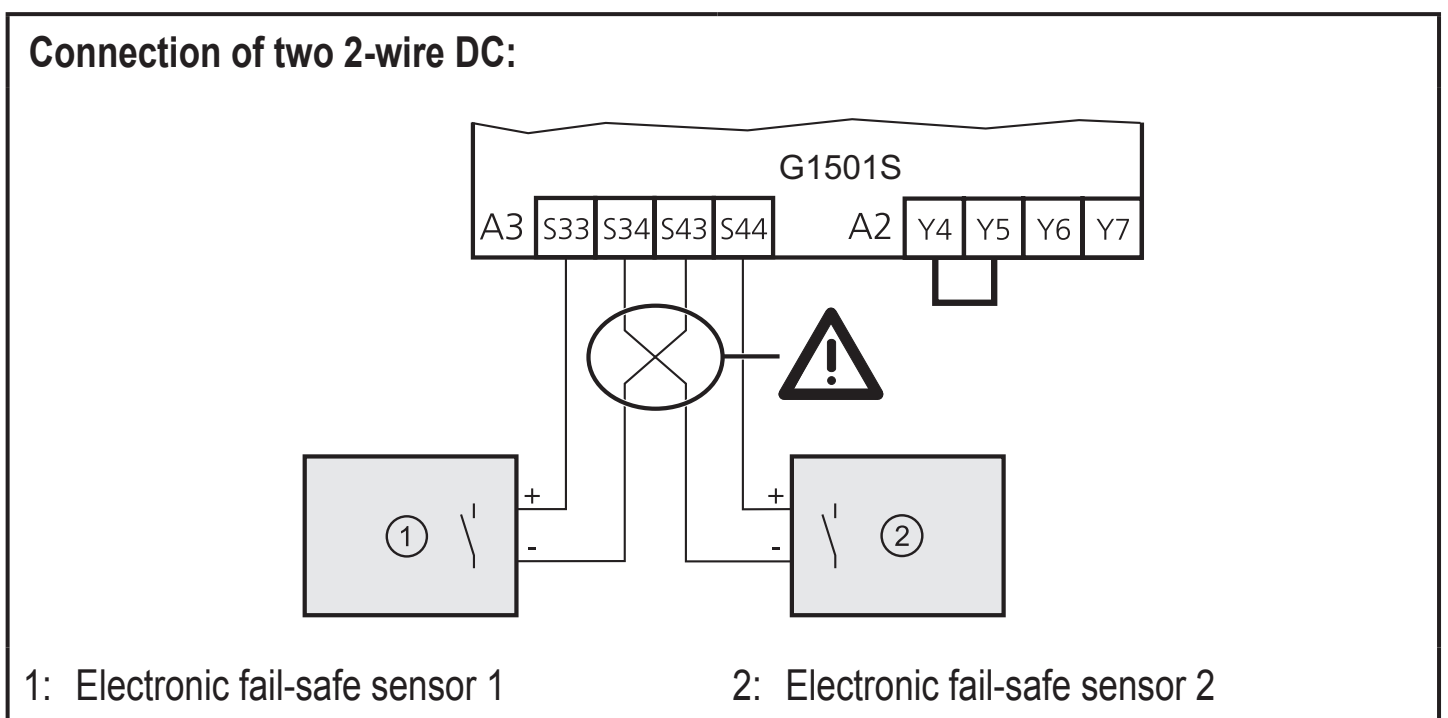
Example of electronic sensors/switches:

- Capacitive sensors

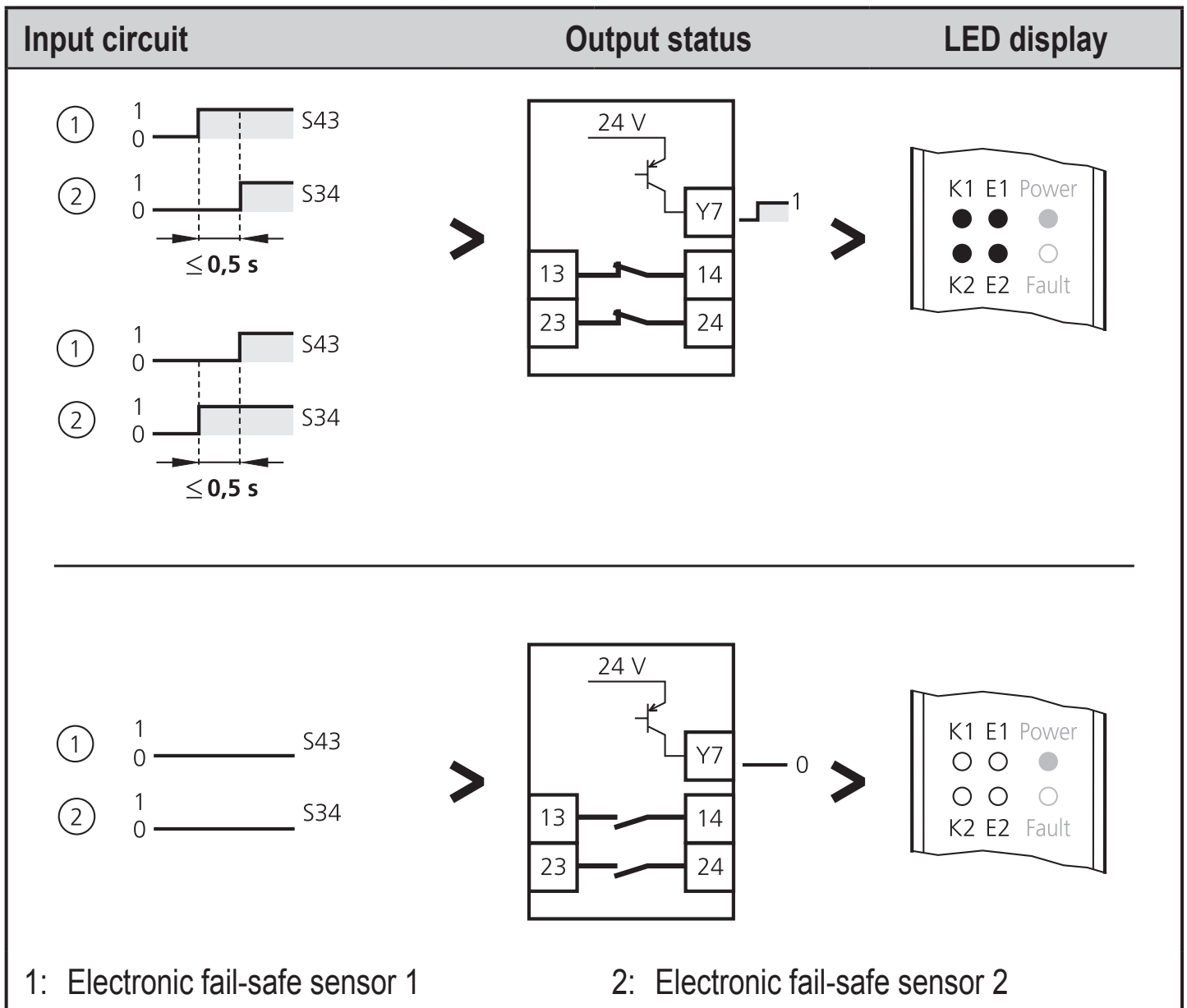
For product selection see www.ifm.com

This wiring meets the requirements type IIIB to EN 574. Use up to type IIIC is possible using corresponding sensors/switches with two independent switching elements, internal plausibility check and protected or screened wires.

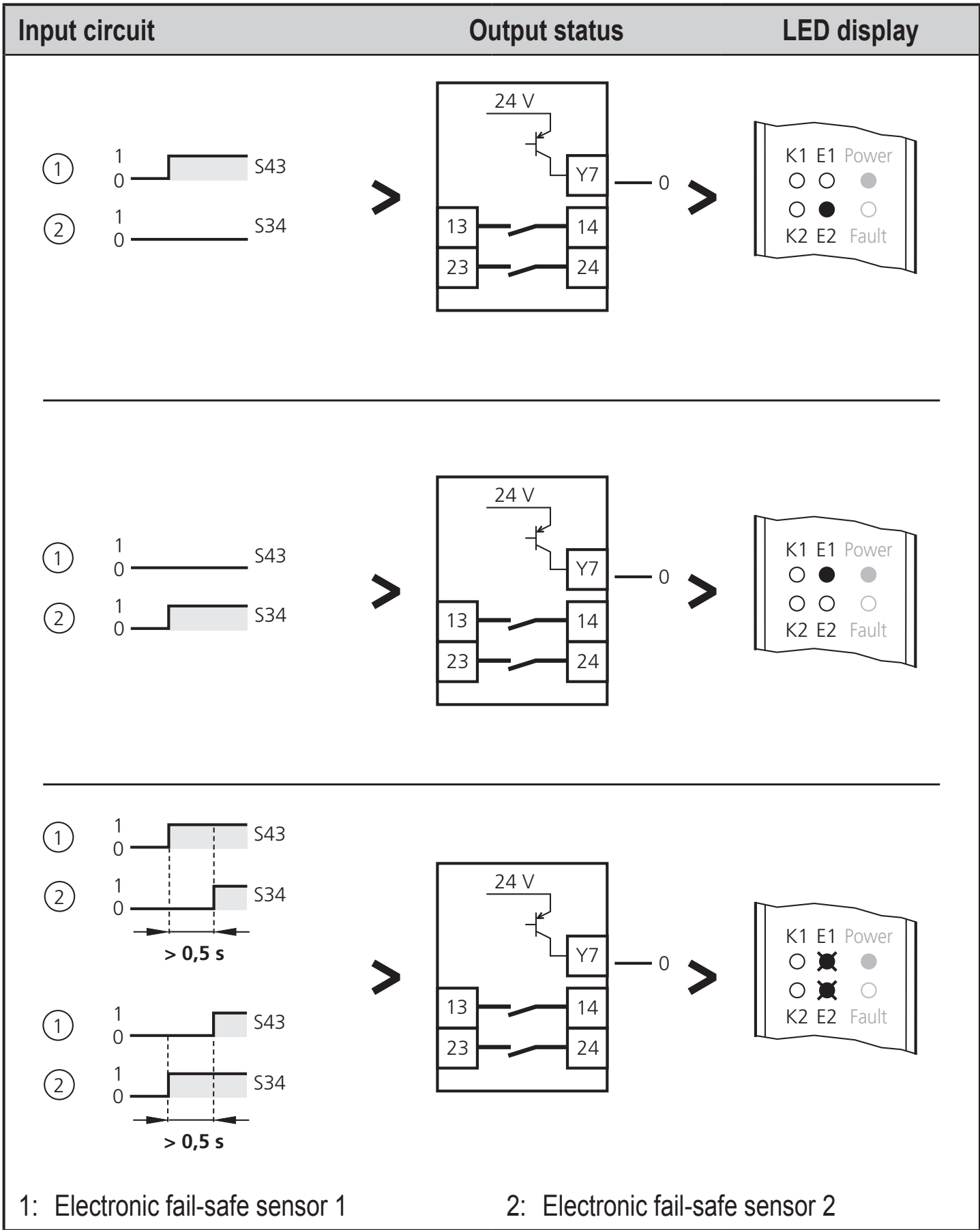
8.3.1 Connection



8.3.2 Function



UK



8.3.3 Fault diagnosis



In case of a fault switch the safety relay off and on again!

LED display	Cause of the fault	Troubleshooting
	<ul style="list-style-type: none"> No voltage supply Overvoltage Connection A1/A3 or A1/A2 reversed 	<ul style="list-style-type: none"> ▶ Check wiring ▶ Check power supply
	<ul style="list-style-type: none"> Wire break Feedback contacts open Time-dependent contacts 	<ul style="list-style-type: none"> ▶ Check wiring ▶ Switch the safety relay off and on again
	<ul style="list-style-type: none"> When voltage is applied: Feedback contacts open 	<ul style="list-style-type: none"> ▶ Check output circuit ▶ Check feedback contacts ▶ Exchange external contactor
	<ul style="list-style-type: none"> Wiring fault Missing link Y4/Y5 Short circuit Inputs S34 and S43 activated when voltage is applied 	<ul style="list-style-type: none"> ▶ Check wiring ▶ Deactivate inputs and RESET or voltage failure
	<ul style="list-style-type: none"> Connections A3/A2 reversed 	<ul style="list-style-type: none"> ▶ Check wiring
	<ul style="list-style-type: none"> Missing link Y4/Y5 	<ul style="list-style-type: none"> ▶ Check wiring

UK

LED display	Cause of the fault	Troubleshooting
	<ul style="list-style-type: none"> • Overvoltage • Undervoltage 	<ul style="list-style-type: none"> ▶ Check wiring ▶ Check power supply
	<ul style="list-style-type: none"> • Overvoltage • Undervoltage 	<ul style="list-style-type: none"> ▶ Check wiring ▶ Check power supply
 	<ul style="list-style-type: none"> • Undervoltage 	<ul style="list-style-type: none"> ▶ Check wiring ▶ Check power supply
 	<ul style="list-style-type: none"> • Short circuits 	<ul style="list-style-type: none"> ▶ Check wiring
	<ul style="list-style-type: none"> • Inputs S34 and S43 not activated within 0.5 s (→ 8.3.2) • Feedback contact error • Short circuit S34/S44 	<ul style="list-style-type: none"> ▶ Check wiring ▶ Deactivate inputs and activate them again

8.4 Relay for two-hand control using mechanical switches with simultaneity monitoring

Two-hand control with mechanical switches / safety relay for mechanical switches or 2-channel fail-safe sensors/switches with contact output with simultaneity monitoring.

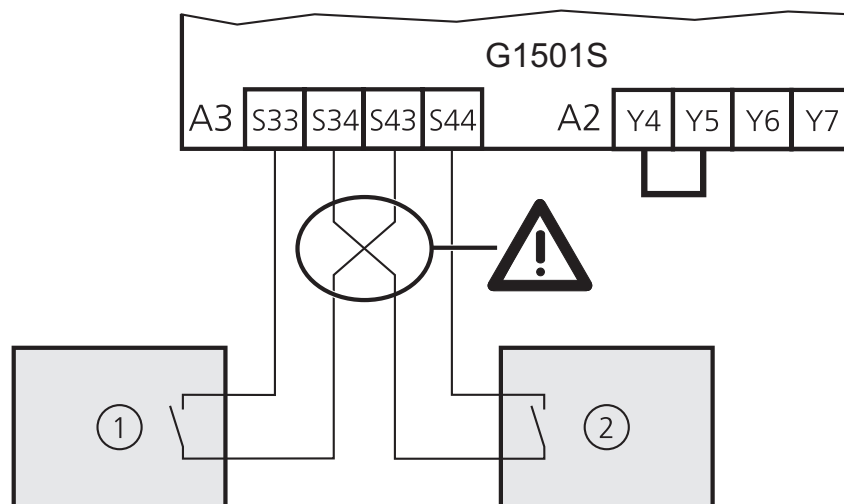
 The contacts of the mechanical switches must allow a minimum current of 6 mA.

8.4.1 Connection

Connection of two mechanical fail-safe switches

This wiring (with only one normally open contact per sensor/switch) meets the requirements of type IIIB to EN 574.

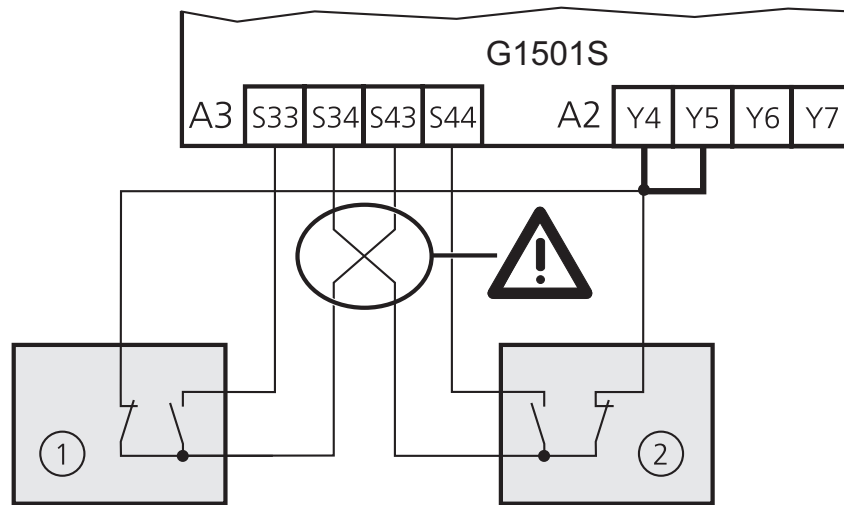
Use up to type IIIC is possible using corresponding sensors/switches approved to EN 60947-5-1 annex K and protected or screened wires.



1: Mechanical fail-safe switch 1

2: Mechanical fail-safe switch 2

Connection of mechanical switches according to type IIC to EN 574

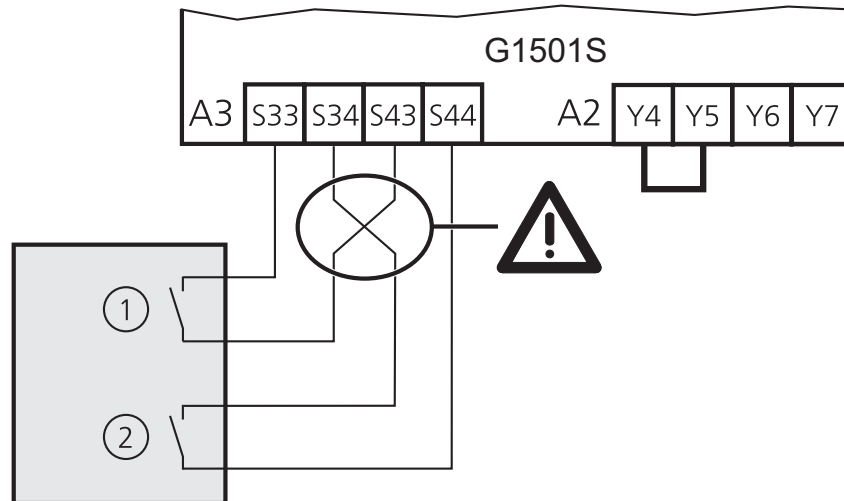


1: Mechanical switch 1 (no positively driven contacts)

2: Mechanical switch 2 (no positively driven contacts)

Connection of a 2-channel fail-safe sensor/switch

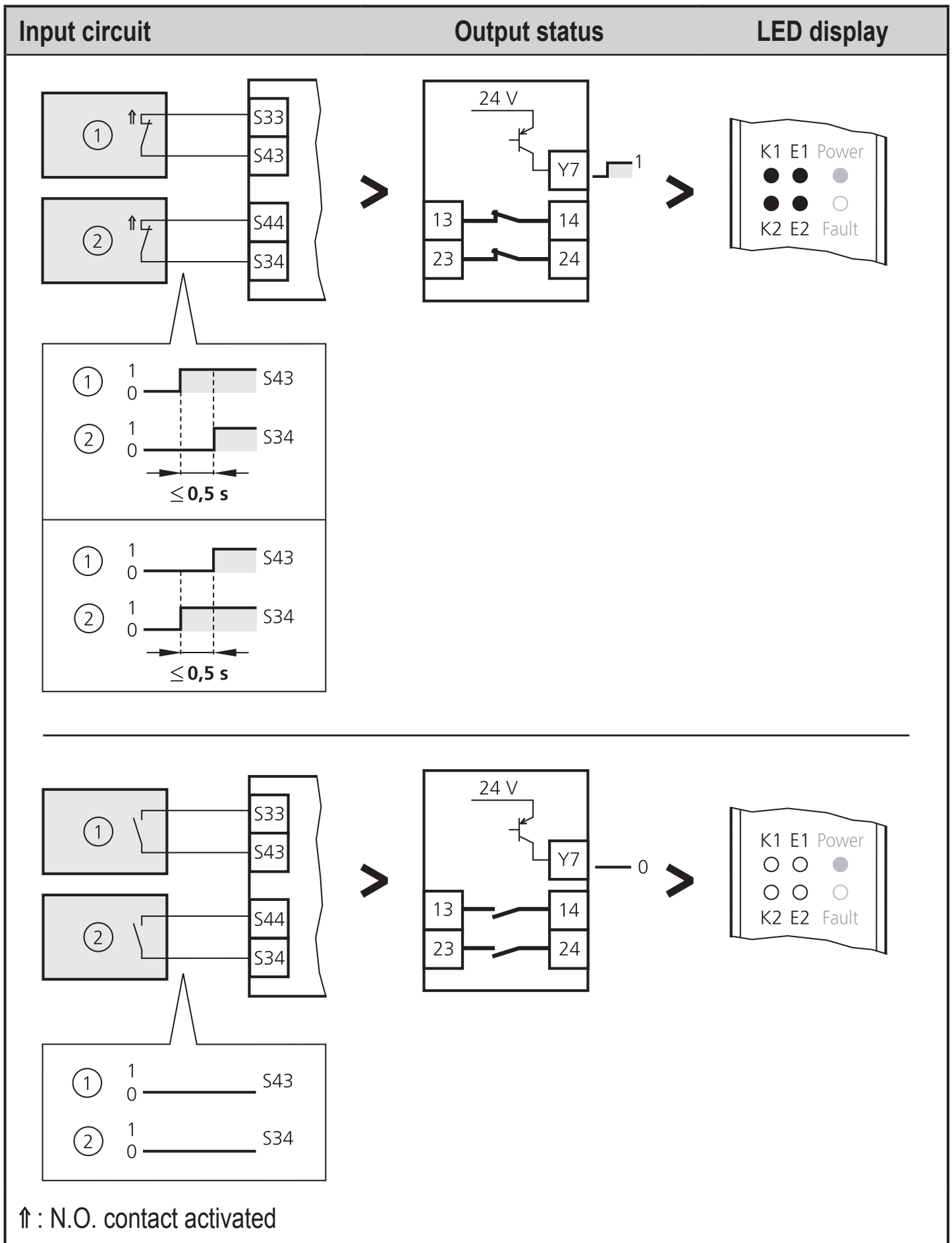
e.g. "electro-sensitive protective equipment" (ESPE) to EN 61496-1



1: Contact 1 of the ESPE

2: Contact 2 of the ESPE

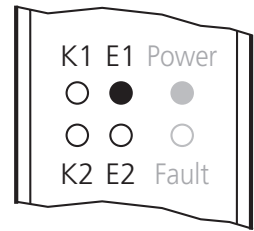
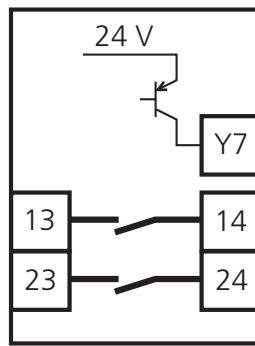
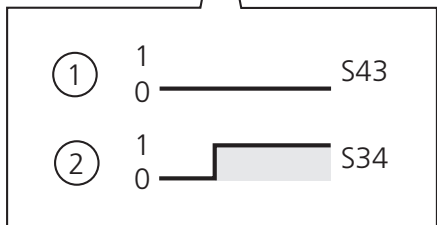
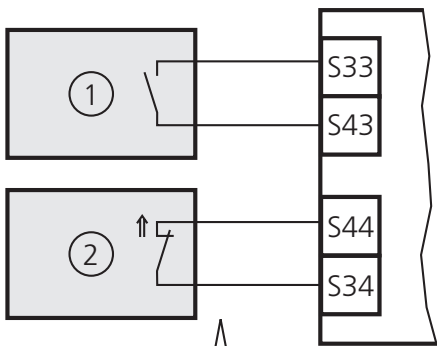
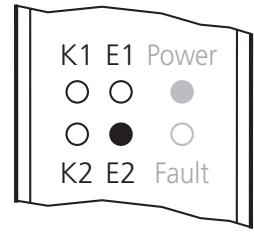
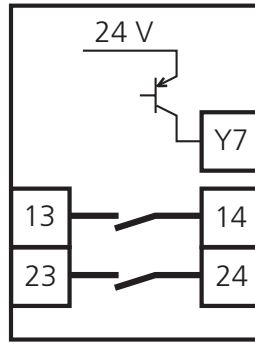
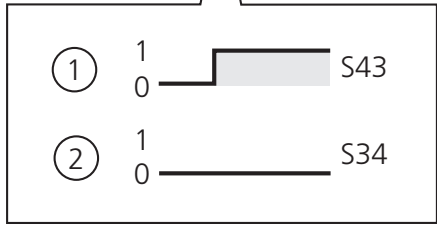
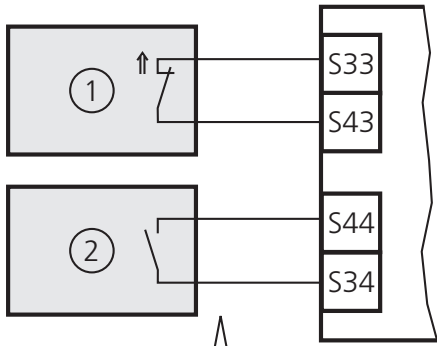
8.4.2 Function



Input circuit

Output status

LED display



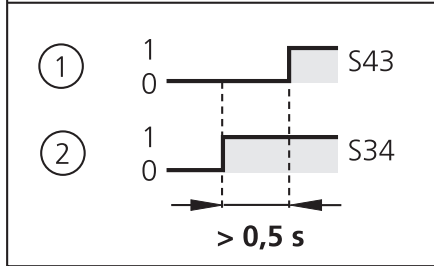
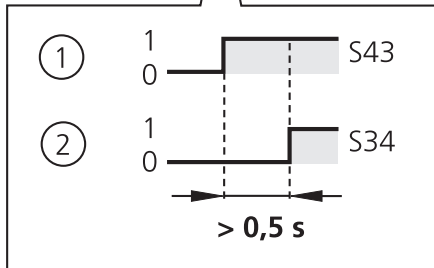
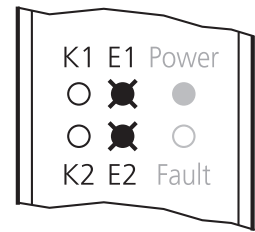
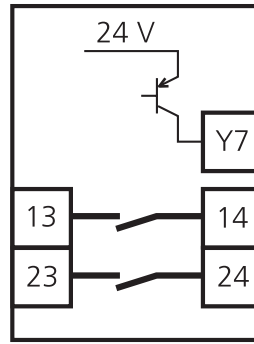
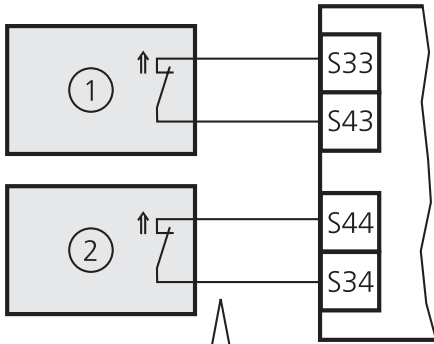
1: Electronic fail-safe sensor 1

2: Electronic fail-safe sensor 1

Input circuit

Output status

LED display



1: Electronic fail-safe sensor 1

2: Electronic fail-safe sensor 2

↑ : N.O. contact activated

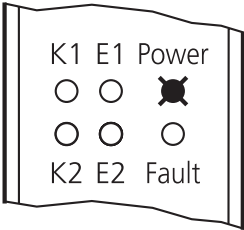
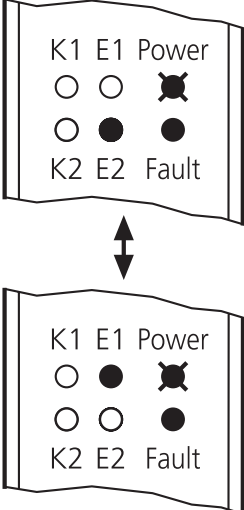
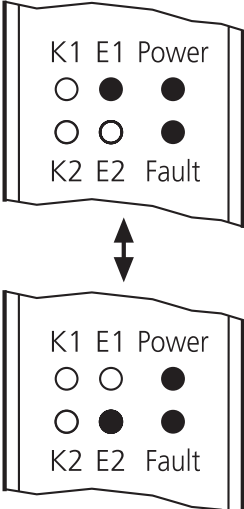
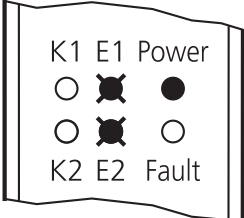
UK

8.4.3 Fault diagnosis



In case of a fault switch the safety relay off and on again!

LED display	Cause of the fault	Troubleshooting
	<ul style="list-style-type: none"> • No voltage supply • Overvoltage • Connection A1/A3 or A1/A2 reversed 	<ul style="list-style-type: none"> ▶ Check wiring ▶ Check power supply
	<ul style="list-style-type: none"> • Wire break • Feedback contacts open • Time-dependent contacts 	<ul style="list-style-type: none"> ▶ Check wiring ▶ Switch the safety relay off and on again
	<ul style="list-style-type: none"> • When voltage is applied: Feedback contacts open 	<ul style="list-style-type: none"> ▶ Check output circuit ▶ Check feedback contacts ▶ Exchange external contactor
	<ul style="list-style-type: none"> • Wiring fault • Missing link Y4/Y5 • Short circuit • Contacts closed when voltage is applied 	<ul style="list-style-type: none"> ▶ Check wiring ▶ Open contacts and RESET or voltage failure
	<ul style="list-style-type: none"> • Connection A2/A3 reversed 	<ul style="list-style-type: none"> ▶ Check wiring
	<ul style="list-style-type: none"> • Overvoltage • Undervoltage 	<ul style="list-style-type: none"> ▶ Check wiring ▶ Check power supply

LED display	Cause of the fault	Troubleshooting
	<ul style="list-style-type: none"> • Overvoltage • Undervoltage 	<ul style="list-style-type: none"> ▶ Check wiring ▶ Check power supply
	<ul style="list-style-type: none"> • Undervoltage 	<ul style="list-style-type: none"> ▶ Check wiring ▶ Check power supply
	<ul style="list-style-type: none"> • Short circuits 	<ul style="list-style-type: none"> ▶ Check wiring
	<ul style="list-style-type: none"> • Inputs S34 and S43 not activated within 0.5 s (→ 8.4.2) • Feedback contact error • Short circuit S34/S44 	<ul style="list-style-type: none"> ▶ Check wiring ▶ Deactivate inputs and activate them again

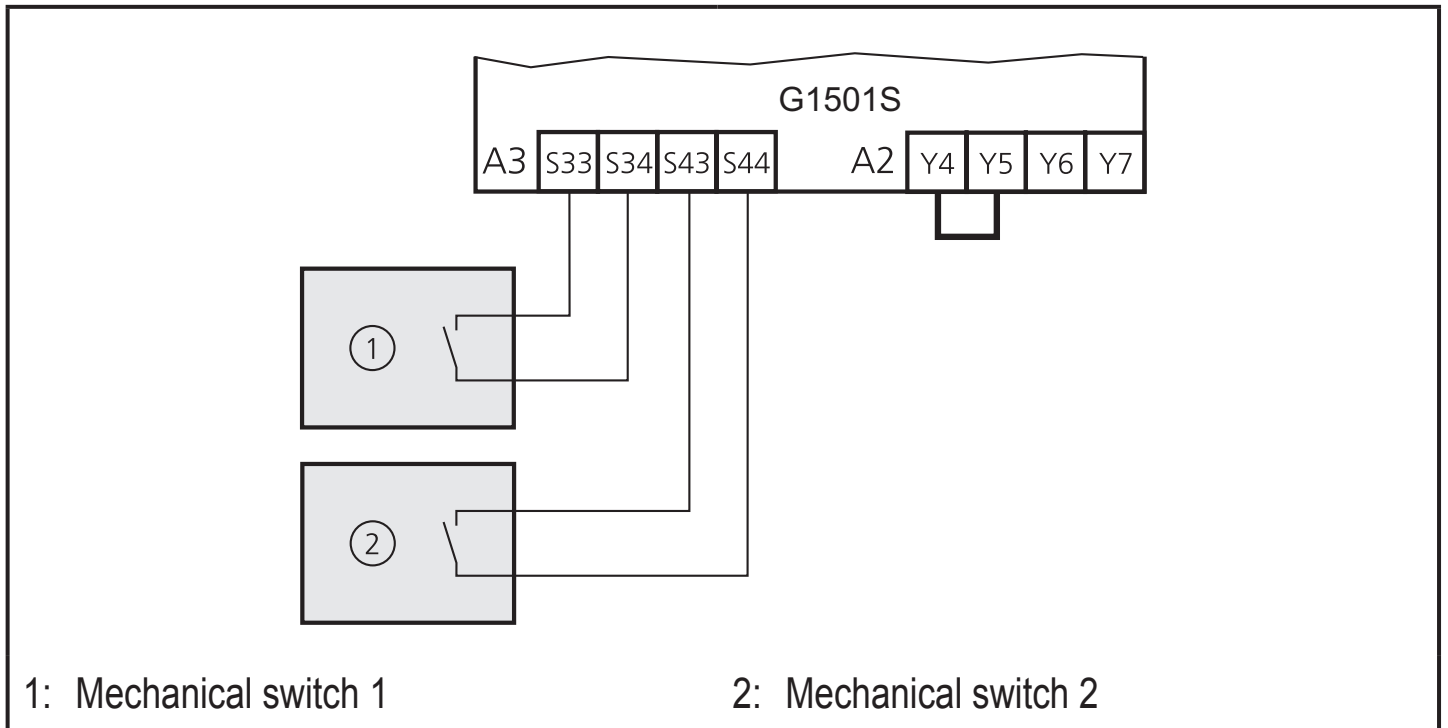
8.5 Safety relay for mechanical switches or 2-channel fail-safe sensors/switches with contact output and without simultaneity monitoring

The 2-channel fail-safe sensors/switches are for example "electro-sensitive protective equipment" (ESPE) to EN 61496-1.

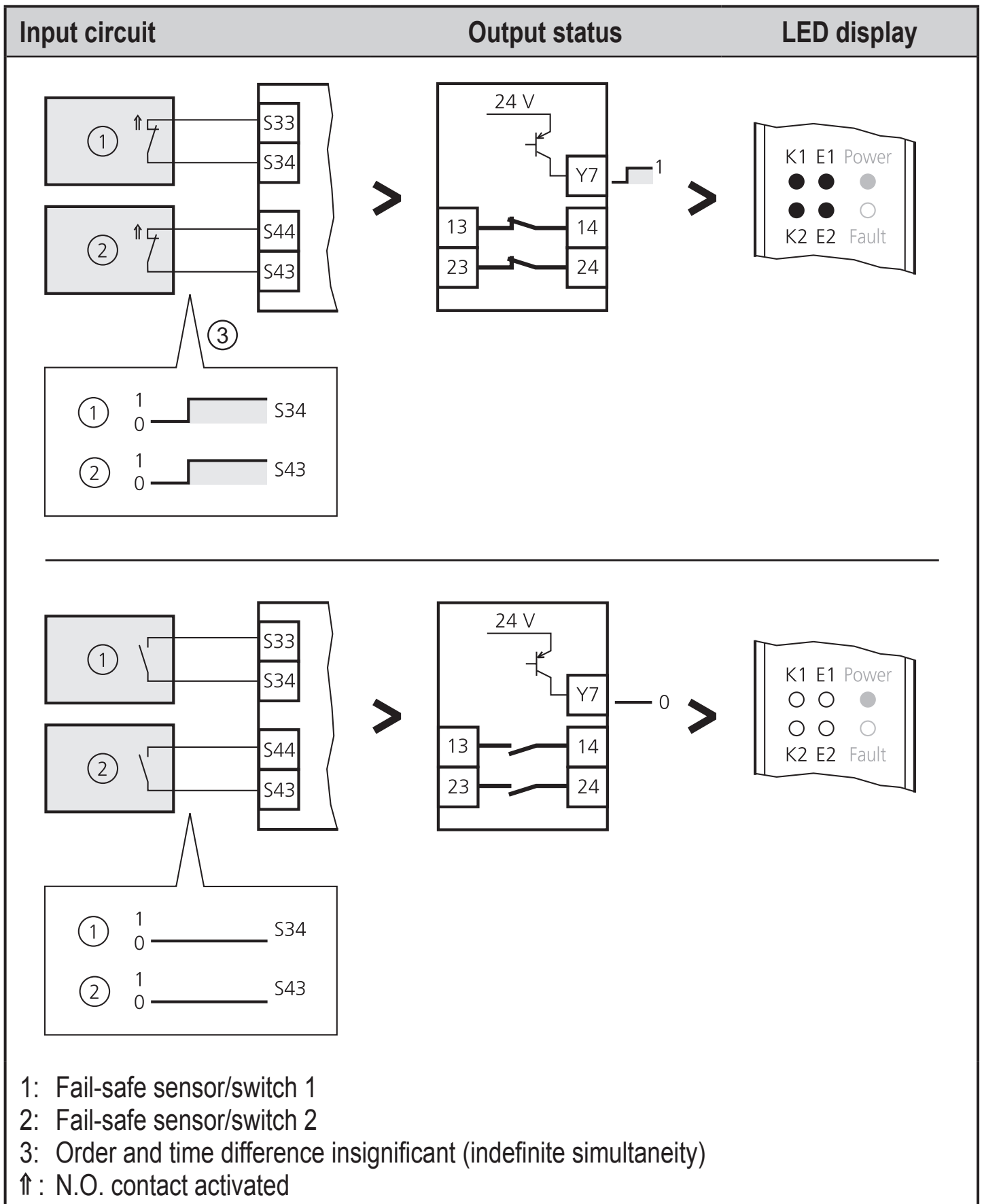


The contacts of the sensors/switches must allow a minimum current of 6 mA.

8.5.1 Connection



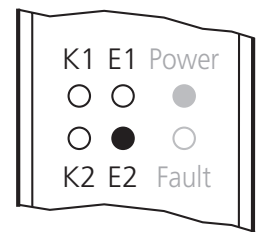
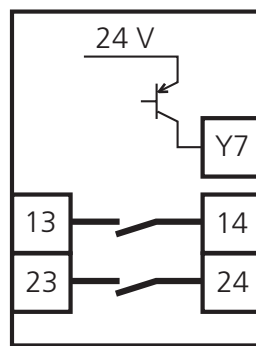
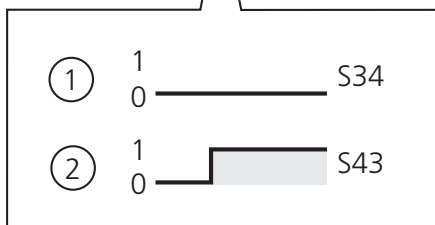
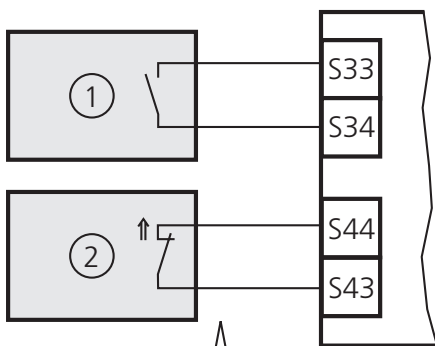
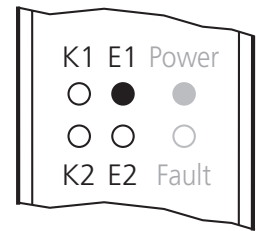
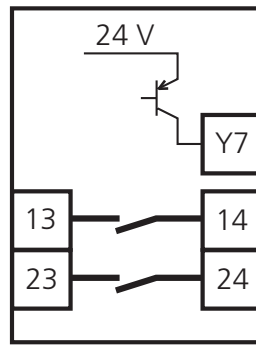
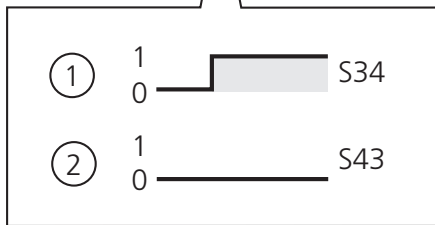
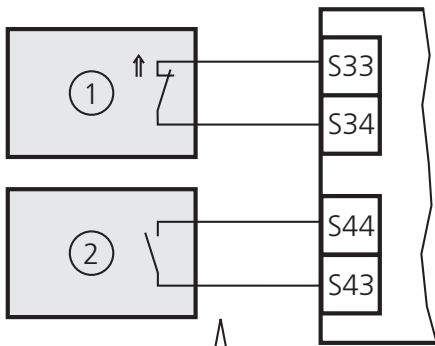
8.5.2 Function



Input circuit

Output status

LED display



- 1: Fail-safe sensor/switch 1
- 2: Fail-safe sensor/switch 2
- ↑ : N.O. contact activated

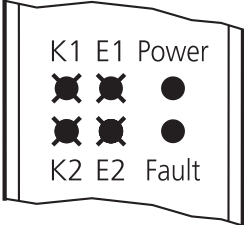
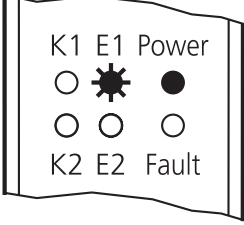
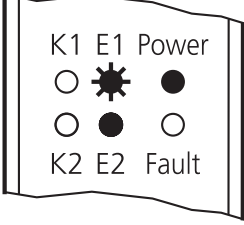
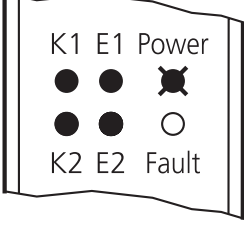
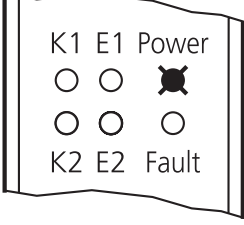
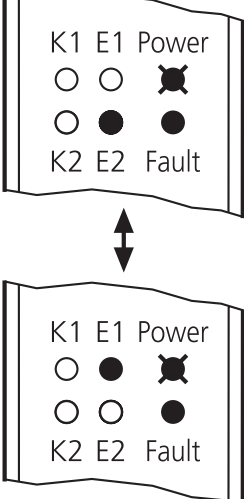
8.5.3 Fault diagnosis

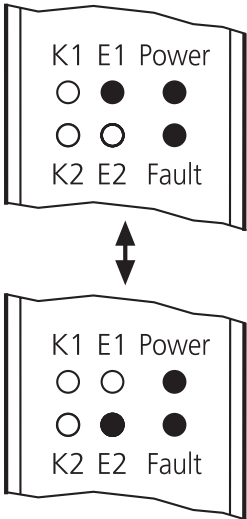


In case of a fault switch the safety relay off and on again!

LED display	Cause of the fault	Troubleshooting
	<ul style="list-style-type: none"> No voltage supply Overvoltage 	<ul style="list-style-type: none"> ▶ Check wiring ▶ Check power supply
	<ul style="list-style-type: none"> Short circuit Wire break 	<ul style="list-style-type: none"> ▶ Check wiring
	<ul style="list-style-type: none"> Short circuit Wire break 	<ul style="list-style-type: none"> ▶ Check wiring
	<ul style="list-style-type: none"> Short circuit Wire break 	<ul style="list-style-type: none"> ▶ Check wiring
	<ul style="list-style-type: none"> Feedback contacts open Wire break 	<ul style="list-style-type: none"> ▶ Check wiring
	<ul style="list-style-type: none"> When voltage is applied: Feedback contacts open 	<ul style="list-style-type: none"> ▶ Check output circuit ▶ Check feedback contacts ▶ Exchange external contactor

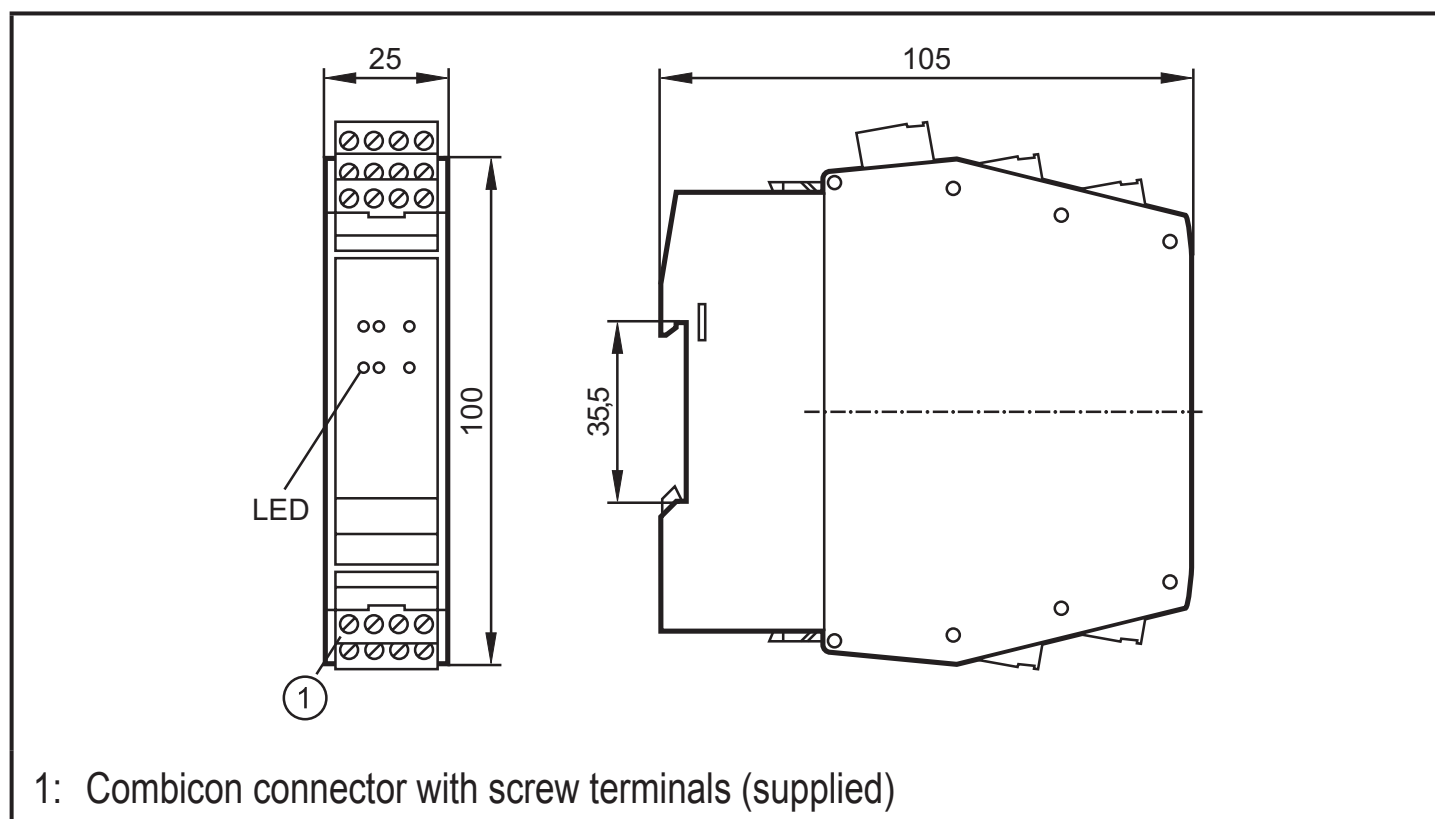
UK

LED display	Cause of the fault	Troubleshooting
	<ul style="list-style-type: none"> • Wiring fault • Missing link Y4/Y5 • Short circuit 	<ul style="list-style-type: none"> ▶ Check wiring
	<ul style="list-style-type: none"> • Connection A2/A3 reversed 	<ul style="list-style-type: none"> ▶ Check wiring
	<ul style="list-style-type: none"> • Missing link Y4/Y5 	<ul style="list-style-type: none"> ▶ Check wiring
	<ul style="list-style-type: none"> • Overvoltage • Undervoltage 	<ul style="list-style-type: none"> ▶ Check wiring ▶ Check power supply
	<ul style="list-style-type: none"> • Overvoltage • Undervoltage 	<ul style="list-style-type: none"> ▶ Check wiring ▶ Check power supply
	<ul style="list-style-type: none"> • Undervoltage 	<ul style="list-style-type: none"> ▶ Check wiring ▶ Check power supply

LED display	Cause of the fault	Troubleshooting
 <p>The diagram illustrates two states of an LED display. The top display shows the following status: K1 E1 Power (off, on, on) and K2 E2 Fault (off, off, on). The bottom display shows: K1 E1 Power (off, off, on) and K2 E2 Fault (off, on, on). A double-headed vertical arrow between the two displays indicates a transition or comparison of states.</p>	<ul style="list-style-type: none"> • Short circuits 	<ul style="list-style-type: none"> ▶ Check wiring

UK

9 Scale drawing



10 Technical data

G1501S

Safety relay with relay outputs

Terminal block Phoenix Contact MSTBO

Meets the requirements of:

EN ISO 13849-1:2008+AC2009, category 4 PL e, SIL 3 (IEC 61508)

Electrical design	Relay
Output function	2 safety-related NO (floating contacts) 1 signal output (positive switching)
Operating voltage	24 V DC (19.2...30) incl. 5 % residual ripple
Contact rating	6 A, 250 V AC / 24 V DC (min 6 mA)
Short-circuit protection / overload protection	The contacts are to be protected by means of fuses with a nominal current of < 3.6 A
Current consumption	< 200 mA
Function display	voltage (green), error (red), output status (2 x yellow), input (2 x yellow)

Power-on delay time	< 6 s				
Response time [ms]	acc. to input circuit → chapter				
	8.1	8.2	8.3	8.4	8.5
Release	40	160	40	110	110
Safety requirement	30	180	30	30	30
Ambient temperature	-25...55°C				
Protection rating	IP 20				
Housing materials	PA				
Input characteristics (S34, S43)	"1": > 11 V, 6 mA "0": < 5 V, < 500 μA				
Output characteristics	S33 push-pull short-circuit proof "0": $I_{\text{sink}} \sim 30 \text{ mA}$ "1": $I_{\text{source}} \geq 50 \text{ mA}$, $U > 18 \text{ V}$ S44 "0": $I_{\text{R}} \leq 300 \mu\text{A}$ "1": $I_{\text{source}} \geq 50 \text{ mA}$, $U > 18 \text{ V}$ Y7 "0": $I_{\text{R}} \leq 300 \mu\text{A}$ "1": $I_{\text{source}} \geq 11 \text{ V @ } 30 \text{ mA}$, $\geq 15 \text{ V @ } 15 \text{ mA}$				
Current through feedback contacts (Y1-Y2 or Y1-Y6)	6 mA				
Mission time T_{M} (Mission time)	175 200 h				
PFH _D	$2.2 \times 10^{-9} / \text{h}^*$				
B10 _D	max. 780 000				
Comments	<p>Additional comments concerning the cULus approval (UL 508):</p> <ul style="list-style-type: none"> • Maximum ambient temperature 55°C (in the control cabinet) • The safety functions were not assessed by UL. The approval has been made according to UL 508 for general applications. • Use 60/75°C copper conductors only. • For use in pollution degree 2 environment • Same polarity (phase) referred to the output contacts <p>*) with $h_{\text{op}} = 24 \text{ h}$, $d_{\text{op}} = 365 \text{ days}$, $t_{\text{cycle}} = 8640 \text{ s}$</p>				

UK

11 Tests/approvals

The safety relay G1501S was tested and certified by TÜV-Nord.

The safety relay was developed and tested in accordance with the following directives and standards:

- 2006/42/EC Machinery Directive
- 2004/108/EC EMC Directive
- 2014/30/EU EMC Directive (effective from 20 April 2016)
- EN 50178 (1997) Electronic equipment for use in power installations
- EN ISO 13849-1:2008+AC2009 Safety of machinery, safety-related parts of control systems
- DIN EN 60204-1:2006 (where applicable) Electrical equipment of machines
- EN 574:1996+A1:2008 Safety of machinery - Two-hand control devices - Functional aspects - Principles for design
- IEC 61508:2010 Functional safety of electrical/electronic/programmable electronic safety-related systems
- EN 62061:2005+A1:2013 Safety of machinery - Functional safety of safety-related electrical, electronic and programmable electronic control systems
- UL 508

12 Terms and abbreviations

ESPE		Electro-Sensitive Protective Equipment.
Cat.	Category	Category Classification of the safety-related parts of a controller as regards their resistance to failures.
CCF	Common Cause Failure	Common cause failure.
DC	Diagnostic Coverage	Diagnostic coverage.
MTTF	Mean Time to Failure	Mean time to failure.
MTTF _D	Mean Time To Dangerous Failure	Mean time to dangerous failure.
OSSD	Output Signal Switching Device	Switching output triggering the safety circuit
PFH (PFH _D)	Probability of (dangerous) Failure per Hour	Probability of a (dangerous) failure per hour.
PL	Performance Level	PL to EN ISO 13849-1
SIL	Safety Integrity Level	SIL 1-4 to IEC 61508
PLC		Programmable Logic Controller

UK

Technical data and further information at
www.ifm.com