

Amplifiers

Series KUA

Automatic adjustment on medium

For sensors KGFT up to +230 °C

Cable break monitoring

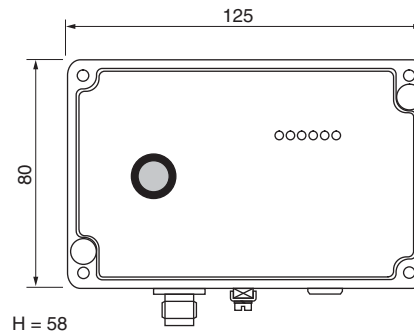
LED display



Design

KUA 120 GSOP

Dimensions



Switching point sp
Switching output

automatic adjustment by push-button or control input



ID-No.

P21190

Type

KUA 120 GSOP

Supply voltage [V]

18...30 DC

Current consumption [mA]

approx. 100

Switching current max. [mA]

100

Hysteresis [%]

10

Switching frequency [Hz]

10

Ambient temperature [°C]

0...+60

EMC-class

A

Protection [EN 60529]

IP 65

LEM-Connection

IP 54

LED display

LED-array

Cable break monitoring

•

Housing material

Aluminium

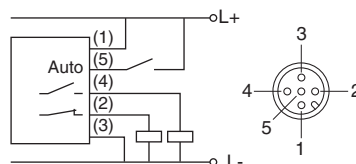
Sensor Connection

LEM 01 plug

Connection

M12 connector

The capacitive amplifier is designed to be connected to the level controller of type KGFT... The adjustment depending on different media or installation situations is carried out by automatic adjustment.



	unbetätigt	betätigt	Kabelbruch
LED-Zeile	●○○○○○	○●●○○○	●●●●●●
Schaltausgang Schliesser	—/—	—/—	—/—
Schaltausgang Öffner	—/—	—/—	—/—

Accessories

Connecting cable type SLG 5... or SLW 5..., see page 2.42