

## Special functions • Washing resistant

### Series IDKW - Proximity switches

DC 10...30 V

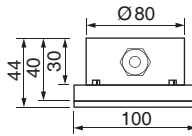
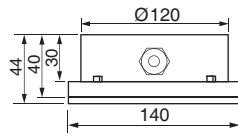
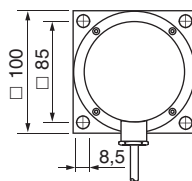
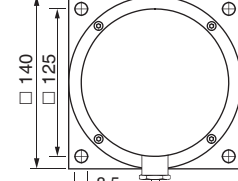


110 °C Permanent temperature

Resistant to hot steam

Resistant to detergents

IP 68 + IP 69K



Design	DC PNP • Ø80 mm	DC PNP • Ø120 mm
Dimensions		
Installation non flush (nf)		
Operating distance sn [mm]	55 nf	90 nf
Switching output PNP		
ID-No.	P31214	P31177
Type	IDKW 080 GSP	IDKW 120 GSP
Supply voltage [V]	10...30 DC	
Switching current [mA]	300	
Hysteresis	<0.1 Sn	
Voltage drop max. [V]	2	
Current consumption [mA]	10	
Switching frequency [Hz]	30	
Ambient temperature [°C]	-20...+110	
Limiting temperature [°C]	120	
Temperature deviation [%]	≤10	
EMC-class	A	
Protection [EN 60529]	IP 68 + IP 69K	
Housing material	PP / AISI 316 Ti	
Sealing material	EPDM	
Connection	5 m FEP-cable 3x0.75 mm <sup>2</sup> , shielded	
Switching current	