

Inline-Compact

Series SDNC 503

DC 24 V

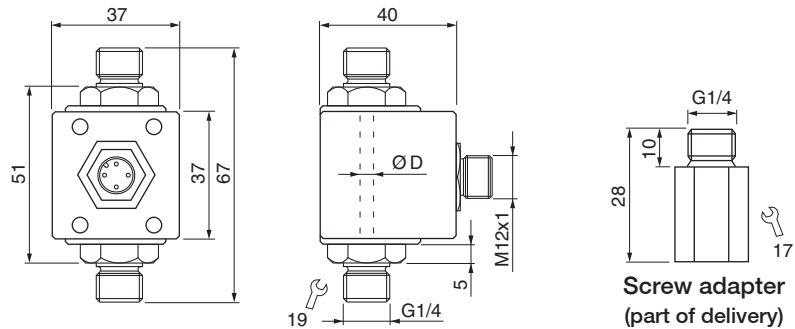
Flow monitoring of
50 up to 2000 ml/min

Can be easily integrated in the tubing
Immediately ready for use – no adjustment



Design **G1/4 • Ø3.6 mm**

Dimensions



Detection range	[l/min]	water 0.05...1.0	water 0.2...2.0	water 0.05...1.0	water 0.2...2.0
Inner diameter D	[mm]	3.6	3.6	3.6	3.6
Output		4...20 mA, linear	4...20 mA, linear	pulse, linear	pulse, linear
ID-No.		P11342	P11343	P11344	P11345
Type		SDNC 503 GA-10	SDNC 503 GA-20	SDNC 503 GP-10	SDNC 503 GP-20
Supply voltage	[V]	24 DC ±10%			
Current consumption	[mA]	≤ 70			
Load R _L	[Ω]	200...500	200...500	≥ 1000	≥ 1000
Pulse output	[ml/Puls]	-	-	1	1
Ambient temperature	[°C]	0...+60			
Medium temperature	[°C]	0...+60			
Reaction time typ.	[s]	1 (0.5...10)			
Compressive strength	[bar]	10			
Sensor material		AISI 316 Ti			
Housing material		PBT-GF30			
Protection	[EN 60529]	IP 67			

Connection **M12 connector**



Accessories **connecting cable type SLG, SLW, see page 1.91**