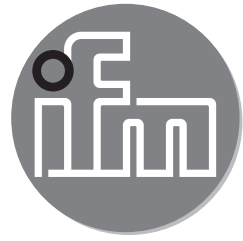


ifm electronic



Installation instructions  
Siphons

**efectorsoo®**

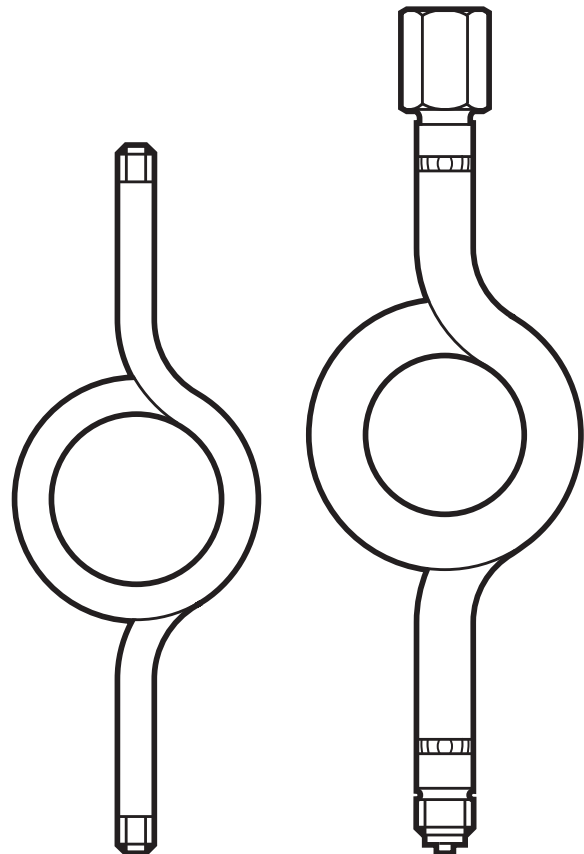
**E30140**

**E30141**

**UK**

06 / 2014

80012031 / 00



# 1 Symbols used

→ Cross-reference



Important note

Non-compliance can result in malfunction or interference.



Information

Supplementary note.

## 2 Safety instructions

- Please read this document prior to set-up of the unit. Ensure that the product is suitable for your application without any restrictions.
- If the operating instructions or the technical data are not adhered to, personal injury and/or damage to property can occur.
- Improper or non-intended use of the article may lead to unwanted effects in your application. That is why installation, set-up and maintenance of the article must only be carried out by qualified personnel authorised by the machine operator.
- In order to guarantee the correct condition of the device for the operating time it is necessary to use the device only for media to which the wetted materials are sufficiently resistant (→ Technical data).
- The responsibility whether the devices are suitable for the respective application lies with the operator. The manufacturer assumes no liability for consequences of misuse by the operator. Improper installation and use of the devices results in a loss of the warranty claims.

## 3 Functions and features

Siphons are used to protect pressure gauges against heating due to hot media:



The extent of the obtained temperature reduction depends on the medium used. The maximum pressures and temperatures are indicated in the corresponding data sheets.

## 4 Installation

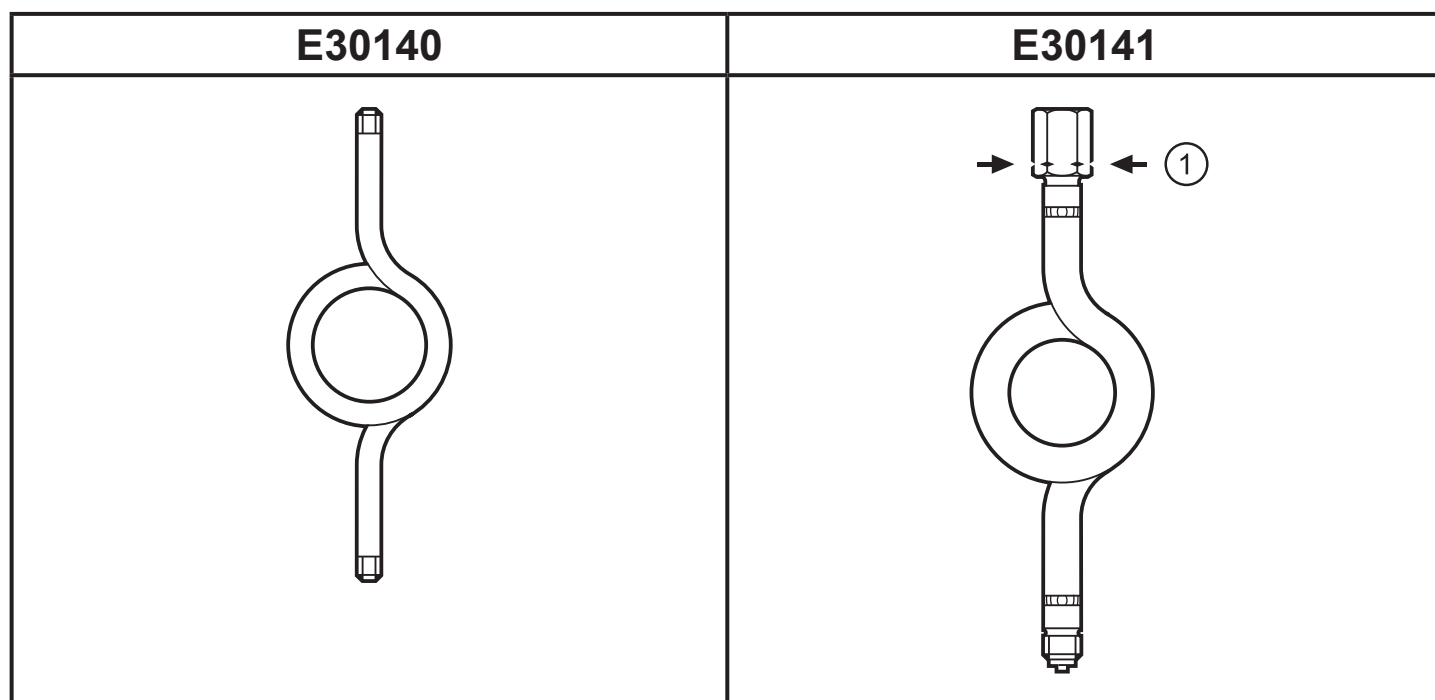


To prevent material damage and injuries, please note the following:

- To ensure the correct function: Install siphons upwards in a vertical direction (see drawing below)!
- Installation and removal must be carried out when no pressure is applied. Even when no pressure is applied, the components can still be very hot!
- Note that small quantities of the medium can leak when removing the device. Therefore: ensure reasonable protection (e.g. protective goggles and protective gloves)!

UK

Correct installation position:



1: The markings show where the left-hand thread begins.

## 5 Technical data and scale drawing

Technical data and scale drawing at [www.ifm.com](http://www.ifm.com) → Data sheet search → Enter the article number.

More information at [www.ifm.com](http://www.ifm.com)