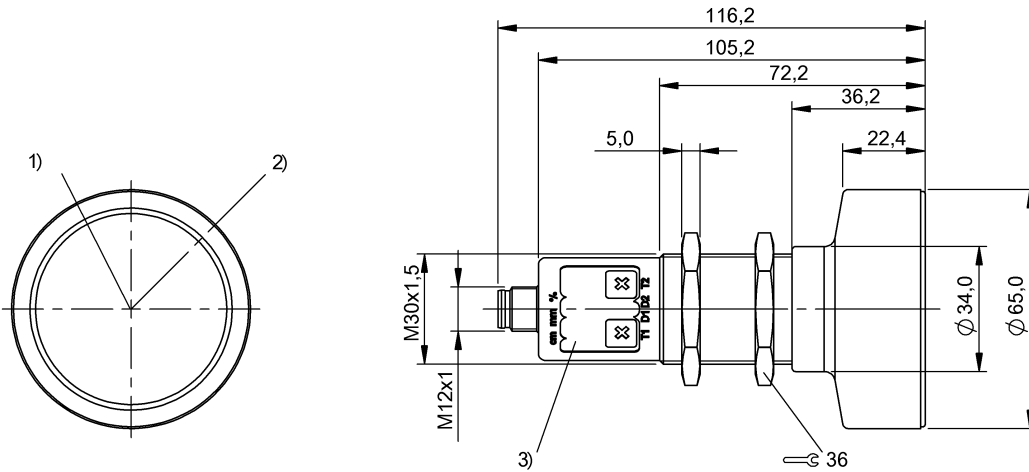


BUS M30M1-XC-60/600-S92K BUS0041



1) Ultrasonic transducer axis 2) Exit direction 90° connector 3) Display and control panel



Display/Operation

| | |
|---------------------|---|
| Adjuster Setting | Key (2x) Filter strength (10 levels) Segment displ. bright/dark/off Synchronous/Multiplex mode Response delay 0 to 20 s Foreground suppression range Multiplex sensor address Sensor calibration Temperature comp. on/off Output curve rising/falling Analog output U/I/Auto Segment display mode Synchronization on/off Multiplex speed Measured value filter Hysteresis Detection range (3 levels) Teach-in mode display/button Factory setting (Reset) Key disable on/off Operating mode Switching distance, 2 values Normally open/Normally closed Output curve window |
|---------------------|---|

| | |
|-------------------------------|---------------------------|
| Output characteristic | linear rising/falling |
| Rated operating voltage Ue DC | 24 V |
| Synchronization | internal, max. 10 sensors |
| Ultrasonic frequency | 80 kHz |

Environmental conditions

| | |
|---------------------------|-------------|
| Ambient temperature | -25...70 °C |
| Ambient temperature max. | 70 °C |
| Ambient temperature min. | -25 °C |
| Protection type IEC 60529 | IP67 |
| Storage temperature | -40...85 °C |

Functional safety

| | |
|---------------------|------|
| Diagnostic coverage | 0 % |
| Functional safety | no |
| Mission Time | 10 a |

General data

| | |
|---------------------|-----------------------------------|
| Application | Distance measurement |
| Approval/Conformity | CE |
| Operating mode | Analog measurement (output curve) |
| Series | M30M1 |

Electrical connection

| | |
|-----------------------------|------------|
| Connection | M12x1-Male |
| Polarity reversal protected | yes |
| Short-circuit protection | yes |

Electrical data

| | |
|------------------------------------|--|
| Current draw max. | 80 mA |
| Load resistance RL max. (Analog I) | 500 Ohm at UB 20 V 100 Ohm at UB 20 V |
| Load resistance RL min. (Analog V) | 100 kOhm at UB 15 V |
| MTTF (40 °C) | 178 a |
| Operating voltage Ub | 9...30 VDC |

Material

| | |
|--------------------------|-------------------------|
| Housing material | Brass PBTTTPU |
| Material sensing surface | PU foamEpoxy resinGlass |
| Surface protection | nickel plates |

BUS M30M1-XC-60/600-S92K BUS0041

Mechanical data

Fastening detail Nut M30x1.5

Output/Interface

Analog output Analog, voltage/analog, current, 0...10 V/4...20 mA
 Input function Synchronization signal

Range/Distance

Measuring range 600...8000 mm
 Range 600...8000 mm

Rated operating distance S_n 6000 mm
 Repeat accuracy $\pm 0.15\%$ FS
 Resolution ≤ 0.180 mm

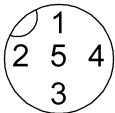
Remarks

The sensor is functional again after the overload has been eliminated.
 Reference object for S_n : Tube $\varnothing 27$ mm. Max. range applies to aligned plate.
 Do not press key using a pointed tool.
 Order accessories separately.
 For additional information, refer to user's guide.

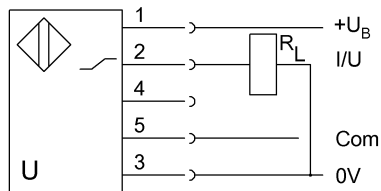
For further information on MTTF/B10d, please refer to the MTTF / B10d Certificate.

Specification of the MTTF value and the B10d value do not represent any binding quality and/or life expectancy guarantees.

Pin Assignment



Wiring Diagramm



Additional View

