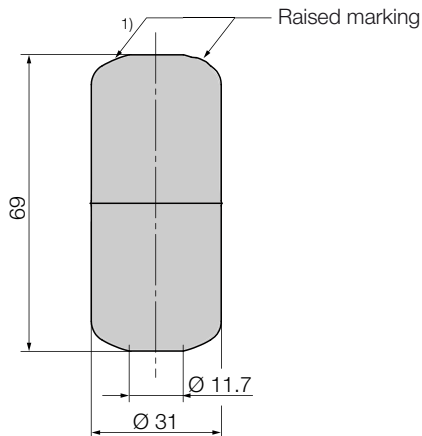


# BTL7-A/C/E5\_\_-M\_\_\_\_-SF-F\_\_ Magnetostrictive Linear Position Sensor – Rod Style

## 11 Accessories

Accessories are not included in the scope of delivery and must be ordered separately.

### 11.1 BTL-S-3112-4Z and BTL-S-3112-4Z-SA10 floats



<sup>1)</sup> Only with BTL-S-3112-4Z-SA10

Fig. 11-1: Float BTL-S-3112-4Z

	BTL-S-3112...	
	...-4Z	...-4Z-SA10
Order code	<b>BAM01A2</b>	<b>BAM01KA</b>
Number of markings	1	2
Pressure rating	≤ 4 bar	≤ 25 bar
Weight	30 g	
Housing	Stainless steel 1.4404, electropolished	
Ambient temperature	-20 °C...+130 °C	

Tab. 11-1: Technical data – float

#### Included in the scope of delivery for the float:

- Float
- Instructions
- Cotter pin (spring pin 2x30)

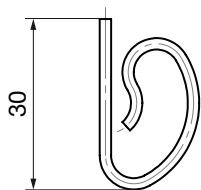


Fig. 11-2: Spring pin 2x30

### 11.2 Tri-clamp BAM MC-XA-006-D38, 1-5

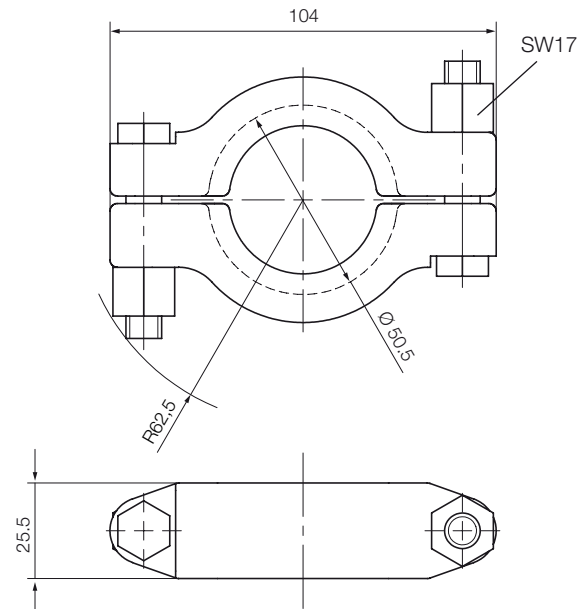


Fig. 11-3: BAM MC-XA-006-D38, 1-5

Material: USA ASTM 316 (1.4401)

Order code: BAM01A5

### 11.3 Seal BAM SE-XA-002-D38, 1-S

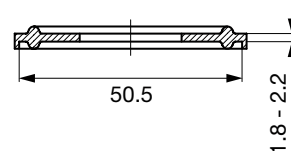


Fig. 11-4: BAM SE-XA-002-D38, 1-S

Material: Silicone

Order code: BAM01A4

### 11.4 Calibration box

#### BTL7-A-CB02-K

Scope of delivery:

- Calibration box
- 2 adapter cables, each approx. 0.3 m/0.6 m
- Condensed guide

**11** Accessories (continued)

**11.5 Welded port BAM AD-XA-003-D38, 1-5**

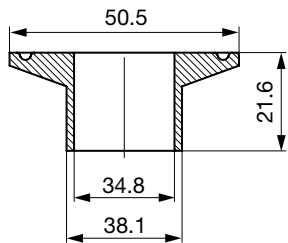


Fig. 11-5: BAM AD-XA-003-D38, 1-5

Material: Stainless 1.4435 BN2 (Fe < 0.5 %) per EN 10088

Order code: BAM01A3

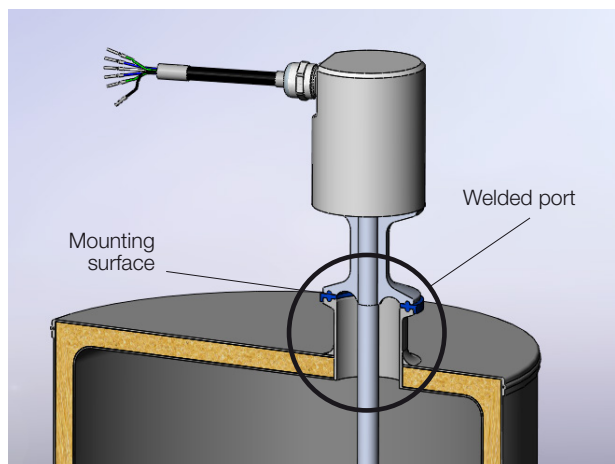


Fig. 11-6: Installing the BTL

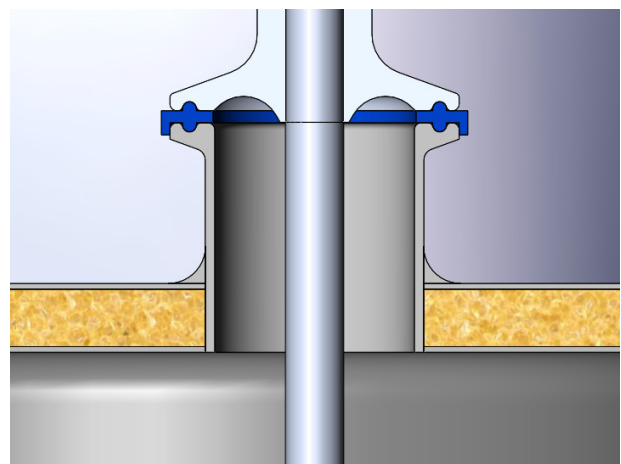


Fig. 11-7: Welded flush on the inside and polished

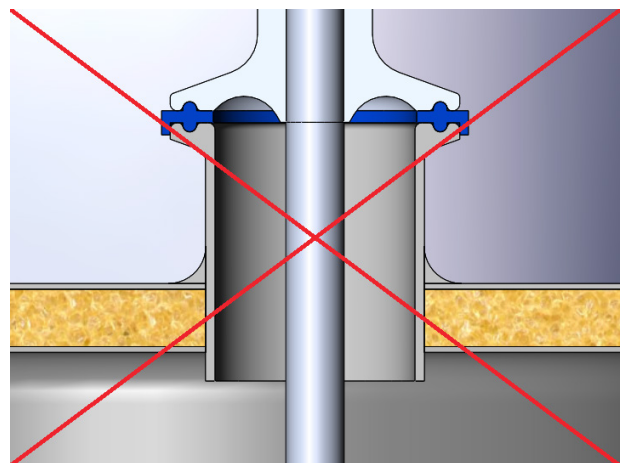


Fig. 11-8: Welded non-flush on the inside and polished