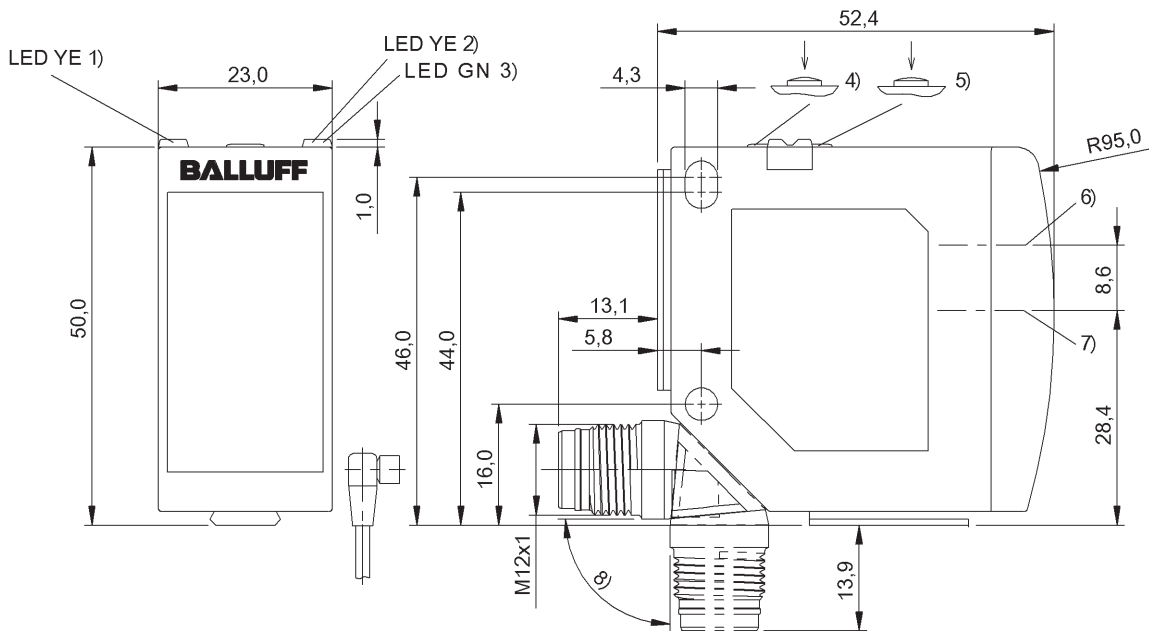


LASER CLASS 1 per IEC 60825-1:  
 2003-10



1) Output function Q1 2) Output function Q2 3) Power 4) Adjust Q1 5) Adjust Q2 6) Optical axis emitter 7) Optical axis receiver 8) 270° rotatable

- Photoelectric sensor
- Series 23K
- Laser red light



**General attributes**

Approvals / Conformity  
 Basic standard  
 Enclosure Type DIN 40050  
 Enclosure Type per IEC 60529  
 Indicator  
 Input function  
 Polarity reversal protected  
 Series  
 Short circuit protected  
 Electrical attributes  
 Connection type  
 Eff. operating current I<sub>e</sub>  
 Eff. operating voltage U<sub>e</sub> DC  
 Electrical version  
 No-load current max. I<sub>o</sub> at U<sub>e</sub>  
 Operating voltage U<sub>B</sub> max. DC [V]  
 Operating voltage U<sub>B</sub> min. DC [V]

CE  
 Ecolab  
 IEC 60947-5-2  
 IPx9K  
 IP6x  
 Output function - LED YE  
 Power - LED GN  
 Same function as key  
 Key disable on/off  
 yes  
 Series 23K  
 yes  
 Connector  
 100 mA  
 24.0 V  
 DC, direct current  
 60 mA  
 30.0 V  
 18.0 V

Ripple max. (% of U<sub>e</sub>)  
 Switching freq. f max. (at U<sub>e</sub>)  
 Switching function  
 Turn on time t<sub>on</sub> max.

10 %  
 500 Hz  
 NO/NC  
 1.00 ms

**Mechanical attributes**

Ambient temperature T<sub>a</sub> max.  
 Ambient temperature T<sub>a</sub> min.  
 Eff. operating distance S<sub>r</sub>  
 Housing material  
 Length 1  
 Length 2  
 Length 3  
 Minimum operating distance  
 Mounting type  
 Range S<sub>n</sub>  
 Sensing face material  
 Style  
 Tightening torque max.

60 °C  
 -40 °C  
 5000 mm  
 PC-ABS  
 23.0 mm  
 52.4 mm  
 51.0 mm  
 0 mm  
 Screw M4  
 S<sub>n</sub> = 5 m, adjustable  
 PMMA  
 Block, rotatable connection  
 1.5 Nm

**Optical attributes**

Ambient light max.

5,000 Lux

Photoelectric sensor  
**BOS 23K-UU-LH11-S92**  
**Order code: BOS01UW**

Average power  $P_o$  max.  
 Laser Class per IEC 60825-1  
 Light type  
 Optical special feature  
 Principle of optical operation  
 Switching function, optical  
 Wavelength

< 390  $\mu$ W (IEC 60825-1)  
 1  
 Laser red light  
 Background suppression  
 Time of flight measurement  
 NO/NC: light-on/dark-on  
 655 nm

**Additional text**

The sensor is functional again after the overload has been eliminated.  
 Reference object (target): Gray card, 200 x 200,

90 % remission, axial approach.  
 For additional information, refer to user's guide.  
 Order accessories separately.  
 Do not press key using a pointed tool.

&[Date]

