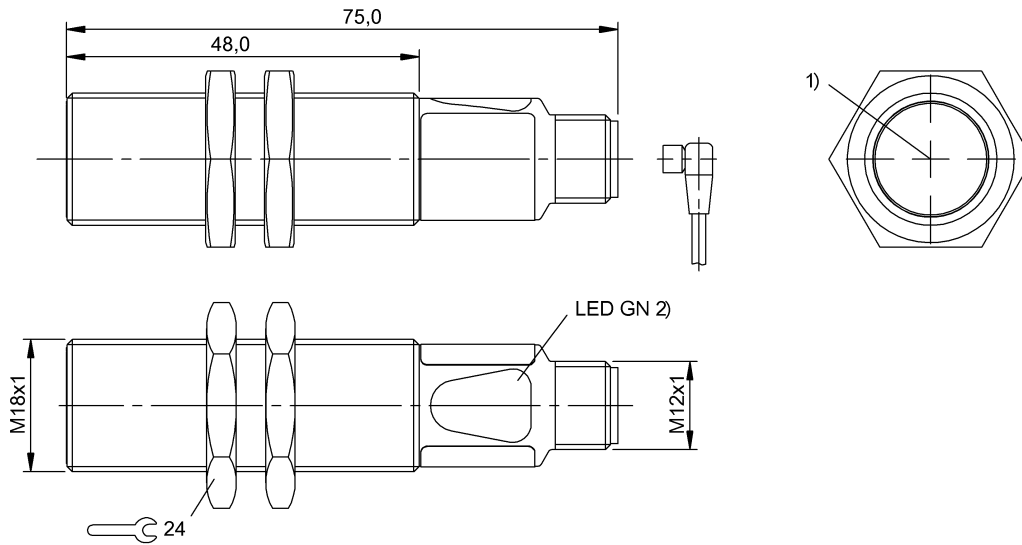


BOS 18M-X-IS23-S4 BOS01HM



1) Optical axis 2) Operating voltage



Display/Operation

Adjuster no

Electrical connection

Connection M12x1-Connector, 4-pole, A-coded
Contact, surface protection Gold plated
Polarity reversal protected yes

Electrical data

No-load current I_0 max. at U_e 30 mA
Operating voltage U_b 10...30 VDC
Pollution degree 3
Protected against miswiring yes
Rated insulation voltage U_i 75 V DC
Rated operating voltage U_e DC 24 V

Environmental conditions

Ambient temperature -5...55 °C
Protection class II
Protection type IEC 60529 IP67

General data

Approval/Conformity CE, cULus
Basic standard IEC 60947-5-2
Reference receiver BOS 18M-PS-IE23-S4
Series 18M
Style Cylinder, Straight optics

Internet www.balluff.com
Balluff Germany +49 (0) 7158 173-0, 173-370
Balluff USA 1-800-543-8390
Balluff China +86 (0) 21-50 644131

Trademark

Global

Material

Housing material Brass
Material sensing surface Glass
Surface protection nickel plates

Mechanical data

Dimension \varnothing 18 x 75 mm
Fastening detail Nut M18x1
Tightening torque max. 15 Nm, 30 Nm

Optical data

LED group per IEC 62471 Exempt Group
Light type Infrared
Principle of optical operation Through-beam sensor (Emitter)
Wave length 850 nm

Range/Distance

Measuring range 0...50 m
Range 0...50 m
Rated operating distance S_n 50 m
Ripple max. (% of U_e) 15 %

Remarks

Order accessories separately.
For additional information, refer to user's guide.

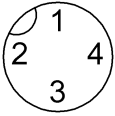
For definitions of terms, see main catalog
Subject to change without notice

eCI@ss 9.1: 27-27-09-01
ETIM 6.0: EC002716
BOS01HM_14-03-17_19:22

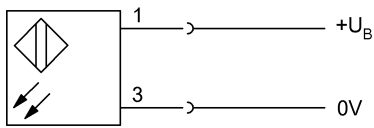
1(2)

BOS 18M-X-IS23-S4
BOS01HM

Connector view



Wiring Diagram



1) Emitter

Symbols for Optoelectronic Sensors

