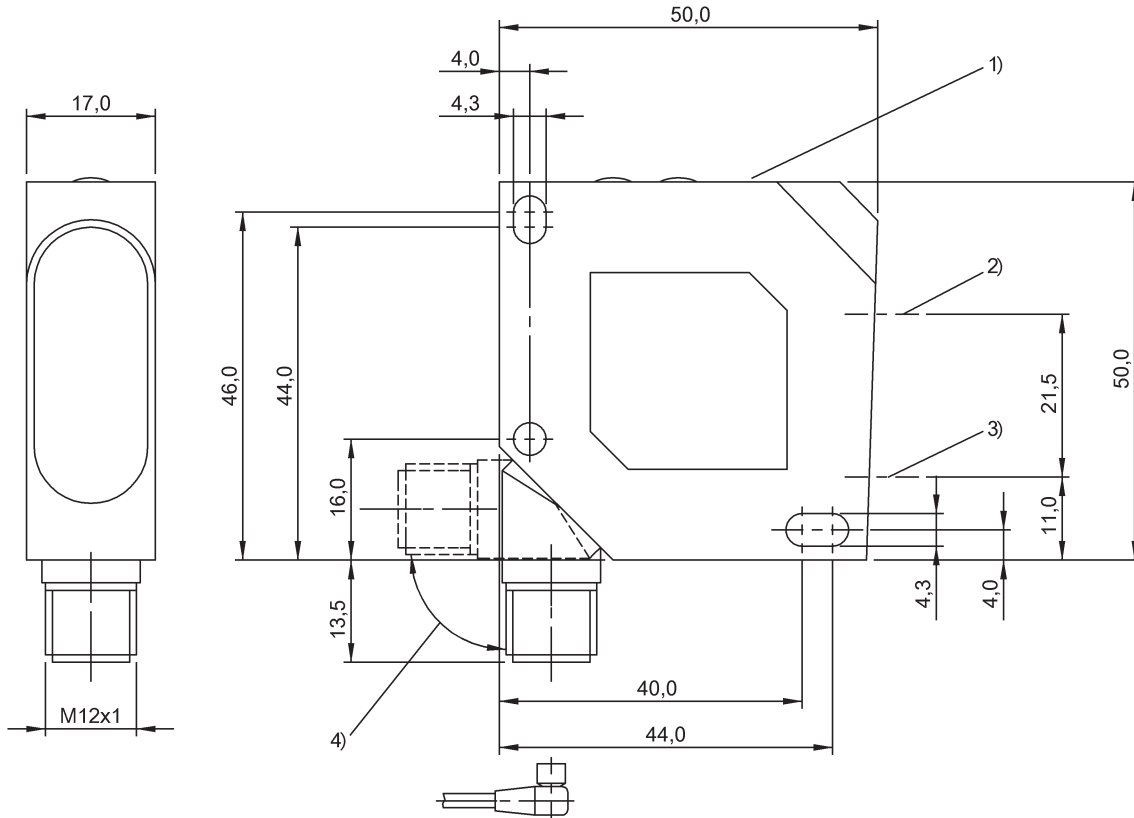


LASER RADIATION- DO NOT STARE INTO THE BEAM!

LASER CLASS 2 per IEC 60825-1: 2003-10



1) Display and control panel 2) Optical axis emitter 3) Optical axis receiver 4) 270° rotatable

- Block, rotatable connection
- RS485



LISTED IND. CONT. EQ. 77HA
for use in the secondary of
a class 2 source of supply

General attributes

Adjuster
Approvals / Conformity

Basic standard
Duration of time function
Enclosure Type per IEC 60529
Indicator

Input function

Polarity reversal protected
Protection Class
Series

Key (2x)
cULus
CE
IEC 60947-5-2, IEC 60947-5-7
50 ms
IP67
Function selected - LED RD
Output function - LED YE
Stability - LED GN
Aux. function active - LED GN
Time function active - LED GN
Ready - LED GN
Input function - LED GN
Setting mode - LED GN, flash.
Emitter on/off
Trigger
Yes
II
Series 26K

Setting

Short circuit protected
Time function
MTTF

Electrical attributes

Analog output
Connection type
Eff. operating current I_e
Eff. operating voltage U_e DC
Electrical version
Interface
Load capacitance max. (at U_e)
Load res. R_L max. (analog I)
No-load current max. I_o at U_e
Operating voltage U_B max. DC [V]
Operating voltage U_B min. DC [V]

Key lock on/off
Switching distance, 2 values
Working range
Turn-off delay on/off
Output curve sel. off/0%/50%
Analog output mode
Master/Slave at Diff.-mes.
Output/input select Q1
Switching/auxil. output for Q2
Mean value mode off/4ms/40ms
Light-on/dark-on
Input mode Q1
Factory setting (Reset)
Yes
Turn-off delay
9 a

Analog I
Connector
100 mA
24.0 V
DC, direct current
RS485
0.10 µF
500 Ohm
40 mA
30.0 V
18.0 V

BOD 26K-LBR05-S115-C
BOD000E

Output characteristic	Linear rising/falling
Output curve deviation max.	0.25 % of Wh
Rated insulation voltage Ui	50 V DC
Response time max.	0.4/4/40 ms
Switching freq. f max. (at Ue)	1000 Hz
Switching function	NO/NC
Switching output	PNP (2x)
Turn on time ton max.	0.5 ms
Value range analog	4...20 mA

Minimum operating distance	80 mm
Mounting type	Screw M4
Near working distance WI	80 mm
Range Sn	Sn = 300 mm, adjustable
Resolution	0.1 % v. Wh
Sensing face material	PMMA
Style	Block, rotatable connection
Temperature drift max.	0.02 %/K (% v. Wh)
Working range	80...300 mm adjustable

Mechanical attributes

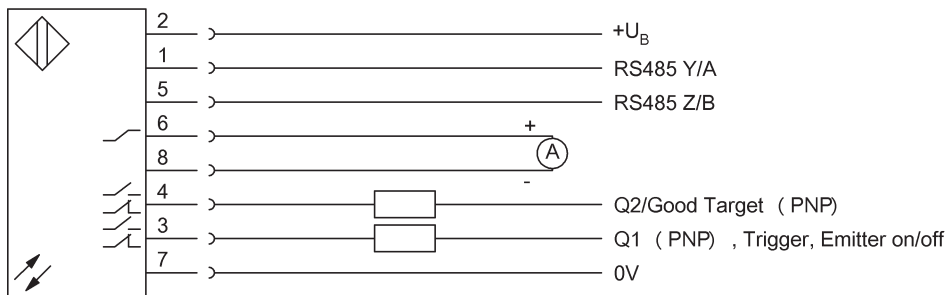
Ambient temperature Ta max.	60 °C
Ambient temperature Ta min.	-10 °C
Connector type	M12x1-S115
Detection range Sd	80...300 mm
Eff. operating distance Sr	300 mm
Far working distance Wh	300 mm
Housing material	ABS
Length 1	17.0 mm
Length 2	50.0 mm
Length 3	50.0 mm

Remarks

Order accessories separately.
Only for NFPA 79 applications (machines with a supply voltage of maximum 600 volts).
Device shall be connected only by using any R/C (CYJV2) cord, having suitable ratings.

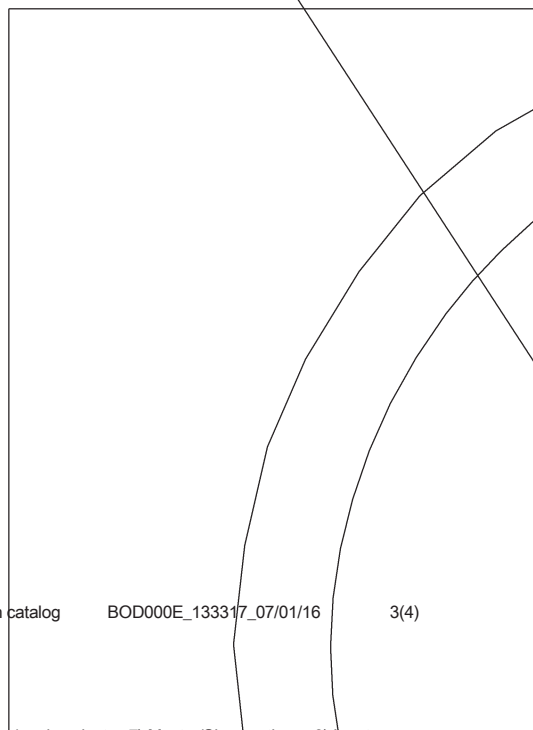
For further information on MTTF/B10d, please refer to the MTTF / B10d Certificate.

Specification of the MTTF value and the B10d value do not represent any binding quality and/or life expectancy guarantees.



LED RD 1)

LED



70

Photoelectric distance sensor
BOD 26K-LBR05-S115-C
BOD000E

BALLUFF
sensors worldwide