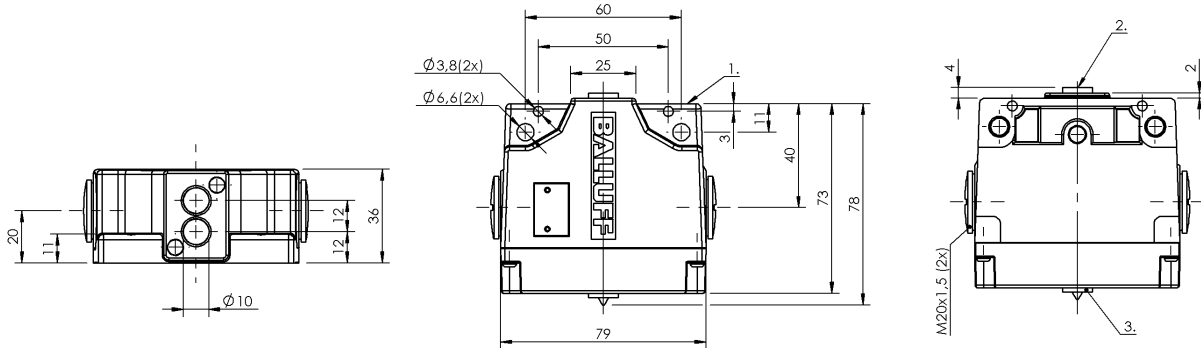


BNS 816-B02-PA-12-610-11 BNS03EA



1) Reference edge 2) Sensing surface 3) Function indicator FD/FE/LL



Display/Operation

Function indicator	1-2. Switch position: Optical fiber
--------------------	-------------------------------------

Electrical connection

Connection type	1-2. Switch position: Screw terminal
Electrical version	3-/4-wire

Electrical data

Continuous current	1-2. Switch position: 0.2 A
Rated operating voltage U _e	1-2. Switch position: 24 VDC

Environmental conditions

Ambient temperature	-25...70 °C
Ambient temperature max.	70 °C
Ambient temperature min.	-25 °C
Protection type IEC 60529	IP67

Functional safety

Diagnostic coverage	0.0 %
Functional safety	no
Mission Time	20 a
MTTF (40 °C)	BES 517-110: 490 a

General data

Approval/Conformity	CE
Basic standard	IEC 60947-5-2

Operating principle
Version

1-2. Switch position: Inductive
Inductive

Material

Housing material	Aluminum
Surface protection	Anodized

Mechanical data

Dimension	Ø 10 x 77.5 mm
Distance cam - active surface	1-2. Switch position: 0...1.62 mm
Flange, feed-through	None
Installation	Vertical
Plunger spacing 1st switch position	12 mm
Switching element	1-2. Switch position: BES 517-110

Output/Interface

Switching output	PNP (antivalent)
------------------	---------------------

Range/Distance

Assured operating distance Sa	1-2. Switch position: 1.6 mm
Range	2 mm
Rated operating distance S _n	1-2. Switch position: 2.0 mm
Switch position spacing	12 mm

Specification of the MTTF value and the B10d value do not represent any binding quality and/or life expectancy guarantees.

Note that the products listed here are not themselves safety components according to the Machine Directive 2006/42/EG Article 2 c. It is however possible to create corresponding structures with a high Performance Level per EN 13849-1 by means of two-channel utilization.

BNS 816-B02-PA-12-610-11
BNS03EA

Wiring Diagramm

