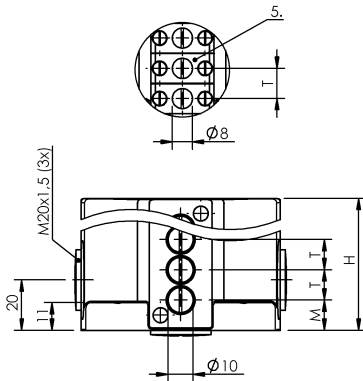


**BNS 819-B02-D12-61-12-10-FD**  
**Ordering code: BNS026T**

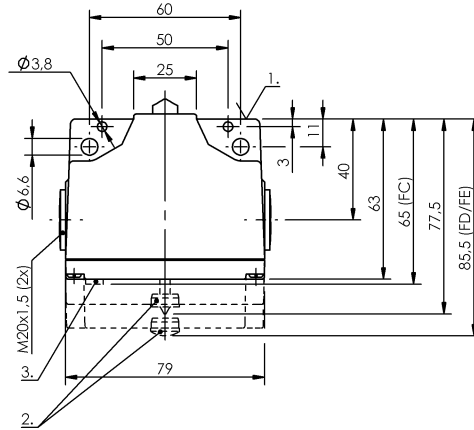
**Mechanical multiple position switches**

**PlungerChisel**  
**Operating Display6...60 V AC/DC**  
**No. of switch positions2**

**BALLUFF**  
*sensors worldwide*

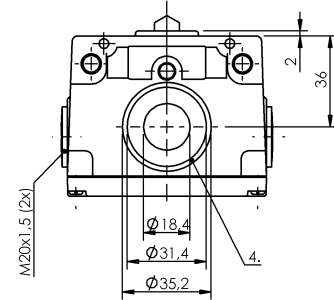


Gehäuse B/Housing B



Gehäuse B (Standard)/Housing B (Standard)

M=12	BNS..61-12..
M=16	BNS..61-16..
M=24	BNS..61-24..
M=30	BNS..61-30..



Gehäuse C/Housing C

**Characteristic data**

Plunger block	No
Function indicator	1st pos.: FD - 6...60 V 2nd pos.: FD - 6...60 V
Degree of protection as per IEC 60529	IP67

**Electrical data**

Plunger	BSE 30.0
Rated operating voltage Ue	1st pos.: 250 V AC 2nd pos.: 250 V AC
Continuous current	6 A
Switching function mech	One NO and one NC

**Mechanical data**

Design	61
Depth	85,5 mm
Mechanical installation condition	Vertical
Shock rating	max. 100g / 2ms
Vibration rating	10-500 Hz, 3 mm pp, 20 g
Ambient temperature Ta max.	85 °C
Ambient temperature Ta min.	-5 °C
Housing material	Aluminum
Type	Snap contact
Contact material	2nd pos.: silver, gold plated
Repeatability max.	1st pos.: +/-0.002 mm 2nd pos.: +/-0.002 mm
Plgr. dist. 1st switch pos.	12 mm
Dist. cam to reference edge	1st pos.: 5 - 0.5 mm 2nd pos.: 5 - 0.5 mm
Type	Mech. multiple position

**Operating principle**

Connection	1st pos.: mechanical 2nd pos.: mechanical
Plunger material	1. screw terminal, 2. screw terminal 1st pos.: stainless steel 2nd pos.: stainless steel
Approach speed	1st pos.: 40 m/min 2nd pos.: 40 m/min
Spacing T	12 mm
Switching rate	1st pos.: max. 300/min 2nd pos.: max. 300/min
Flange feed-through	None
Mechan. life expectancy min.	1st pos.: 30 mil. operations 2nd pos.: 30 mil. operations
Approach direction	Lengthwise, par. to mtg. surf.
Housing finish	Eloxal
Switching operation force	1st pos.: min. 20 N 2nd pos.: min. 20 N
Connector	None
Plunger diameter	10 mm
Plunger style	1st pos.: Chisel 2nd pos.: Chisel
Switching element	1st pos.: BSE 30.0 2nd pos.: BSE 30.0

**Basic data**

DIN switch	No
Additional features 1	None



Definitions see main catalog

**BNS 819-B02-D12-61-12-10-FD**  
**Ordering code: BNS026T**  
Mechanical multiple position switches

PlungerChisel  
Operating Display6...60 V AC/DC  
No. of switch positions2

**BALLUFF**  
*sensors worldwide*

subject to change