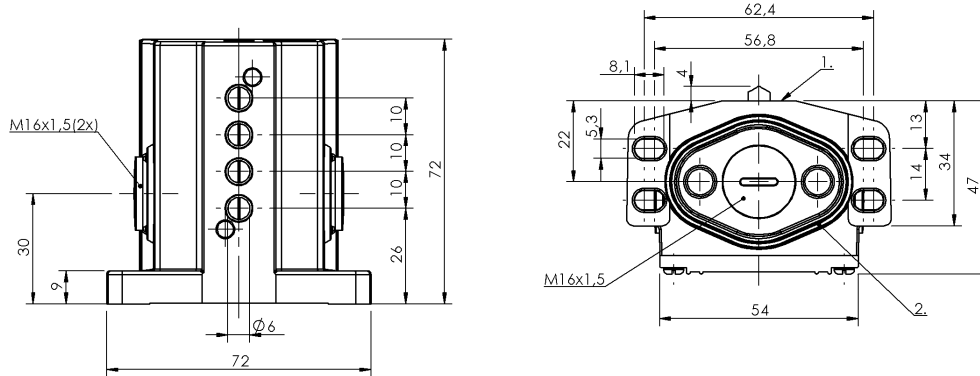


## BNS 819-B04-D10-46-11 BNS01W3



1) Reference edge 2) Sealing ring



### Display/Operation

Function indicator 1-4. Switch position: None

### Electrical connection

Connection type 1-4. Switch position: Screw terminal

### Electrical data

Continuous current 1-4. Switch position: 5 A  
 Rated operating voltage  $U_e$  1-4. Switch position: 250 VAC  
 Switching function mechanical Single-pin changeover  
 Switching rate 1-4. Switch position: 200/min

### Environmental conditions

Ambient temperature -5...85 °C  
 Ambient temperature max. 85 °C  
 Ambient temperature min. -5 °C  
 Protection type IEC 60529 IP67

### Functional safety

B10d BSE 70.1: 10 mil. switching cycles  
 Diagnostic coverage 0.0 %  
 Functional safety no  
 Mission Time 20 a

### General data

Approval/Conformity CE  
 CCC  
 Basic standard IEC 60947-5-1  
 Operating principle 1-4. Switch position: Mechanical  
 Version Snap contact

### Material

Housing material Aluminum  
 Material contacts 1-4. Switch position: Silver  
 Plunger material 1-4. Switch position: 1.4034  
 Surface protection Anodized

### Mechanical data

Approach direction longitudinal, parallel to attachment surface  
 Approach speed 1-4. Switch position: 20 m/min  
 Dimension 72 x 72 x 47 mm  
 Distance cam - reference edge 1-4. Switch position: 2.30... 2.80 mm  
 Flange, feed-through 1 threaded exit M16  
 Installation Vertical  
 Life expectancy mechanical 1-4. Switch position: 10 mil. switching operations  
 Number of switching positions 4x Chisel  
 Plunger spacing 1st switch position 26 mm  
 Switch actuation force 1-4. Switch position: 8 N  
 Switching element 1-4. Switch position: BSE 70.1

BNS 819-B04-D10-46-11  
BNS01W3

Range/Distance

Reproducibility  
Switch position spacing

1-4. Switch position:  $\pm 0.02$  mm  
10 mm

## Wiring Diagramm

