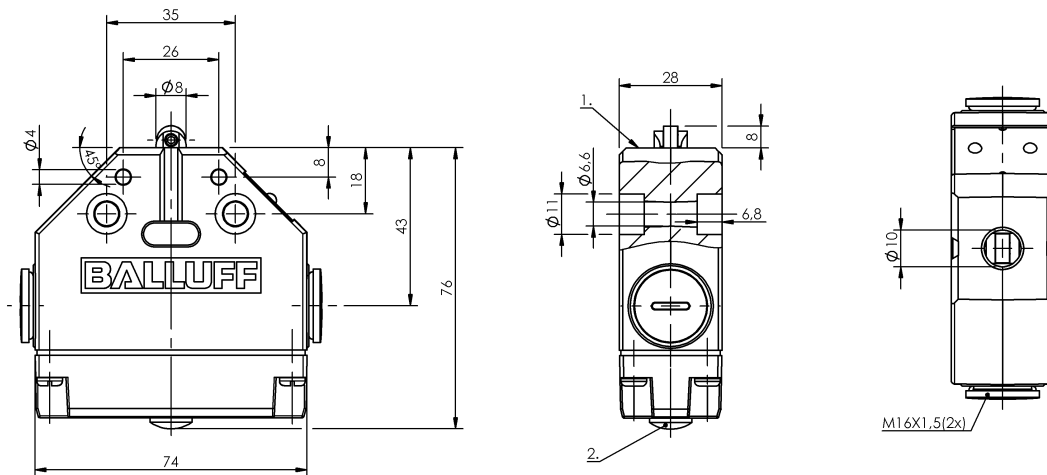


## BNS 819-FR-60-101-FD BNS0014



1) Reference edge 2) Function indicator FD/FE/LL



### Display/Operation

Function indicator	1. Switch position: FD - 6...60 V
--------------------	-----------------------------------

### Electrical connection

Connection type	1. Switch position: Screw terminal
Connector configuration	undefined

### Electrical data

Continuous current	1. Switch position: 6 A
Rated operating voltage U <sub>e</sub>	1. Switch position: 250 VAC
Switching function mechanical	Double-interrupting galvanically isolated One NO and one NC Dual changeover
Switching rate	1. Switch position: 300/min

### Environmental conditions

Ambient temperature	-5...85 °C
Ambient temperature max.	85 °C
Ambient temperature min.	-5 °C
Protection type IEC 60529	IP67

### Functional safety

B10d	BSE 30.0: 30 mil. switching cycles
Diagnostic coverage	0.0 %
Functional safety	no
Mission Time	20 a

### General data

Approval/Conformity	CE CCC
Basic standard	IEC 60947-5-2
DIN switch	DIN 43693
Operating principle	1. Switch position: Mechanical
Version	Snap contact

### Material

Housing material	Aluminum
Material contacts	1. Switch position: Silver, gold plated
Plunger material	1. Switch position: 1.4034
Surface protection	Anodized

### Mechanical data

Approach direction	lateral or at right angles to mounting surface
Approach speed	1. Switch position: 60 m/min
Dimension	74 x 28 x 76.5 mm
Distance cam - reference edge	1. Switch position: 4.50...5.00 mm
Flange, feed-through	None
Installation	any
Life expectancy mechanical	1. Switch position: 30 mil. switching operations
Number of switching positions	1x Roller
Plunger spacing 1st switch position	14 mm
Switch actuation force	1. Switch position: 20 N
Switching element	1. Switch position: BSE 30.0

## BNS 819-FR-60-101-FD BNS0014

### Range/Distance

Reproducibility

1. Switch position:  $\pm 0.01$  mm

Specification of the MTTF value and the B10d value do not represent any binding quality and/or life expectancy guarantees.

Note that the products listed here are not themselves safety components according to the Machine Directive 2006/42/EG Article 2 c. It is however possible to create corresponding structures with a high Performance Level per EN 13849-1 by means of two-channel utilization.

### Wiring Diagramm

BSE 30.0

