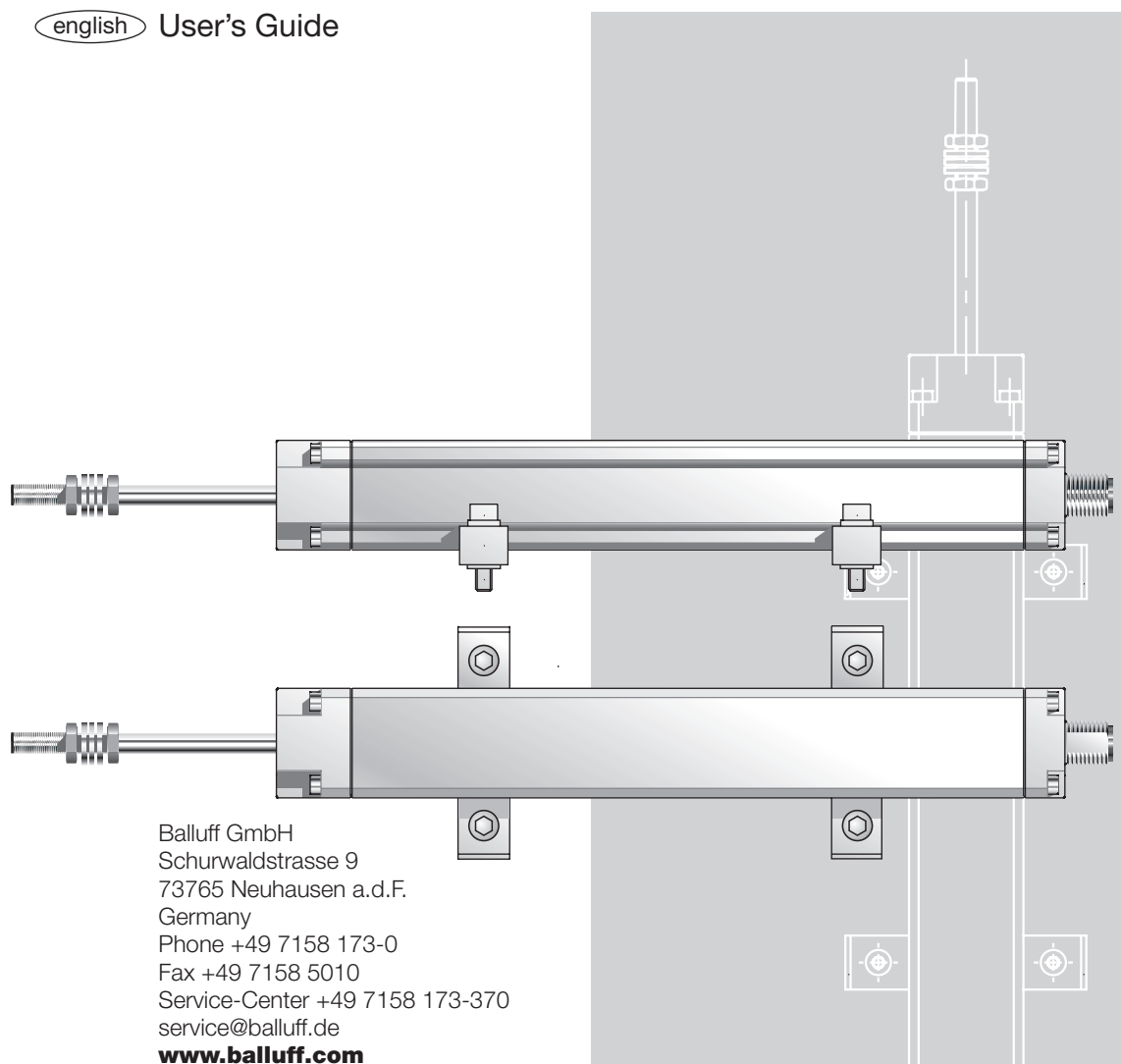


BIW1-A/C/E/G310-M_ _ _ _-P1-S115

english User's Guide



Balluff GmbH
Schurwaldstrasse 9
73765 Neuhausen a.d.F.
Germany
Phone +49 7158 173-0
Fax +49 7158 5010
Service-Center +49 7158 173-370
service@balluff.de
www.balluff.com

Contents

1 Safety Advisory 2
 1.1 Proper application 2
 1.2 Qualified personnel 2
 1.3 Use and inspection 2
 1.4 Scope 2
2 Function and Characteristics 2
 2.1 Characteristics 2
 2.2 Function 2
3 Installation 3
 3.1 Transducer installation 3
4 Wiring 4
5 Startup 6
 5.1 Check connections 6
 5.2 Turning on the system 6
 5.3 Check output values 6
 5.4 Check functionality 6
 5.5 Fault conditions 6
6 Versions (indicated on part label) 6
 6.1 Included in shipment 6
 6.2 Available lengths 6
 6.3 Accessories 6
7 Technical Data 7
 7.1 Supply voltage 7
 7.2 Outputs 7
 7.3 Dimensions, weights, ambient conditions 7

1 Safety Advisory

Read this manual before installing and operating the BIW Transducer.

1.1 Proper application

The BIW transducer is intended to be installed in a machine or system. Together with a controller (PLC) or a processor it comprises a position measuring system and may only be used for this purpose.

Unauthorized modifications and non-permitted usage will result in the loss of warranty and liability claims.

1.2 Qualified personnel

This guide is intended for specialized personnel who will perform the installation and setup of the system.

1.3 Use and inspection

The relevant safety regulations must be followed when using the transducer system. In particular, steps must be taken to ensure that should the transducer system become defective no hazards to persons or

property can result. This includes the installation of additional safety limit switches, emergency shutoff switches and maintaining the permissible ambient conditions.

1.4 Scope

This guide applies to the model BIW1-A/C/E/G transducer.

An overview of the various models can be found in section 6 Versions (indicated on product label) on page 6.

Note: For special versions, which are indicated by an -SA_ _ _ designation in the part number, other technical data may apply (affecting calibration, wiring, dimensions etc.).

2 Function and Characteristics

2.1 Characteristics

BIW transducers feature:

- High resolution and repeatability
- Immunity to shock, vibration and RF fields
- Absolute output signal rising or falling (selectable)
- Guided sensor element
- 32 kHz sampling rate
- Potential-free

The oscillator circuit is excited via the sender/sensor element at a sampling rate of 32 kHz, couples a signal into the receiver sensor element at the momentary position. The position value is immediately available on the output and is an absolute signal.

2.2 Function

The BIW transducer contains a sender/receiver sensor element and an oscillator circuit, sealed in an aluminum extruded housing. The oscillator is attached to a rod which in turn is attached to the moving member of the machine whose position is to be determined.

BIW1-A/C/E/G310-M____-P1-S115 Micropulse Linear Transducer in Profile Housing

3 Installation

3.1 Transducer installation

Any orientation is permitted. Mount the transducer on a level surface of the machine using the mounting brackets. Observe the recommended spacing of the mounting brackets.

1. Align transducer with sliding rod.
2. Tighten mounting screws to a maximum of 2 Nm.

Ensure that no strong electrical fields are present in the immediate vicinity of the transducer.

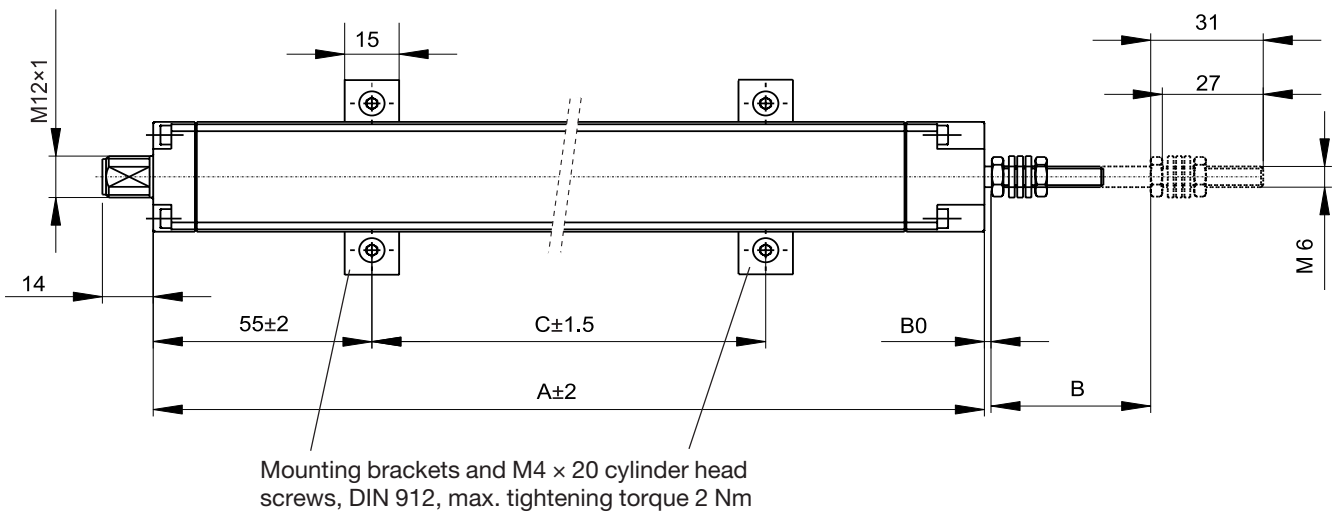
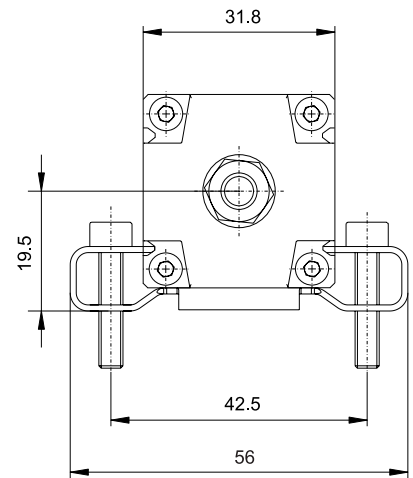


Fig. 3-1: Dimensional drawing (BIW1...P1-S115 transducer)

Housing length	$A = \text{Nominal length} + 100 \text{ mm}$
Mechanical zero point	$B_0 = 0 + 2 \text{ mm}$
Electrical zero point	$B_0 + 5 \text{ mm}$
Electrical stroke = mechanical stroke	$B = \text{Nominal length} + 10 \text{ mm}$
Clamp spacing	
Nominal length $\leq 300 \text{ mm}$	$C = \text{Nominal length} - 20 \text{ mm}$
Nominal length $300 \text{ mm to } \leq 600 \text{ mm}$	$C = \text{Nominal length} - 15 \text{ mm}$
Nominal length $> 600 \text{ mm}$	$C = \text{Nominal length} - 10 \text{ mm}$

Table 3-1: Dimensions

Available nominal lengths
➔ section 6.2

BIW1-...-M0100-P1-S115

Nominal length 100	$A = 200$
	$B = 110$
	$C = 80$

BIW1-...-M0360-P1-S115

Nominal length 360	$A = 460$
	$B = 370$
	$C = 345$

BIW1-...-M0750-P1-S115

Nominal length 750	$A = 850$
	$B = 760$
	$C = 740$

Table 3-2: Examples

BIW1-A/C/E/G310-M...-P1-S115 Micropulse Linear Transducer in Profile Housing

4 Wiring


Pin	BIW1-A310...	BIW1-C310...	BIW1-E310...	BIW1-G310...	Cable BKS
Output signal:					
2	0 V	0 V	0 V	0 V	GY gray
5	0...10 V	0...20 mA	4...20 mA	-10...+10 V	GN green
Supply voltage:					
6	GND				BU blue
7	+24 V DC				BN brown
Output slope:					
1	Output slope -				YE yellow
4	Output slope +				RD red
 <i>Reserved leads must remain unconnected.</i>					
3	Reserved				PK pink
8	Reserved				WH white

Table 4-1: Wiring assignment

Note the following when making electrical connections:



System and control cabinet must be at the same ground potential.

To ensure the electromagnetic compatibility (EMC) which Balluff warrants with the CE Mark, the following instructions must be strictly followed.

BIW transducer and the processor/control must be connected using shielded cable.

Shielding: Copper filament braided, 85% coverage.

The shield must be tied to the connector housing in the BKS connector (➔ Fig. 4-3); see instructions accompanying the connector.

The cable shield must be grounded on the control side, i.e., connected to the protection ground.

Pin assignments can be found in ➔ Table 4-1. Connections on the controller side may vary according to the controller and configuration used.

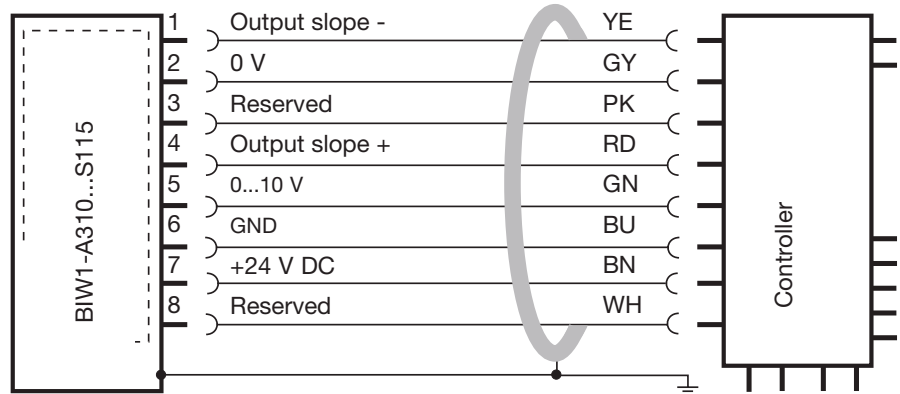


Fig. 4-1: BIW1-A310-M...S115 with controller and BKS-S115-PU05, Connection example

Output slope

To have the output voltage rise starting at the zero point, jumper Pin 4 and Pin 1.

To have the output voltage fall starting at the zero point, leave Pin 4 unconnected.

Once the slope has been selected and applied and the slope selection connections removed, reselecting programs the BIW again with the other slope. This means the slope select connection must remain in place so that it stays the same even after the unit is powered off multiple times.

Note: The slope selection is not applied until the unit is reset or powered off/on.

BIW1-A/C/E/G310-M_ _ _ -P1-S115

Micropulse Linear Transducer in Profile Housing

4 Wiring (cont.)

When routing the cable between the transducer, controller and power supply, avoid proximity to high voltage lines to prevent noise coupling. Especially critical is inductive noise caused by AC harmonics (e.g. from phase-control devices), against which the cable shield provides only limited protection.

Cable length max. A/G 25 m
 C/E 100 m

Ø 6 to 8 mm. Longer lengths may be used if construction, shielding and routing are such that external noise fields will have no effect on signal integrity.

Pin numbering for connector

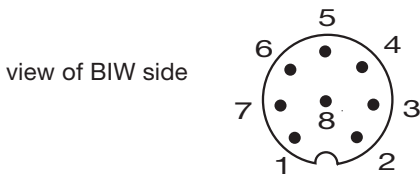


Fig. 4-2: Pin arrangement BKS on BIW

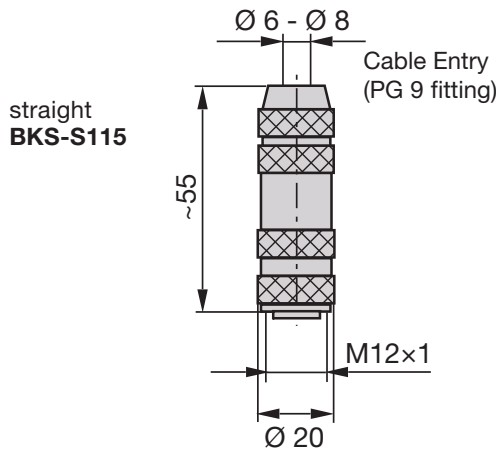
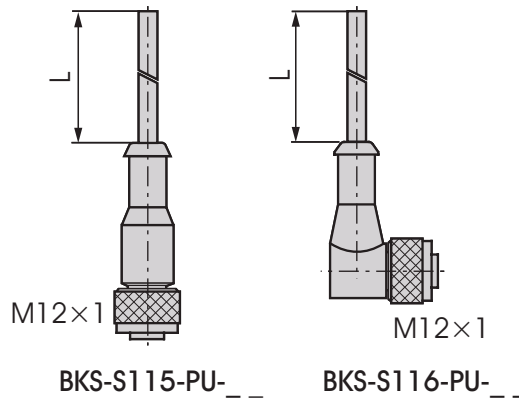


Fig. 4-3: Connector (optional)

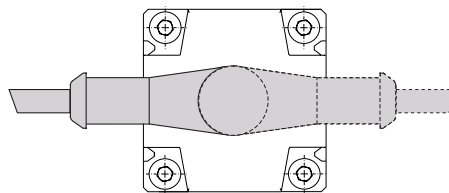


Fig. 4-4: Outgoing cable BKS-S116-PU- _ _

BIW1-A/C/E/G310-M_ _ _ _-P1-S115

Micropulse Linear Transducer in Profile Housing

5 Startup

5.1 Check connections

Although the connections are polarity reversal protected, components can be damaged by improper connections and overvoltage. Before you apply power, check the connections carefully.

5.2 Turning on the system

Note that the system may execute uncontrolled movements when first turned on or when the transducer is part of a closed-loop system whose parameters have not yet been set. Therefore make sure that no hazards could result from these situations.

5.3 Check output values

After replacing or repairing a transducer, it is advisable to verify the values for the start and end position of the sliding rod in manual mode.

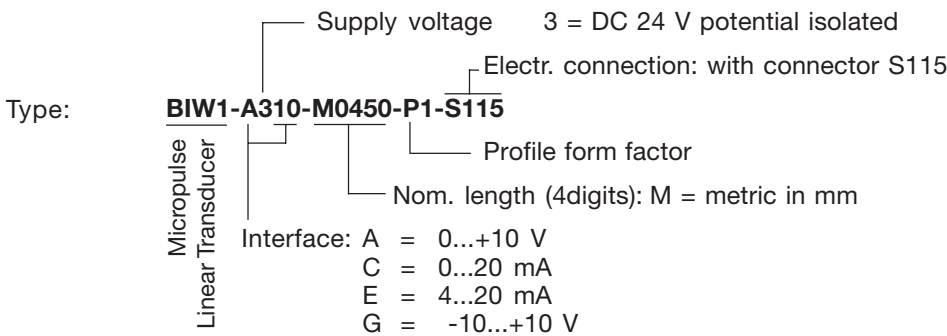
5.4 Check functionality

The functionality of the transducer system and all its associated components should be regularly checked and recorded.

5.5 Fault conditions

When there is evidence that the transducer system is not operating properly, it should be taken out of service and guarded against unauthorized use.

6 Versions (indicated on part label)



Ordering code: **BIW_ _ _ _**

6.1 Included in shipment

Transducer with condensed guide and 2 mounting brackets.

6.2 Available lengths

The following nominal stroke lengths are available:
 0075, 0100, 0130, 0150, 0175, 0225, 260, 0300, 0360, 0375, 0400, 0450, 0500, 0600, 0650, 0750

Other stroke lengths on request.

6.3 Accessories (optional)

Connectors Fig. 4-3
 straight: BKS-S115-PU- _ _
 right angle: BKS-S116-PU- _ _

BIW1-A/C/E/G310-M _ _ _ -P1-S115

Micropulse Linear Transducer in Profile Housing

7 Technical Data

The following are typical values at DC 24 V and room temperature. Fully operational after power-up, with full accuracy after warm-up.

Non-linearity	<± 0.02%
Resolution	
A310	5 µm o. 0,15mV
G310	5 µm o. 0,21mV
C/E310	5 µm o. 0,35µA

Hysteresis	1*resolution
Repeatability	2*resolution
Supply voltage sensitivity	
U_a/U_b	< 0.1 mV/V
Warm-up phase	< 5 min
Temperature coefficient	< 20ppm/K
Shock loading	100 g/6 ms
per EN 60068-2-27 ¹	
Continuous shock	100 g/2 ms
per EN 60068-2-29 ¹	
Vibration	12 g, 10 to 2000 Hz
per EN 60068-2-6 ¹	

¹ Individual specifications as per Balluff factory standard

Enclosure rating
per IEC 60529 IP54

7.1 Supply voltage



(external from Limited Energy Circuit as defined in IEC 61010 or Low Power Source IEC 60950 or Class 2 power supply as defined in NEC or CEC)

Supply Voltage U_b	24 V ±6 V
Current draw	< 80 mA
typical	
Inrush	< 3 A
Polarity reversal protection	built-in
Overtoltage protection	
Transzorb diodes	
Electric strength	500 V DC

7.2 Outputs

Output voltage U_a :	
BIW1-A310-...	0...10 V
BIW1-G310-...	-10...+10 V
Output noise	< 5 mV
Output current	< 6 mA
Output current I_a :	
BIW1-C310-...	0...20 mA
BIW1-E310-...	4...20 mA
Output noise	< 10 µA
Load resistance	≤ 500 Ohm
Sampling rate typ.	32 kHz
	(30...33 kHz)
Short circuit protection	built-in
Cable length	A/G < 25 m
	C/E < 100 m

7.3 Dimensions, weights, ambient conditions

Nominal length	≤ 775 mm
Dimensions	→ page 3
Weight	approx. 1.0 kg/m
Housing	Aluminium
Housing attachment	
Mounting brackets and screws	
max. tightening torque	2 Nm
Operating temp.	-20 °C to +85 °C
Storage temp.	-40 °C to +100 °C
Operating force on rod	
Horizontal	< 10 N
Vertical	< 10 N

The following patents have been granted in connection with this product:

US 2003/0206007 A1;
DE 102 19 678 C1



UL approval
File no.
E227256



The CE Mark verifies that our products meet the requirements of EU Directive

2004/108/EC (EMC Directive)

and the EMC Law. Testing in our EMC Laboratory, which is accredited by DATech for Testing Electromagnetic Compatibility, has confirmed that Balluff products meet the EMC requirements of the following Generic Standards:

EN 61000-6-1 (noise immunity)
EN 61000-6-2 (noise immunity)
EN 61000-6-3 (emission)
EN 61000-6-4 (emission)

and the following product standard:
EN 61326-2-3

Emission tests:

RF Emission
EN 55016-2-3 (industrial and residential area)

Noise immunity tests:

Static electricity (ESD)

EN 61000-4-2 Severity level 3

Electromagnetic fields (RFI)

EN 61000-4-3 Severity level 3

Fast transients (Burst)

EN 61000-4-4 Severity level 3

Surge

EN 61000-4-5 Severity level 2

Line-induced noise induced by high-frequency fields

EN 61000-4-6 Severity level 3

Magnetic fields

EN 61000-4-8 Severity level 4

No. 837 922 - 726 E • Edition 1004; specifications subject to changes. • Replaces edition 0908.