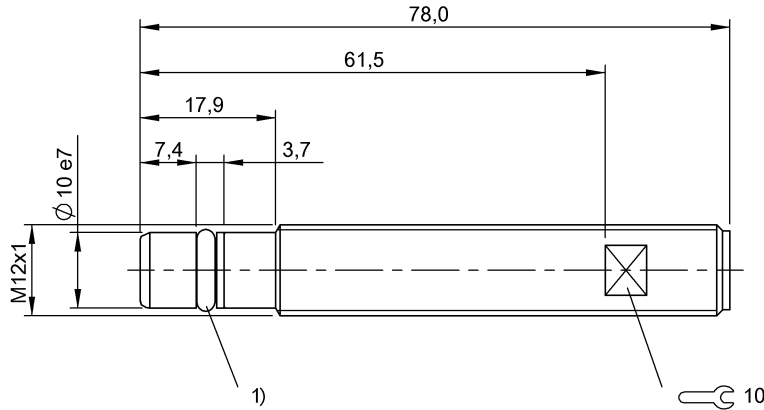


BES 516-300-S135-S4-D-SA97
Ordering code: BHS001M

Inductive sensor
M12x78 mm
High-pressure-rated

DC, direct current
PNP/Normally open (NO)
Sn = 1,5 mm
Flush (shielded)

BALLUFF
sensors worldwide



Characteristic data

Eff. switching distance Sr	1,5 mm
Tolerance Sr	±10 %
Assured operating distance Sa	1,2 mm
Hysteresis H max. (in % of Sr)	15 %
Repeat accur. R max. (% of Sr)	5 %
Ambient temperature	-25...80 °C
Temp. drift max. (% of Sr)	10 %
Switching freq. f max.	1000 Hz
Ready delay tv max.	10 ms
Utilisation category	DC 13
Function indicator	No
Power-on indicator	No
Short-circuit protected	Yes
Degree of protection as per IEC 60529	IP68 according to BWN PR 20
Protected against polarity reversal	Yes
Protected against reverse connection	Yes
Part number sealing ring	636594
Part number thrust ring	705918

Electrical data

Operating voltage	24 V
Rated operating voltage Ue DC	24 V
Ripple max. (% of Ue)	15 %
Voltage drop static max.	1,5 V
Rated insulation voltage Ui	75 DC V
Effective operating current Ie	200 mA
No-load current Io damped	10 mA
No-load current Io undamped	1 mA
Off-state current Ir max.	10 µA

Minimum operating current Im	0 mA
Rated short circuit current	100 A
Output resistance Ra	33.0k + D
Load capacitance max. (at Ue)	0,5 µF
Principle of operation	Inductive

Mechanical data

Housing material	1.4104
Sensing surface material	EP
Sealing ring material	FPM 70
Thrust ring material	PTFE
Tightening torque max.	15 Nm ±10%
Mounting length	43,6 mm
Connection type	Connector
Connector type	M12x1-S04
Pressure resistance	oilpressure-rated to 500 bar
Shock rating	Shock, half-sinus, 30 gn, 11ms
Vibration rating	55 Hz, 1 mm ampl., 3x30 min
Degree of contamination	3
Size sealing ring	5.85 x 2.4
Mounting hi-pressure switches	M12x1

Basic data

Basic standard	IEC 60947-5-2
----------------	---------------

Remarks

The sensor is functional again after the overload has been eliminated.
 With connector, e.g. BKS-S 20-... total length = switch length + 19 mm.
 Installation instructions 614804.



Definitions see main catalog

BES 516-300-S135-S4-D-SA97
Ordering code: BHS001M

Inductive sensor
M12x78 mm
High-pressure-rated

DC, direct current
PNP/Normally open (NO)
Sn = 1,5 mm
Flush (shielded)

BALLUFF
sensors worldwide

subject to change

