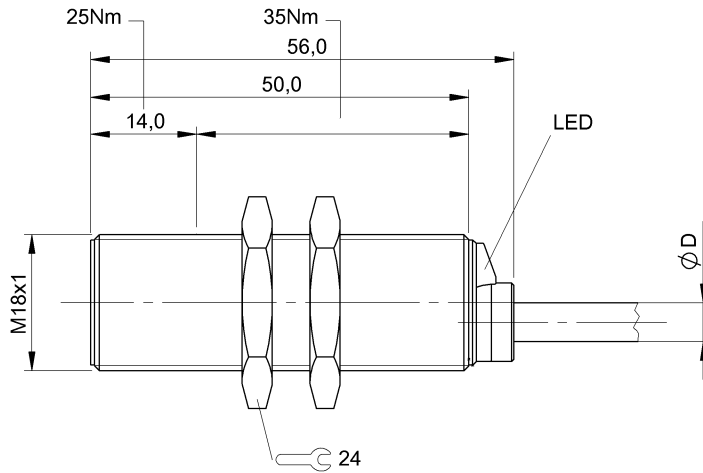


BES M18MI-NSC80B-BV02
Ordering code: BES00FE

Inductive sensor
M18x56 mm
GlobalProx

DC, direct current
NPN/Normally open (NO)
Sn = 8 mm
Flush (shielded)

BALLUFF
sensors worldwide



Characteristic data

| | |
|---------------------------------------|-----------------------------|
| Eff. switching distance Sr | 8 mm |
| Tolerance Sr | ±10 % |
| Assured operating distance Sa | 6,40 mm |
| Hysteresis H max. (in % of Sr) | 15 % |
| Repeat accur. R max. (% of Sr) | 5 % |
| Ambient temperature | -25...70 °C |
| Temp. drift max. (% of Sr) | 10% |
| Switching freq. f max. | 150 Hz |
| Ready delay tv max. | 30 ms |
| Utilisation category | DC 13 |
| Function indicator | Yes |
| Power-on indicator | No |
| Short-circuit protected | Yes |
| Degree of protection as per IEC 60529 | IP68 according to BWN PR 20 |
| Protection class | II |
| Protected against polarity reversal | Yes |
| Protected against reverse connection | Yes |

Electrical data

| | |
|--------------------------------|----------|
| Operating voltage | |
| Rated operating voltage Ue DC | 24 V |
| Ripple max. (% of Ue) | 15 % |
| Voltage drop static max. | 2,5 V |
| Rated insulation voltage Ui | 250 AC V |
| Effective operating current Ie | 200 mA |
| No-load current Io damped | 15 mA |
| No-load current Io undamped | 8 mA |
| Off-state current Ir max. | 20 µA |
| Minimum operating current Im | 0 mA |

| | |
|-------------------------------|-----------|
| Rated short circuit current | 100 A |
| Output resistance Ra | 33,0k + D |
| Load capacitance max. (at Ue) | 1 µF |
| Principle of operation | Inductive |

Mechanical data

| | |
|--------------------------|--------------------------------|
| Housing material | CuZn |
| Surface protection | Nickel-plated |
| Sensing surface material | PA 12 |
| Tightening torque max. | 25 Nm / 35 Nm |
| Mounting length | 50 mm |
| Connection type | Cable |
| Cable jacket material | PVC |
| Cable diameter D max. | 4,6 mm |
| Cable short designation | LiY-Y-O |
| Cable length | 2 m |
| Number of conductors | 3 |
| Conductor cross-section | 0,34 mm ² |
| Shock rating | Shock, half-sinus, 30 gn, 11ms |
| Vibration rating | 55 Hz, 1 mm ampl., 3x30 min |
| Degree of contamination | 3 |

Basic data

| | |
|----------------|---------------|
| Basic standard | IEC 60947-5-2 |
|----------------|---------------|

Remarks

The sensor is functional again after the overload has been eliminated.
Embeddable: See installation notes for inductive sensors with extended switching distance 825357.



Definitions see main catalog

BES M18MI-NSC80B-BV02
Ordering code: BES00FE

Inductive sensor
M18x56 mm
GlobalProx

DC, direct current
NPN/Normally open (NO)
Sn = 8 mm
Flush (shielded)

BALLUFF
sensors worldwide

subject to change

