

1) Active surface 2) Housing 3) Top cover 4) Power indicator green 5) Function indicator yellow

- PNP
- Normally open (NO)
- Flush (shielded)
- Cable, PUR, 2.00 m
- switching distance teachable



General attributes

Approvals / Conformity	CE UL Listed
Basic standard	IEC 60947-5-2
Enclosure Type per IEC 60529	IP67
Function indicator	Yes
Polarity reversal protected	Yes
Power indicator	Yes
Scope of delivery	1 installation guide 1 holder
Setting	teachable
Short circuit protected	Yes
Trademark	GLOBAL
MTTF	98 a

Electrical attributes

Connection type	Cable
Eff. operating current I _e	50 mA
Eff. operating voltage U _e DC	24.0 V
Electrical version	DC, direct current
Load capacitance max. (at U _e)	0.330 µF
Operating voltage U _B max. DC [V]	30.0 V
Operating voltage U _B min. DC [V]	12.0 V
Rated insulation voltage U _i	75 V DC
Ripple max. (% of U _e)	10 %
Sensitivity	switching distance teachable
Switching freq. f max. (at U _e)	50 Hz
Switching function	Normally open (NO)
Switching output	PNP
Voltage drop static max.	1.5 V

Mechanical attributes

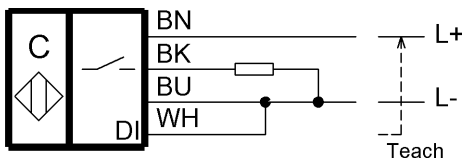
Ambient temperature T _a max.	70 °C
Ambient temperature T _a min.	-25 °C
Cable diameter D max.	3.4 mm
Cable jacket material	PUR
Cable length L [m]	2.00 m
Conductor cross-section	0.14 mm ²
Depth	8.0 mm
Eff. operating distance S _r	8.0 mm
Height (small side)	16.0 mm
Housing material	PP
Mech. installation condition	Flush (shielded)
Number of conductors	4
Sensing face material	PP
Storage temperature max.	+85 °C
Storage temperature min.	-25 °C
Tightening torque	0.2 Nm

Remarks

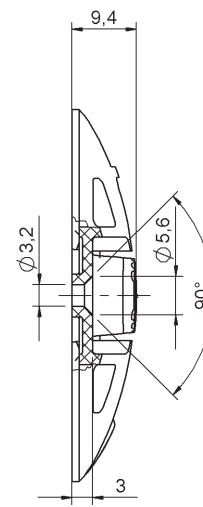
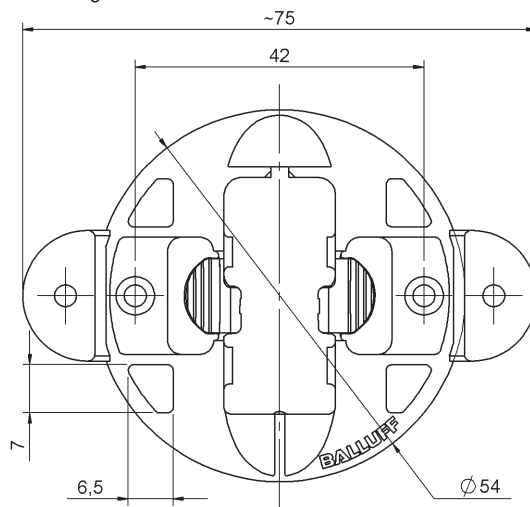
For full-Teach connect Input DI for 2..7 seconds to L+. Connect inputDI for 7..12 seconds to L+ for Empty-Teach.
Input DI can be used for teaching of the switchpoint. For normal operation connect input DI permanently to L-.

For further information on MTTF/B10d, please refer to the MTTF / B10d Certificate.

Specification of the MTTF value and the B10d value do not represent any binding quality and/or life expectancy guarantees.



Zubehör - Halter
Accessories - Mounting frame



Werkstoff Halter: PP
Material mounting frame: PP