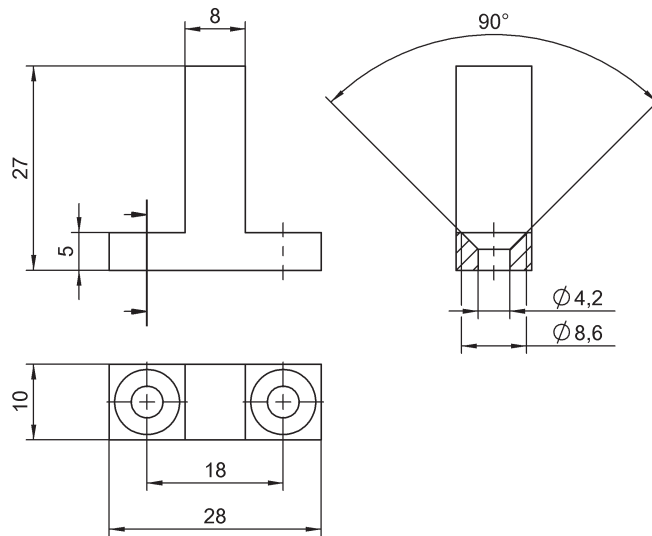


Target (Cross applicable)

BAM TG-XE-001
BAM01CP



- Target (Cross applicable)
- The target object is used as a damping element for electronic sensors.
- 1.7131

■ Ni-free coating

General attributes

Application

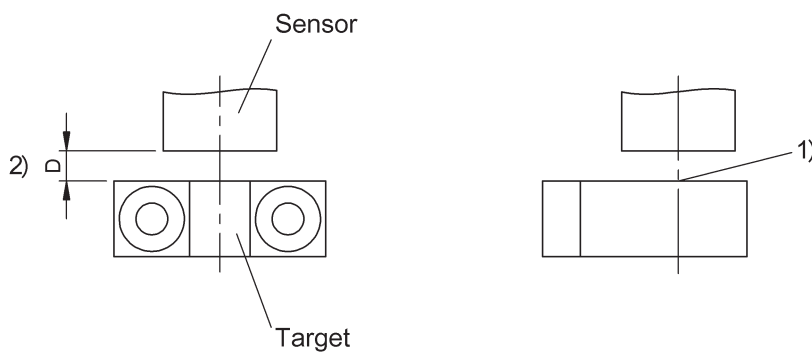
The target object is used as a damping element for electronic sensors.

Mechanical attributes

Depth
Material
Surface protection
Width

10.0 mm
1.7131
Ni-free coating
28.0 mm

Electrical attributes



1) Positioning of target 2) See sensor specification