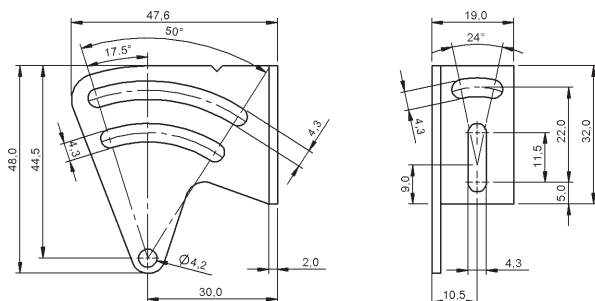


Mount. bracket for opt. sensor

BOS 26-HW-1
BAM00TK

BALLUFF
sensors worldwide



- Mount. bracket for opt. sensor
- 2 adjustable axes
- MB-XO

- Use with series 26K
- Use with series 25K
- Use with series 21M
- Steel
- Zinc plated

General attributes

Application

Scope of delivery

Series

Use with series 26K
Use with series 25K
Use with series 21M
Screw ISO 1580-M4x25 (2x)
Washer ISO 7089-M4 (4x)
Nut ISO 4032-M4 (2x)
Mounting bracket (1x)
MB-XO

Electrical attributes

Mechanical attributes

Length 1 19.0 mm
Length 2 47.6 mm
Length 3 48.0 mm
Material Steel
Mounting type Screw M4
Surface protection Zinc plated
Version 2 adjustable axes