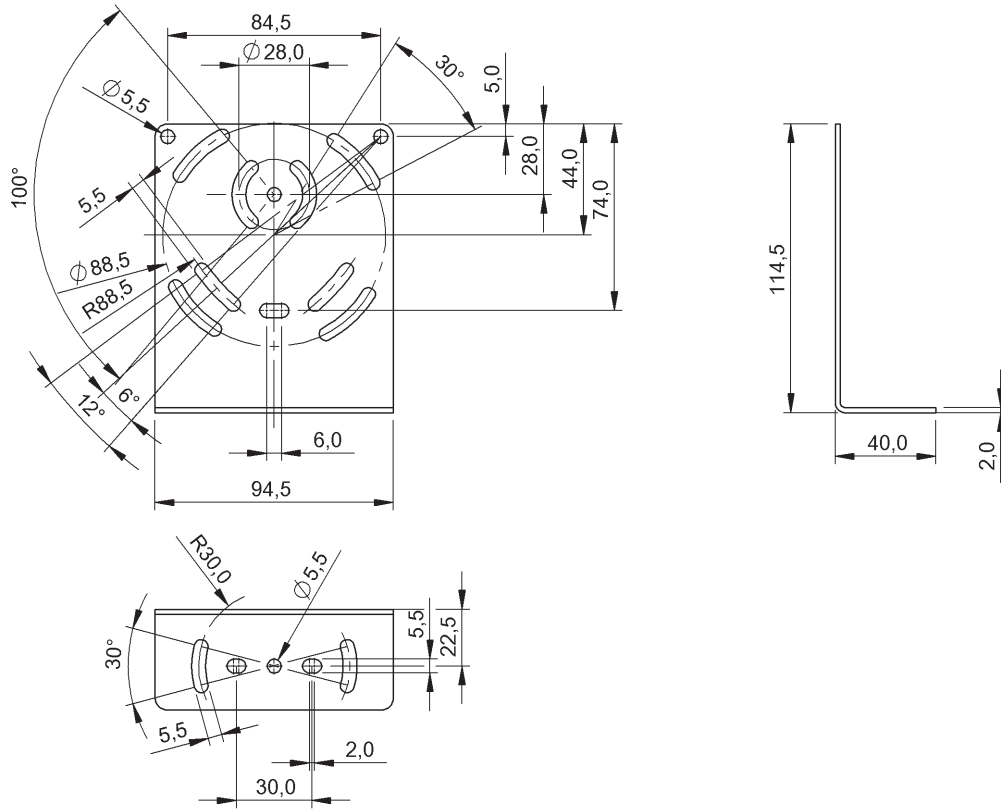


Mount. bracket for opt. sensor

BOD 63-HW-1
BAM00P6

BALLUFF

sensors worldwide



- Mount. bracket for opt. sensor
- 2 adjustable axes
- MB-XO
- Use with series 63M
- Steel

■ Zinc plated

General attributes

Application
Scope of delivery

Series

Electrical attributes

Use with series 63M
Screw ISO 4762-M5x16 (2x)
Washer DIN 6797A-M5 (2x)
Mounting bracket (1x)
MB-XO

Mechanical attributes

Length 1	40.0 mm
Length 2	114.5 mm
Length 3	94.5 mm
Material	Steel
Mounting type	Screw M5
Surface protection	Zinc plated
Version	2 adjustable axes