

### General data

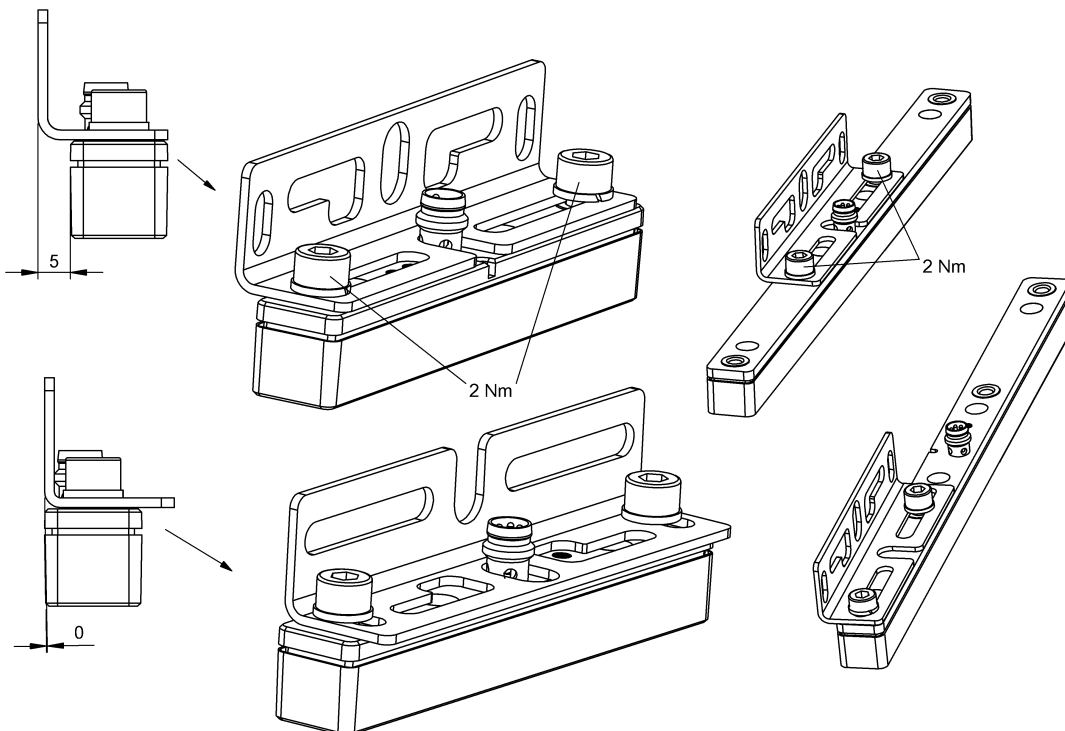
Use with sensor BIL...

### Material

Material Stainless steel

### Mechanical data

Dimension 20 x 20 x 90 mm  
 Fastening detail Cylinder head screw ISO 4762  
 M5x10-A2  
 Spring washer DIN 127-B5-A2  
 Tightening torque 2 Nm



Fastening Technology  
BIL 01-HW-3  
Ordercode: BAM00K6

**BALLUFF**