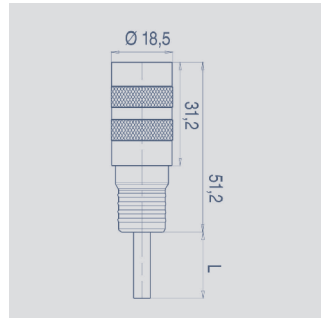
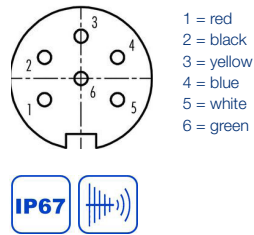


Accessories
Connector system M16



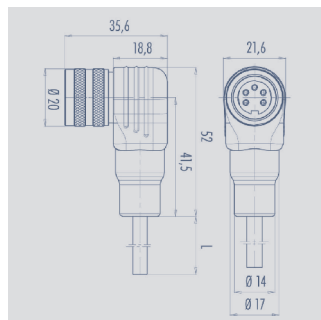
Pin assignment



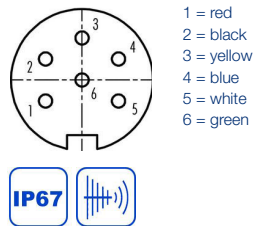
M16x0.75 Mating female connector, 6-pin, straight, with molded cable, 2 m length, shielded, IP67, open ended

Connector housing	PUR
Cable sheath	PUR; Ø max. 6 mm, -5...+70 °C (moved) -20...+70 °C (fixed)
Wires	PVC, 6 x 0.25 mm ²
Type EEM 33-26, P/N 056126	

This coupling can be used in combination with 5-pin M16 connectors. Than „pin 6 / green“ is open.



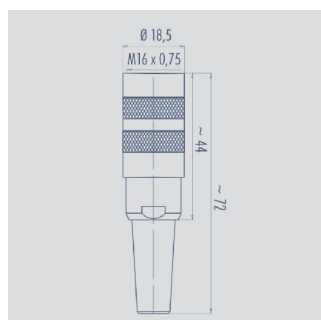
Pin assignment



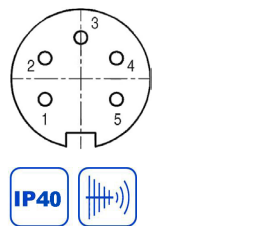
M16x0.75 Mating female connector, 6-pin, angled, with molded cable, 2 m length, shielded, IP67, open ended

Connector housing	PUR
Cable sheath	PUR; Ø max. 6 mm, -5...+70 °C (moved) -20...+70 °C (fixed)
Wires	PVC, 6 x 0.25 mm ²
Type EEM 33-27, P/N 056127	

This coupling can be used in combination with 5-pin M16 connectors. Than „pin 6 / green“ is open.

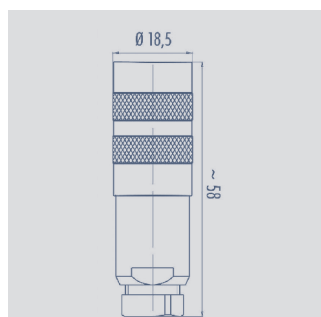


Pin assignment

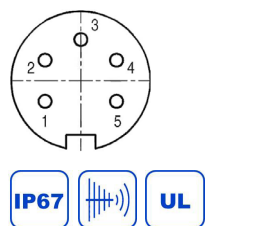


M16x0.75 Mating female connector, 5-pin, straight, with coupling nut, solder terminal, IP40, shielded

Connector housing	CuZn (Brass, nickel plated) -40 °C... +85 °C
For wire gauge	4...6 mm, max. 0.75 mm ²
Type EEM 33-71, P/N 005612	



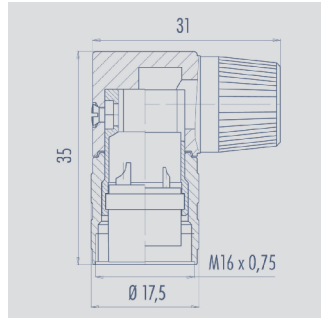
Pin assignment



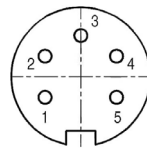
M16x0.75 Mating female connector, 5-pin, straight, with coupling nut, solder terminal, IP67, shielded

Connector housing	CuZn (Brass, nickel plated) -40 °C... +95 °C
For wire gauge	4...6 mm, PG7 max. 0.75 mm ²
Type EEM 33-76, P/N 005614	

Accessories
Connector system M16



Pin assignment



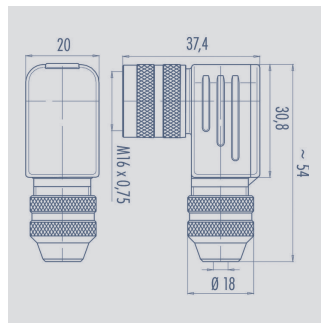
IP40

M16x0.75 Mating female connector, 5-pin, angled, with coupling nut, solder terminal, IP40, not shielded

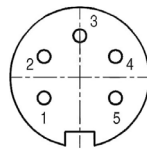
Connector housing Plastic PA
-40 °C... +85 °C

For wire gauge 6...8 mm,
max. 0.75 mm²

Type EEM 33-72, P/N 005613



Pin assignment



IP67



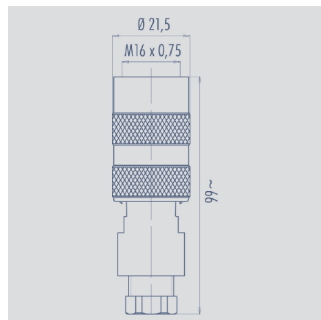
UL

M16x0.75 Mating female connector, 5-pin, angled, with coupling nut, solder terminal, IP67, shielded

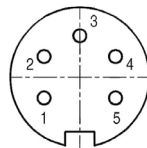
Connector housing CuZn
(Brass, nickel plated)
-40 °C... +95 °C

For wire gauge 4...6 mm, PG 7
max. 0.75 mm²

Type EEM 33-77, P/N 005615



Pin assignment



IP67

M16x0.75 Mating female connector, 5-pin, straight, with coupling nut, solder terminal, IP67, not shielded

Connector housing Plastic PA
-40 °C... +95 °C

For wire gauge 4...6 mm,
max. 0.75 mm²

Type EEM 33-70, P/N 005611

IP40 Protection class IP40
(DIN EN60529)

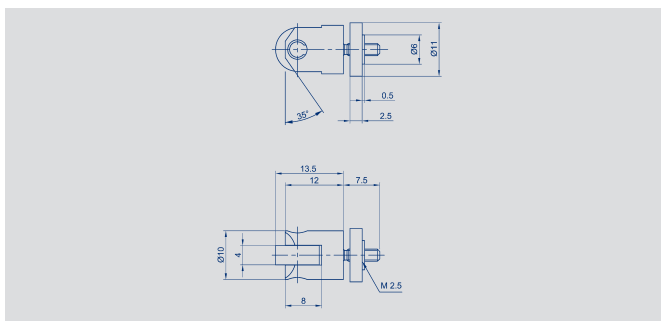
IP67 Protection class IP67
(DIN EN60529)

 Very good Electromagnetic Compatibility (EMC) and shielded systems

UL UL - approved

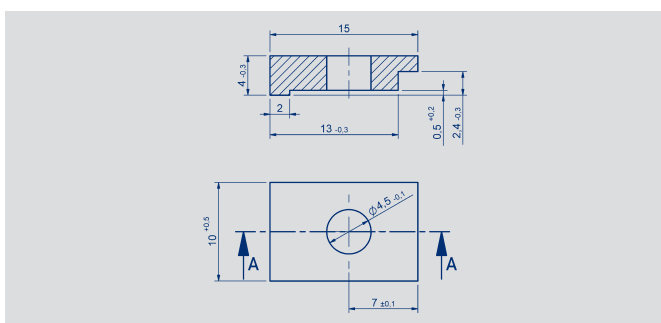
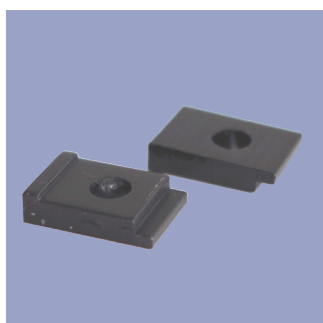
Note: The protection class is valid only in locked position with its plugs. The application of these products in harsh environments must be checked in particular cases.

Accessories
Sensor mounting
Signal processing



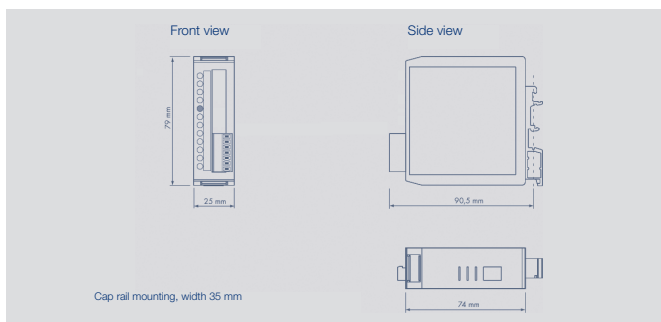
Roller head, hardened steel.
Mounting via external thread M2.5 at push rod. Lock with knurled screw.

Type Z-R50, P/N 005678



Clamps
4 single clamps, anodized aluminum, with screw M4x10 - 4.8 tinned, for lower total height

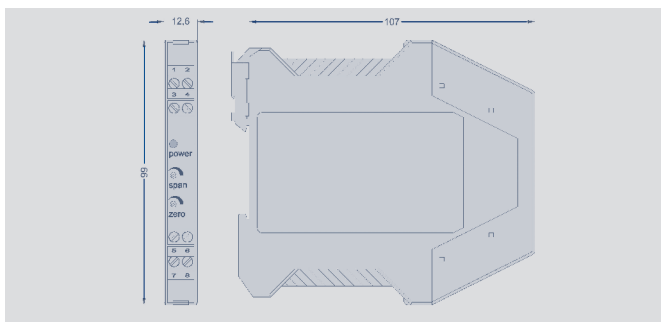
Type Z-FTI-B01, P/N 059010



Signal conditioner
Cost-efficient basic version with fixed output range, voltage or current output. Not adjustable.

Type MUP-080, P/N 05422x

Detailed data see separate
Data sheet MUP-080



Signal conditioner
Voltage or current output, adjustable zero and span. Available with or without electrical isolation. Compact size.

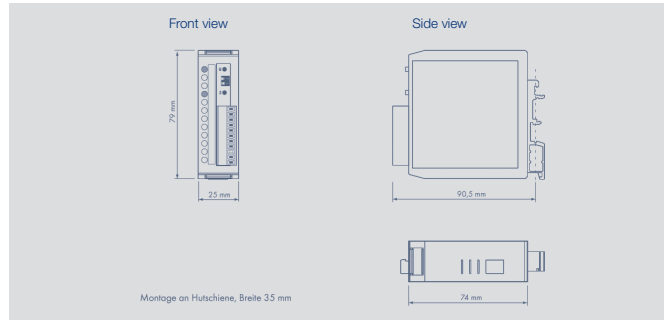
Type MUP-110-x, P/N 05401x
Type MUP-160-x, P/N 05406x

Detailed data see separate
Data sheet MUP-110_160

Novotechnik
Messwertaufnehmer OHG
Postfach 4220
73745 Ostfildern (Ruit)
Horbstraße 12
73760 Ostfildern (Ruit)
Telefon +49 711 4489-0
Telefax +49 711 4489-118
info@novotechnik.de
www.novotechnik.de



© 05/2017
Printed in Germany

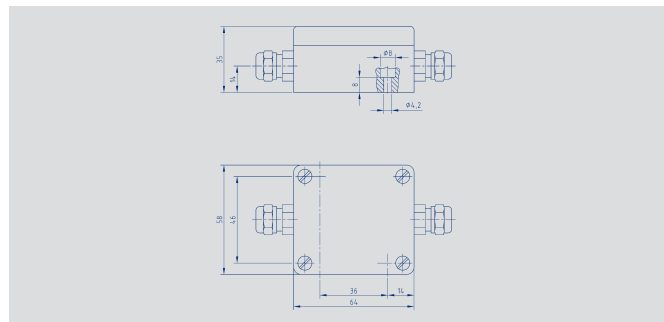
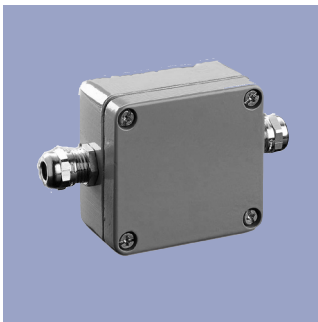


Signal conditioner

Simple teach-in function to adapt start and end point. Switchable current or voltage output.

Type MUP-400, P/N 05420x

Detailed data see separate
Data sheet MUP-400

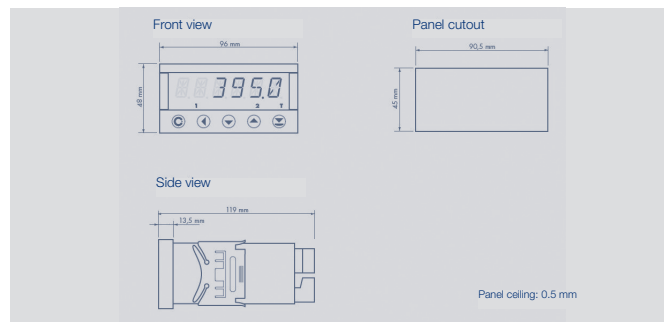


Signal conditioner

Electronics inside robust housing even for outside use. Zero point and span adjustable.

Type MUK-350, P/N 05417x

Detailed data see separate
Data sheet MUK-350



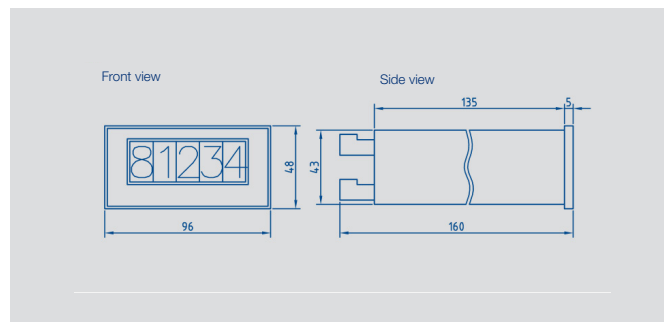
Multifunction Display

Microprocessor-controlled measuring devices for direct connection of potentiometric sensors or sensors with standardized analog output signals.

- accuracy up to 0.1 %
- display range -99 999...999 999
- good cost/value ratio

Type MAP-40 _ _ _ _ _

Detailed data see separate
Data sheet MAP-4000



Multifunction displays

Microprocessor-controlled measuring devices with galvanic isolation for direct connection of potentiometric sensors or sensors with standardized analog output signals.

- accuracy up to 0.01 %
- display range -9 999...40 000

Type MAP-3(4) _ _ _ _ _

Detailed data see separate
Data sheet MAP-300/400

The specifications contained in our datasheets are intended solely for informational purposes. The documented specification values are based on ideal operational and environmental conditions and can vary significantly depending on the actual customer application. Using our products at or close to one or more of the specified performance ranges can lead to limitations regarding other performance parameters. It is therefore necessary that the end user verifies relevant performance parameters in the intended application. We reserve the right to change product specifications without notice.