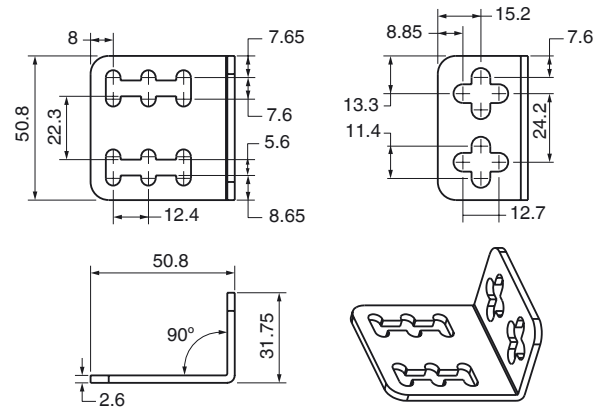




Dimensions



Model Number

OMH-DK

Right-Angled Mounting Bracket

Features

- Mounting bracket

Technical data

Mechanical specifications

Material	Stainless steel 1.4305 / AISI 303
Mass	91 g

Suitable series

Series	DK10, DK20, DK21, DK34, DK35
--------	------------------------------