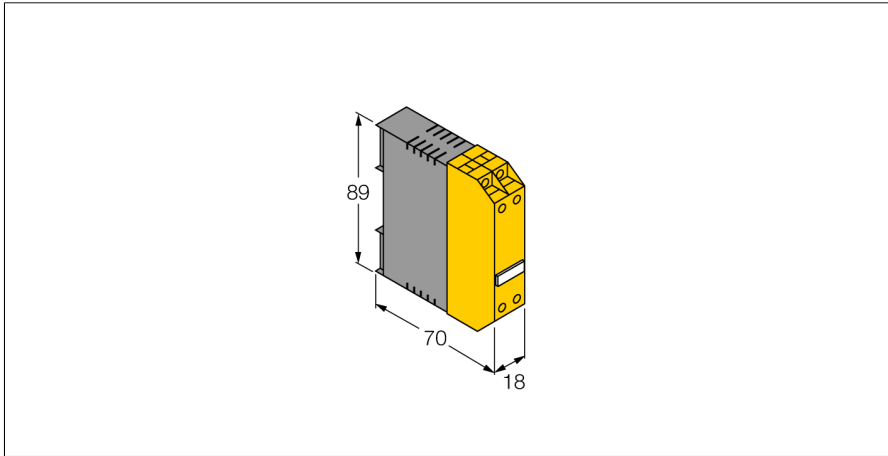
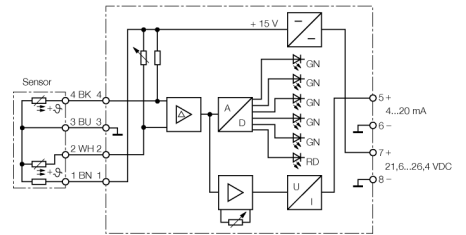


Flow monitoring
MK96 for flow sensors
MK96-LI01



- For connection of a standard flow sensor
- Adjustment via potentiometer
- 6 LEDs for display of the flow state
- 2-wire DC, 19.2...28.8 VDC
- 4...20 mA analog output

Wiring Diagram



Functional principle

Signal processors not only supply insertion and inline sensors with voltage, they also process and display the measured signals. Devices with MK96..., MS96... and MC96... housing styles are available. The individual housing styles are designed for different operating voltages and feature various output and supplementary functions. For intrinsically safe flow sensors it is required to use signal processors with intrinsically safe control circuits of the series MS96...Ex... and MC96...Ex...

Type designation	MK96-LI01
Ident-No.	7525004
Ambient temperature	-20...+60 °C
Operating voltage	19.2...28.8 VDC
Current consumption	≤ 100 mA
Output function	Analog output
Current output	4...20 mA
Protection class	IP20
Protection class (terminals/housing)	IP20 / IP40
Design	Signal processor
Dimensions	70 x 18 x 89 mm
Housing material	Polycarbonate/ABS
Electrical connection	Terminal chamber
Flow state display	LED chain, red (1x), yellow (1x), green (4x)
LED display	red = 4 mA yellow > 4 mA 1x green > 8 mA 2x green > 12 mA 3x green > 16 mA 4x green = 20 mA