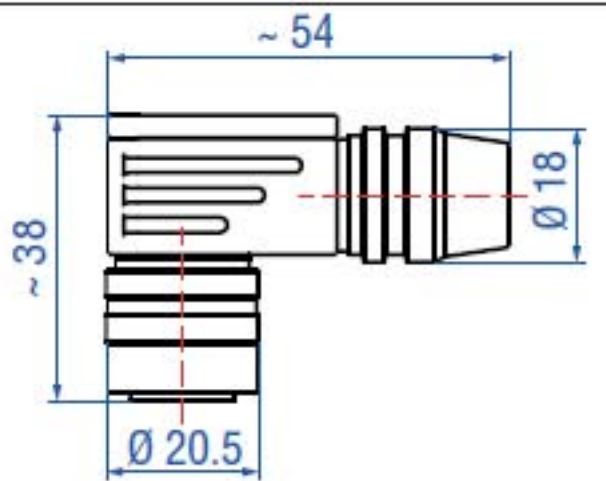


Female, angled, 7 pin

560 779



Housing: zinc nickel plated

Termination: solder

Contact insert: silver plated

Cable Ø: 6...8 mm

RD4

RF

RH

RP

GB

D70