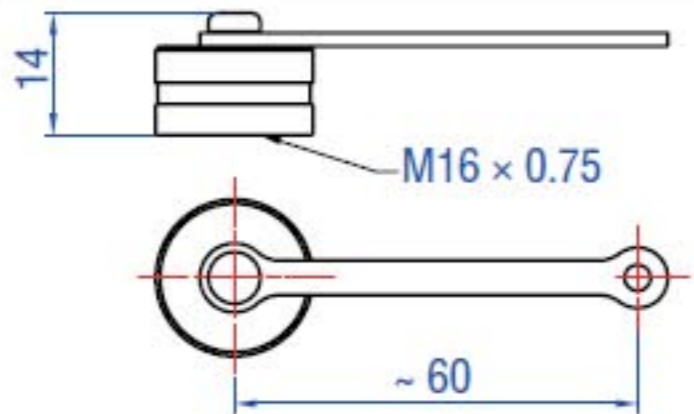


**Metal protection cap
for connector M16**

403 290



Material: brass, nickel plated

RD4

GB

D60

RF

GH

D62

RH

GP

D63

RP

D70