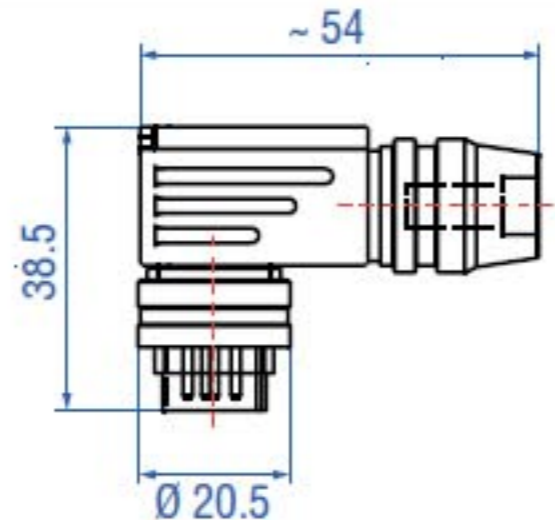


Male, angled, 6 pin

370 621



Housing: zinc nickel plated

Termination: solder

Contact insert: silver plated

Cable Ø: 6...8 mm

RD4

RF

RH

RP

D63