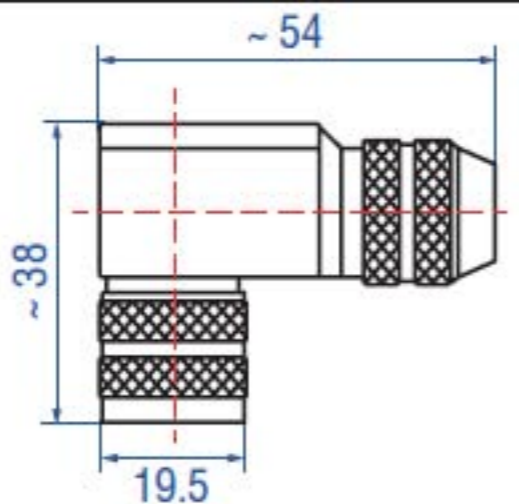


Female, angled, 6 pin

370 460



Housing: zinc nickel plated

Termination: solder

Contact insert: silver plated

Cable Ø: 6...8 mm

RD4

GB

D60

RF

GH

D62

RH

GP

D63

RP

GT