



Model Number

IQC33-30 25pcs

Data carrier

Features

- Operating frequency 13.56 MHz
- Conforms to ISO 15693
- 64 bit Fixcode
- 2000 bytes memory available
- Unlimited writeable
- Degree of protection IP68
- Readable and writable from both sides
- Mounting holes for simple installation

Accessories

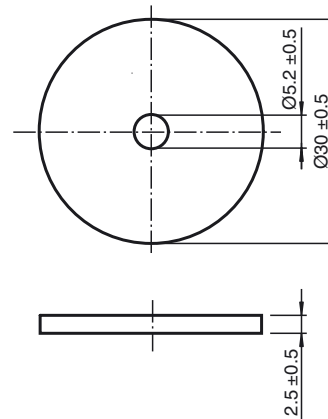
ICZ-MH30-10-T10

Spacers for code/data carrier

ICZ-MH30-25-T10

Spacers for code/data carrier

Dimensions



Technical data

General specifications

Operating frequency	13.56 MHz
Transfer rate	26 kBit/s

Memory

Chip Type	FRAM MB89R118 (Fujitsu)
FRAM	16 kBit
UID	64 Bit
Memory organization	8 bytes/block
Read cycles	unlimited
Write cycles	unlimited
Data retention period	10 years

Standard conformity

Degree of protection	EN 60529
RFID	ISO/IEC 15693-1:2010 , ISO/IEC 15693-2:2006 , ISO/IEC 15693-3:2009 , ISO/IEC 18000-3

Ambient conditions

Ambient temperature	-40 ... 90 °C (-40 ... 194 °F)
Storage temperature	-40 ... 120 °C (-40 ... 248 °F) 120 °C (248 °F) for 72 hours

Mechanical specifications

Degree of protection	IP68
Material	
Housing	PA 6
Installation	
In air	yes
Mass	3 g
Construction type	Cylindrical
Note	Packaging unit, 25-piece

Notes

The transponder can be read and written from either side.

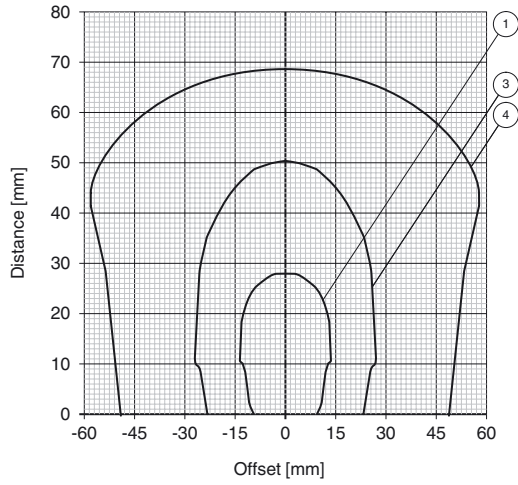
Notes

High temperatures will cause the housing to expand.
If the housing is assembled under mechanical stress, the resulting pressure may damage the tag.
Install the tag loosely to allow for expansion due to high temperatures.

Read/write distances

- ① IQH1-18GM-V1 ② IQH1-F61-V1 ③ IQH1-FP-V1
- ④ IQH1-F15-V1

Reading range in air IQC33-30



Release date: 2019-01-24 10:22 Date of issue: 2019-01-25 288645_eng.xml