



**Model Number**

LFL2-BK-U-PUR5-EMS

**Features**

- **Switch element: Micro switch, mercury-free**
- **Limit value detection for fluids**
- **Ball design: high buoyancy**

**Description**

The microswitch (change-over contact) is integrated in a PP float and is activated in the event of deviations from the horizontal position. The switching ball in the float, which moves along an axis, activates the microswitch.

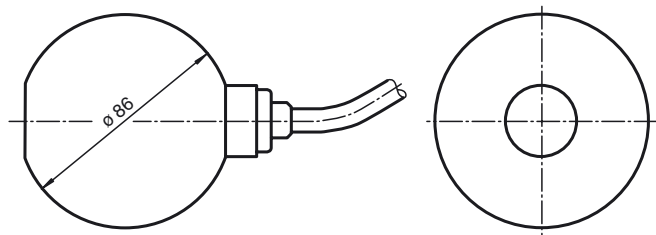
**Accessories**

- LFL-Z132-EMS**  
Gland screw connection
- LFL-Z32-EMS**  
Ballast weight for float switch

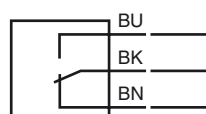
**Technical Data**

<b>Electrical specifications</b>		
Contact loading	250 V AC/3 A; 150 V DC/0.25 A resistive load; 60 V DC/1 A resistive load	
Rated insulation voltage	300 V	
Pulse withstand voltage	4 kV	
Electrical life	≥ 5 x 10 <sup>4</sup> switching cycles	
<b>Directive conformity</b>		
Low voltage	Directive 2014/35/EU EN 60947-5-1:2004 + Cor.:2005 + A1:2009	
<b>Conformity</b>		
Degree of protection	IEC 60529:2001	
<b>Application</b>		
Description	microswitch with switching ball, change-over contact	
<b>Function and system design</b>		
Equipment architecture	This device may be used with any sequential circuit, as long as the circuit can support the electrical circuit values of the switching elements.	
<b>Operating conditions</b>		
<b>Installation conditions</b>		
Installation instructions	range of application and minimum length between mounting and float: ≥ 100 mm (4 inch), preferred for fuels, heating oils, oily fluids mounting: The float switch is mounted by means of a counter weight or rods (e. g. float switch combination) from the top. The pivot of the cable should always be horizontal.	
<b>Process conditions</b>		
Process pressure (static pressure)	≤ 2 bar (29 psi) at 20 °C (68 °F)	
Density	≥ 0.6 g/cm <sup>3</sup>	
<b>Ambient conditions</b>		
Ambient temperature	5 ... 70 °C (41 ... 158 °F)	
Storage temperature	-25 ... 70 °C (-13 ... 158 °F)	
Altitude	≤ 2000 m above MSL	
<b>Mechanical specifications</b>		
Degree of protection	IP68	
<b>Cable</b>		
Length	L	5 m
<b>Mechanical construction</b>		
Material	float: PP (Polypropylene) cable: PUR, highly flexible (3 x 0.50 mm <sup>2</sup> )	
Switching point	switch angle, measured against the horizontal: - upper switch point +25° ±10° - lower switch point -14° ±10°	
<b>General information</b>		
Supplementary information	Statement of Conformity, Declaration of Conformity, Attestation of Conformity and instructions have to be observed where applicable. For information see <a href="http://www.pepperl-fuchs.com">www.pepperl-fuchs.com</a> .	

**Dimensions**



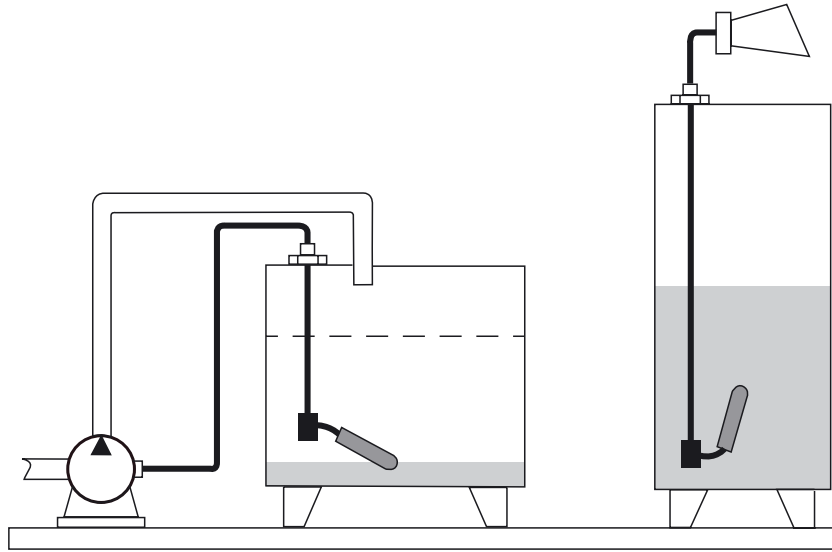
**Electrical Connection**



Release date: 2017-11-15 11:12 Date of issue: 2017-11-15 262202\_eng.xml

### Application

Controlling pumps and valves with one switch or signal level height or limit



### Mounting

Mount the float switch in the following way:

- Insert the float switch into the tank through a tapped hole G1A.
- Screw the float switch with the gland screw connection G1A.
- If it is installed from above, use the counter weight LFL-Z32 or LFL-Z33 for mounting.



- *The fulcrum of the cable should always be horizontal.*
- ⓘ *The cable length between the fixture and the floating body is dependent on the cable type.*
- When using the counter weight, place an extra strain relief (e. g. a knot in the cable) behind the gland screw connection – on the outside of the tank.*

Release date: 2017-11-15 11:12 Date of issue: 2017-11-15 262202\_eng.xml