



Model Number

OMH-LS610-05

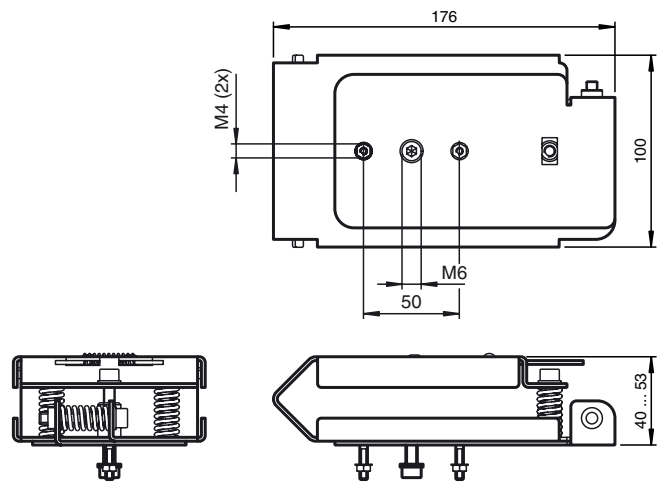
Mounting bracket for optical data coupler and distance measurement devices

Features

- Fixing with latching spring or latch fastener for easy installation
- Simple and fast mounting

Quick clamp and adjustment system

Dimensions



Technical data

Mechanical specifications

Material	Zinc plated steel , black
Mass	approx. 900 g

Suitable series

Series	LS610 LS611 VDM100 LS680 , LS682
--------	---